

GENERAL NOTES:

PROJECT REQUIREMENTS:

*PREMIUM GRADE

*NON-FSC

*NON-LEED

*F.R. MATERIAL

*AWI # 16.0266



KARN CUSTOM WOODWORK
A QCP ACCREDITED FIRM

MONTPELIER CLAUDE MOORE HALL

MONTPELIER FOUNDATION
13384 LAUNDRY ROAD
MONTPELIER STATION
VIRGINIA, 22957

GRADE REQUIREMENTS CUSTOM PREMIUM ONLY FOR TRANSPARENT FINISHING

MANUFACTURE FIRM: KARN CUSTOM WOODWORK
1500 CHAMBERLAYNE AVE. RICHMOND VA, 23220

ARCHITECTURE: BARTZEN+BALL
414 WEST FRANKLIN STREET
RICHMOND, VA 23220
PHONE: 804.344.4405
FAX: . 804.344.4406

CONTRACTOR FIRM: KJELLSTROM & LEE
PHONE:
FAX:

INSTALLER FIRM: KARN CUSTOM WOODWORK
1500 CHAMBERLAYNE AVE.
RICHMOND VA, 23222
PHONE: 804.213.0300
FAX: 804.213.0005

FINISHER FIRM: KARN CUSTOM WOODWORK
1500 CHAMBERLAYNE AVE.
RICHMOND VA, 23222
PHONE: 804.213.0300
FAX: 804.213.0005

Names and Logos displayed on these drawings belong to there respective owners.



1500 CHAMBERLAYNE AVE.
Richmond, Virginia 23222
804 - 213 - 0300
804 - 213 - 0005 (FAX)
www.karncustomwoodwork.com

KARN CUSTOM WOODWORK

03/26/2016 SUBMITTAL

1 DATE 2
2 DATE 3
3 DATE 4
4

REVISIONS:

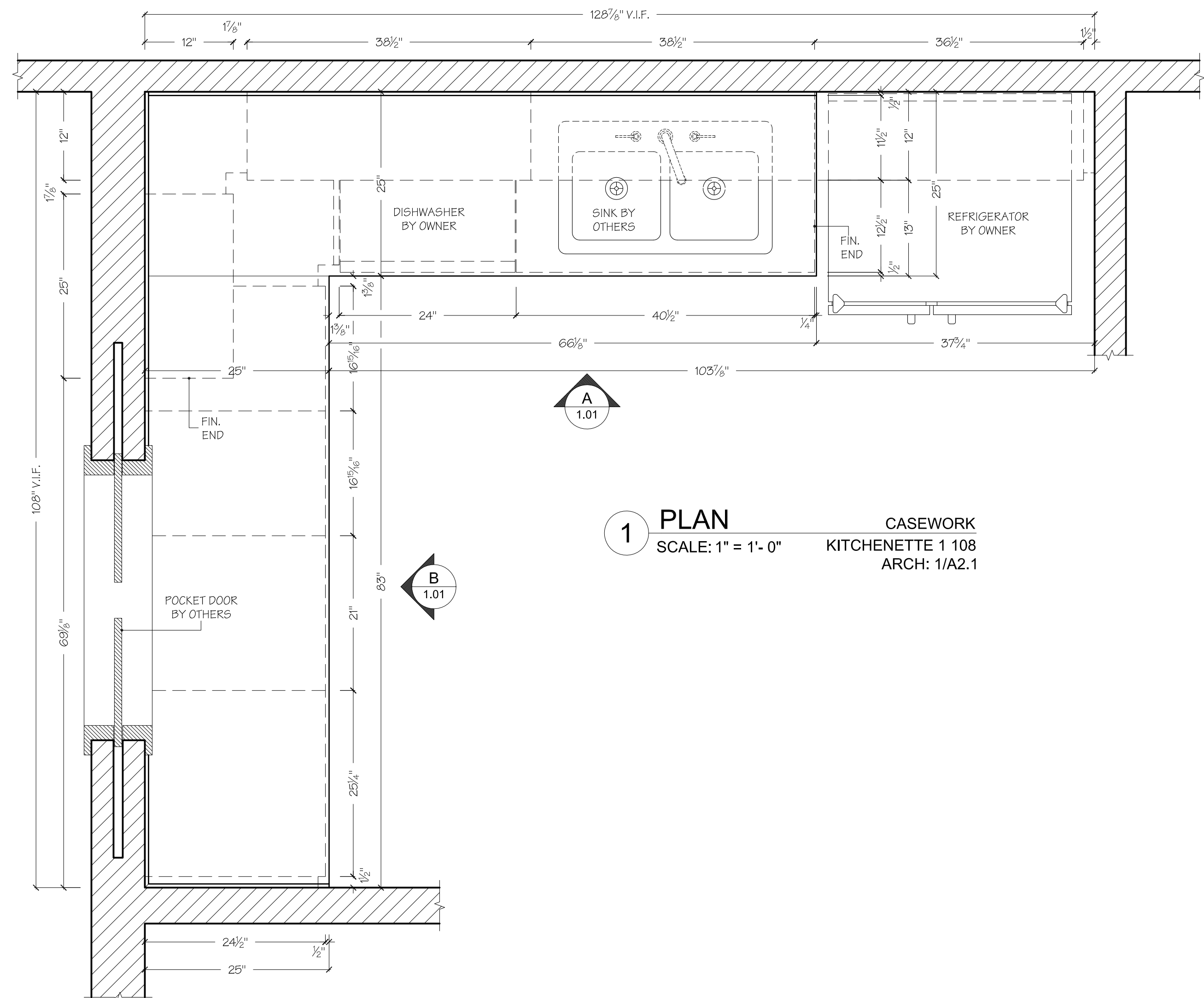
QCP NUMBER: 16.0266
CUT BILL NO.:
DRAWN BY: GG
CHECKED BY: - G.G.

MONTPELIER STATION, VIRGINIA

COVER

DRAWING NO.

COVER



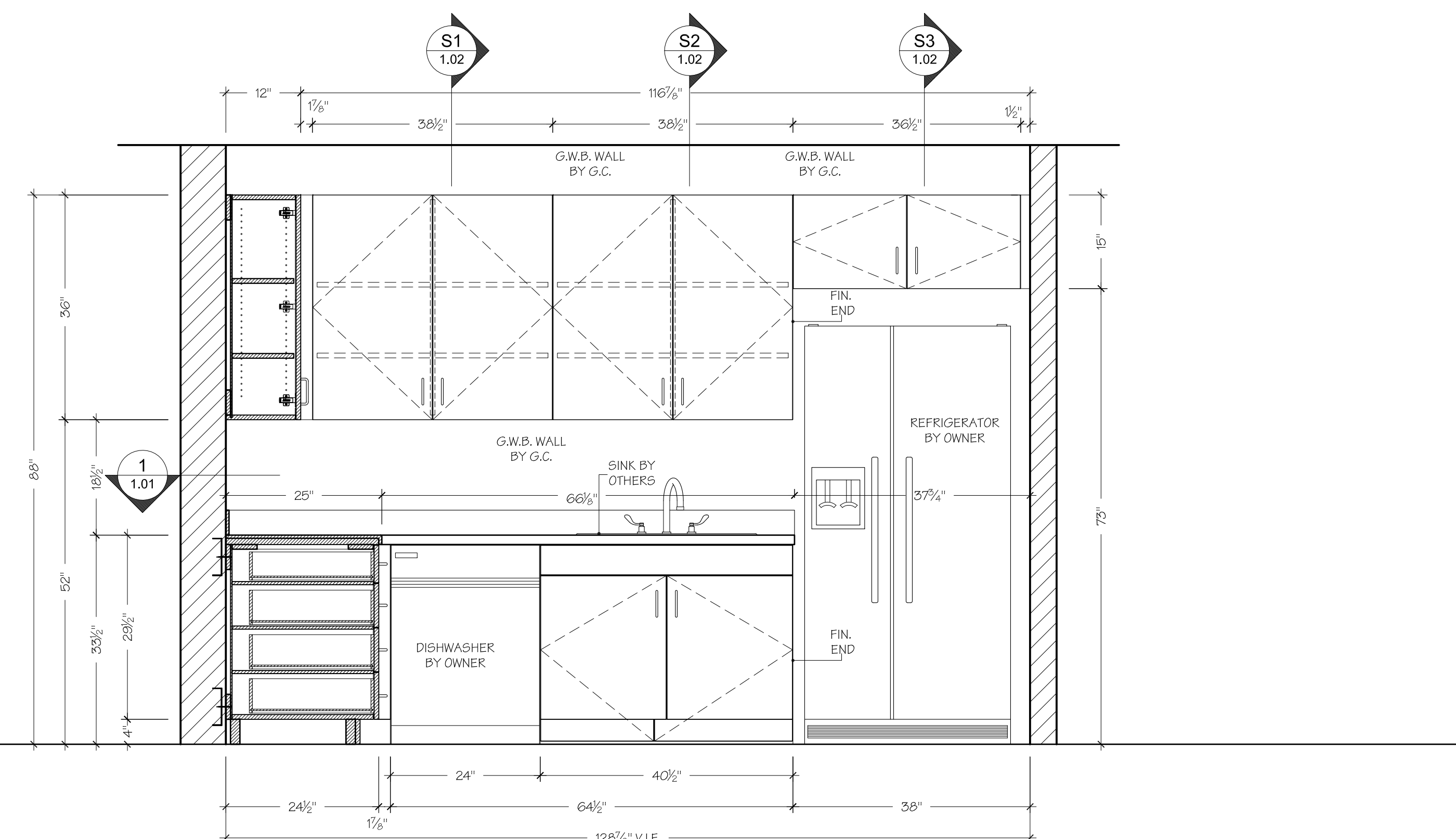
1 PLAN
SCALE: 1" = 1'-0"
CASEWORK KITCHENETTE 1 108
ARCH: 1/A2.1

ARCHITECT PLEASE
CONFIRM LOCK
LOCATIONS, IF ANY

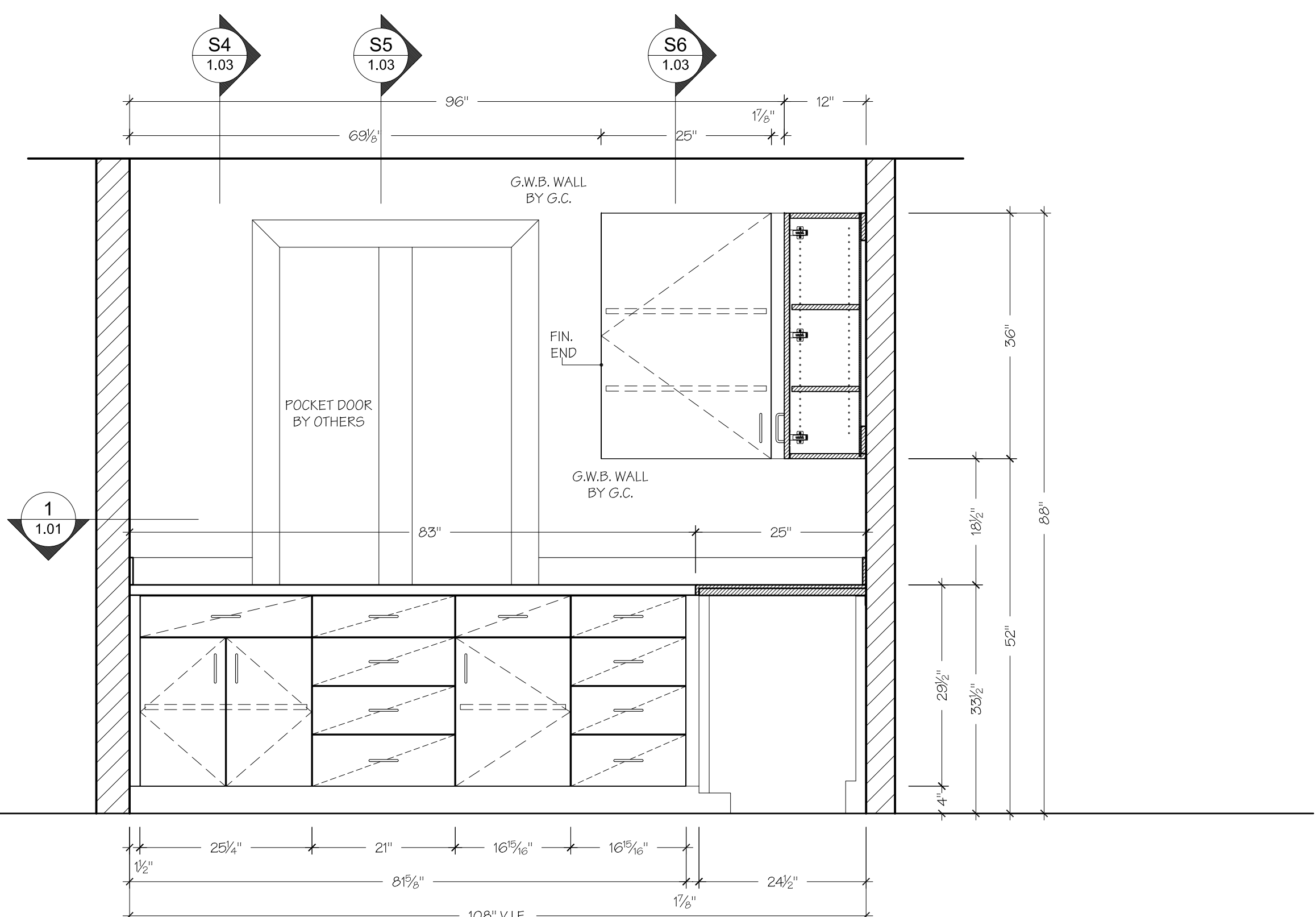
GENERAL NOTES

- (CUSTOM & PREMIUM GRADE; NON-LEED CERTIFIED; NON-FSC CERTIFIED; F.R. MATERIAL; AMI CERTIFIED)
- * COUNTERTOPS: SOLID SURFACE COUNTERTOP CORIAN GROUP C SELECTIONS 1/2" THICK
- * BASE CABINETS: PLASTIC LAMINATE WILSONART, FORMICA OR NEVAMAR SELECTIONS
- TOE KICK: BASE B.O.
- EDGE BANDING: PVC T-MOLD MATCHING LAMINATE IN COLOR & FINISH
- DRAWER CAB SIDES: 1/2" SOLID BIRCH
- DRAWER CAB BOTTOM: 1/2" BIRCH PLYWOOD
- CABINET INTERIOR: WHITE MCP
- *UPPER CABINETS: PLASTIC LAMINATE WILSONART, FORMICA OR NEVAMAR SELECTIONS
- EDGE BANDING: PVC T-MOLD MATCHING LAMINATE IN COLOR & FINISH
- CABINET INTERIOR: WHITE MCP
- *HARDWARE:
- HINGES: BLUM 120 DEGREE HINGES-STYLE SELF CLOSING-INSERTA 71T550B
- DOOR & DRAWER PULLS: WIRE PULL; "BRUSHED CHROME" - QTY. (22)
- DRAWER SLIDE: FULTERER 100LB FULL EXTENSION
- SHELF SUPPORTS: 5mm METAL SPOON PIN
- CLEAR DOOR RUBBER BUMPERS
- CONSTRUCTION NOTES:

MEMBER ARCHITECTURAL INSTITUTE
KARN CUSTOM WOODWORK
1500 CHAMBERLAYNE AVE.
Richmond, Virginia 23222
804-213-0300
804-213-0005 (FAX)
www.karncustomwoodwork.com



A ELEVATION
SCALE: 3/4" = 1'-0"
CASEWORK KITCHENETTE 1 108
ARCH: 2/A6.1



B ELEVATION
SCALE: 3/4" = 1'-0"
CASEWORK KITCHENETTE 1 108
ARCH: 1/A6.1

1	03/26/2016	SUBMITTAL
2	03/30/2016	FOR APPROVAL
3		DATE 3
4		DATE 4

QCP NUMBER: 16.0266
CUT BILL NO.:
DRAWN BY: DK
CHECKED BY: - G.C.
MONTPELIER CLAUDE MOORE HALL
MONTPELIER STATION, VIRGINIA
KITCHENETTE 1 108

GENERAL NOTES

(CUSTOM & PREMIUM GRADE; NON-LEED CERTIFIED; NON-FSC CERTIFIED; F.R. MATERIAL; AMI CERTIFIED)

- * COUNTERTOPS: SOLID SURFACE COUNTERTOP CORIAN GROUP C SELECTIONS ½" THICK
- * BASE CABINETS: PLASTIC LAMINATE WILSONART, FORMICA OR NEVAMAR SELECTIONS

- TOE KICK: BASE B.O.
- EDGE BANDING: PVC T-MOLD MATCHING LAMINATE IN COLOR & FINISH
- DRAWER CAB SIDES: ½" SOLID BIRCH
- DRAWER CAB BOTTOM: ½" BIRCH PLYWOOD
- CABINET INTERIOR: WHITE MCP

- *UPPER CABINETS: PLASTIC LAMINATE WILSONART, FORMICA OR NEVAMAR SELECTIONS
- EDGE BANDING: PVC T-MOLD MATCHING LAMINATE IN COLOR & FINISH
- CABINET INTERIOR: WHITE MCP

- *HARDWARE:
 - HINGES: BLUM 120 DEGREE HINGES-STYLE SELF CLOSING-INSERTA 71T550B
 - DOOR & DRAWER PULLS: WIRE PULL; "BRUSHED CHROME" - QTY. (22)
 - DRAWER SLIDE: FULTERER 100LB FULL EXTENSION
 - SHELF SUPPORTS: 5mm METAL SPOON PIN
 - CLEAR DOOR RUBBER BUMPERS
- CONSTRUCTION NOTES:



1500 CHAMBERLAYNE AVE.
 Richmond, Virginia 23222
 804-213-0300
 804-213-0005 (FAX)
 www.karncustomwoodwork.com

KARN CUSTOM WOODWORK

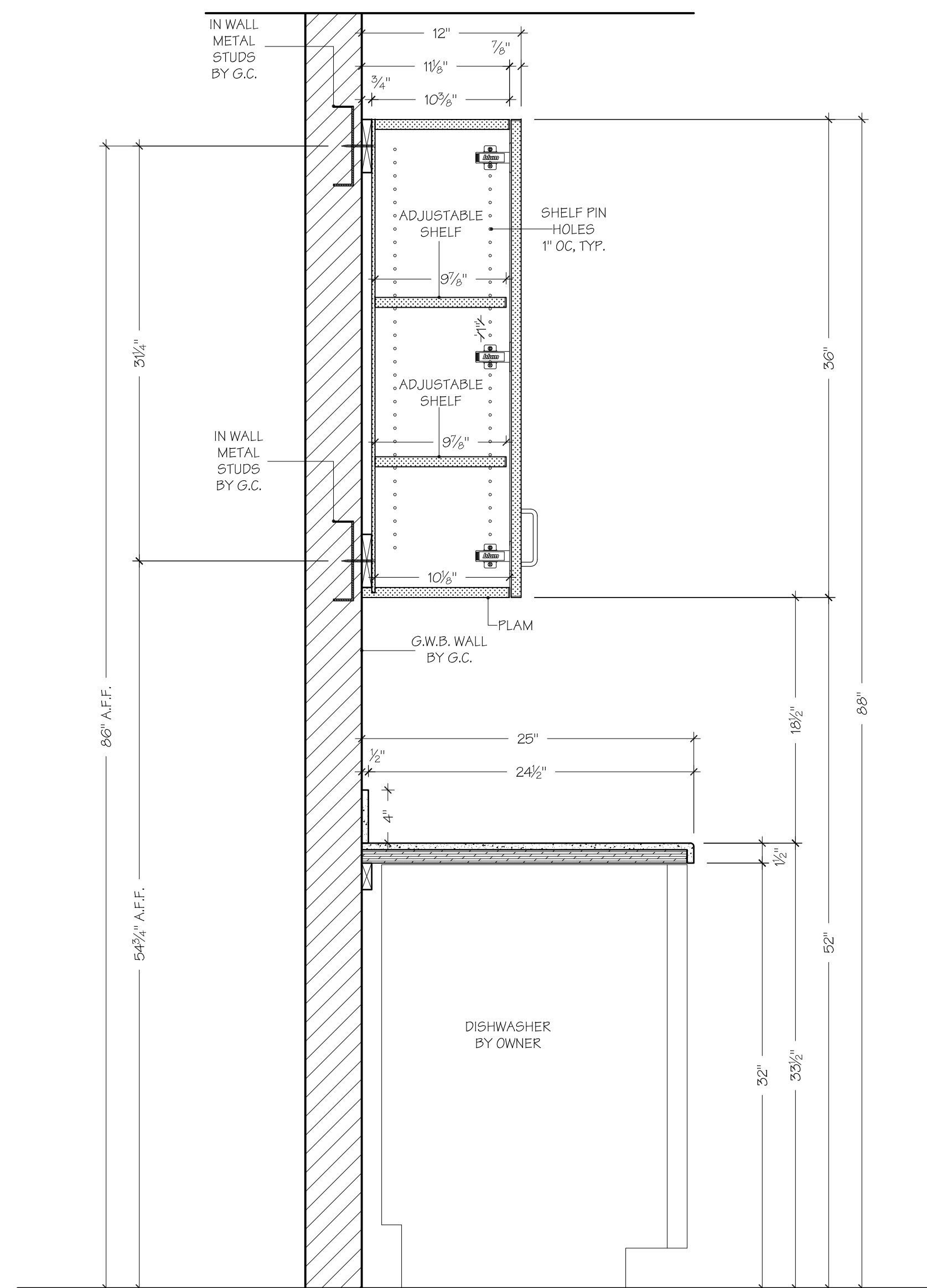
REVISIONS	
1	03/26/2016 SUBMITTAL
2	03/30/2016 FOR APPROVAL
3	DATE 3
4	DATE 4

QCP NUMBER: 16.0266
 CUT BILL NO.:
 DRAWN BY: DK
 CHECKED BY: - G.G.

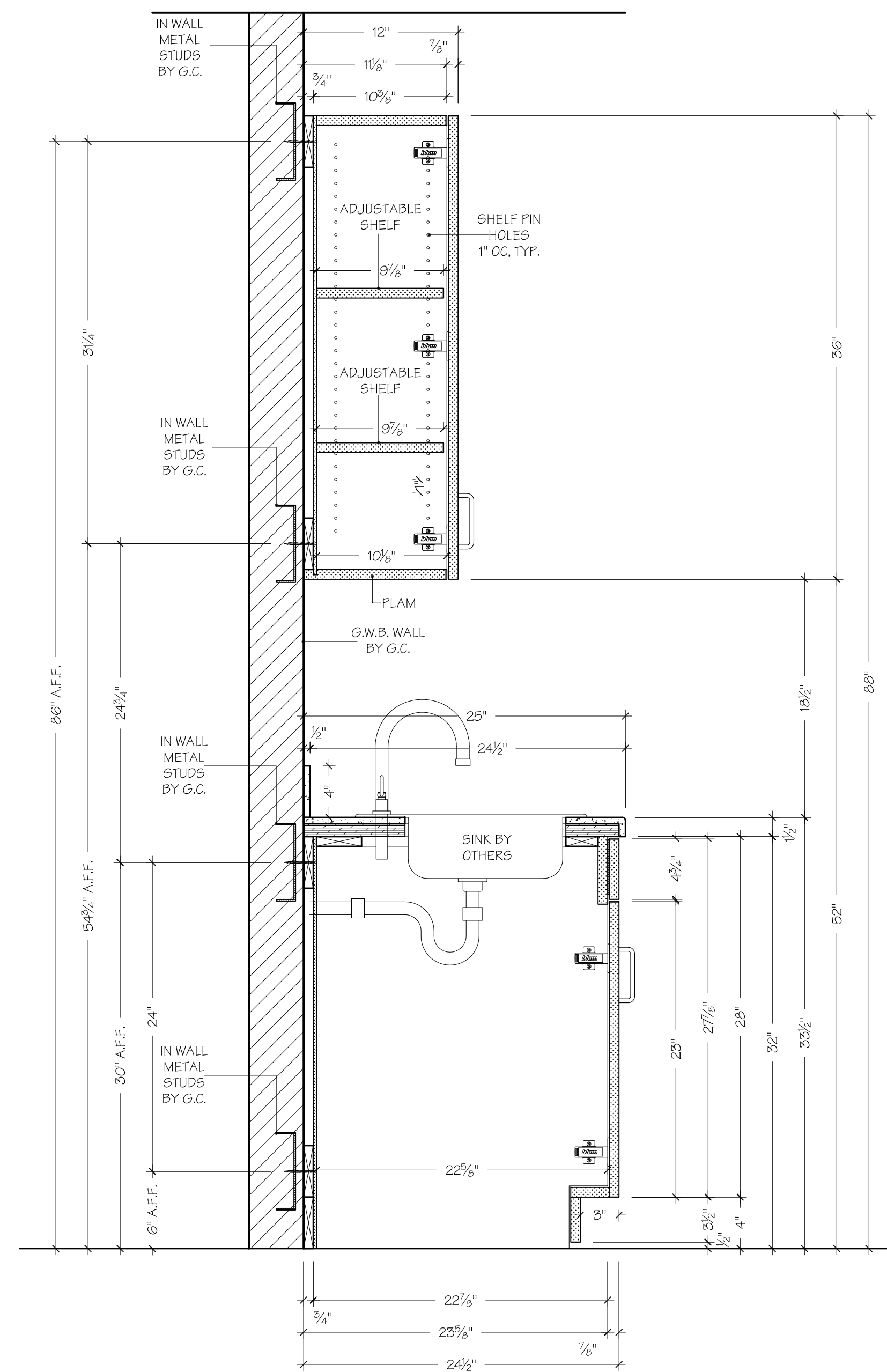
MONTPELIER CLAUDE MOORE HALL
 MONTPELIER STATION, VIRGINIA
 KITCHENETTE 1 108

DRAWING NO.

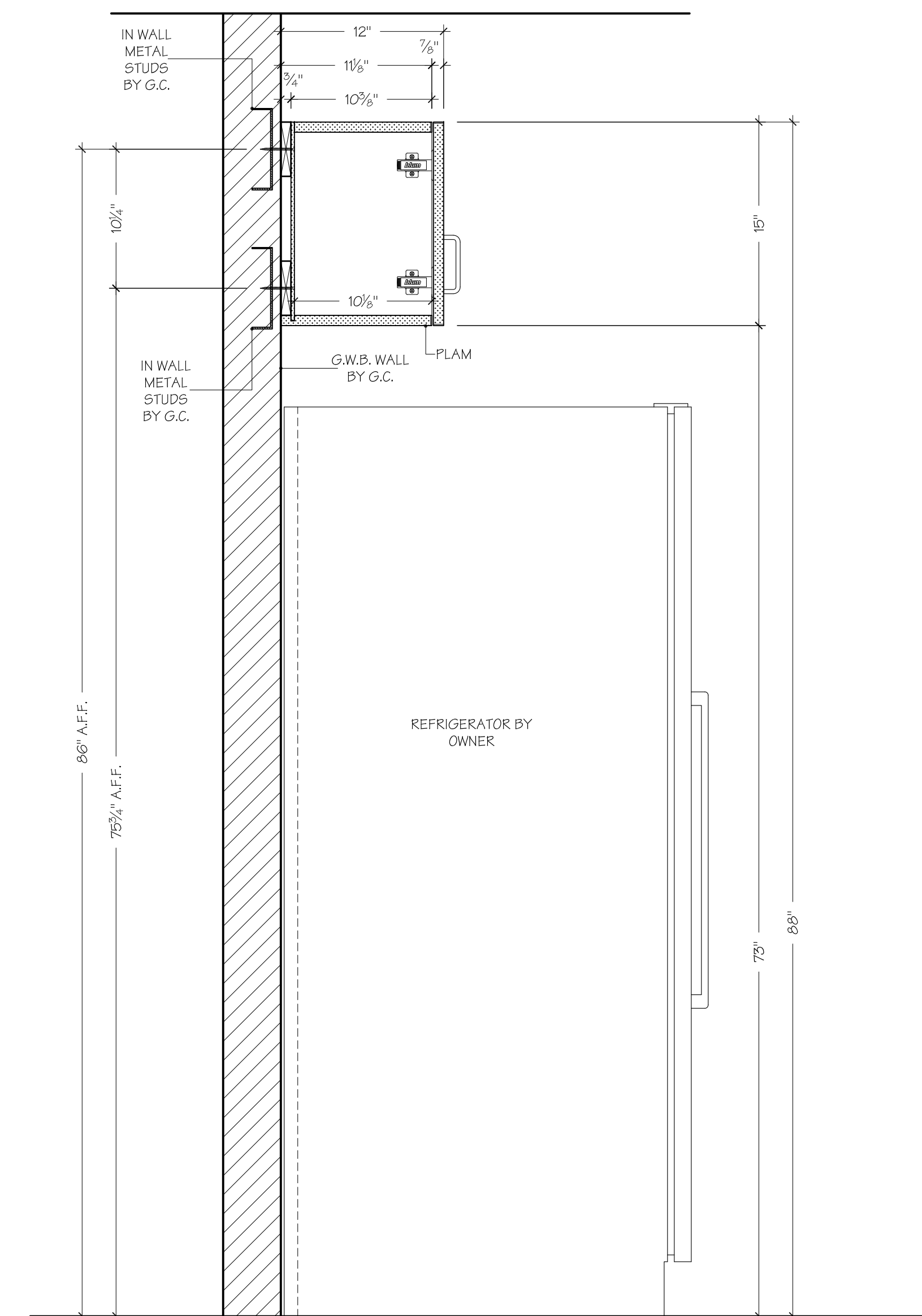
1.02



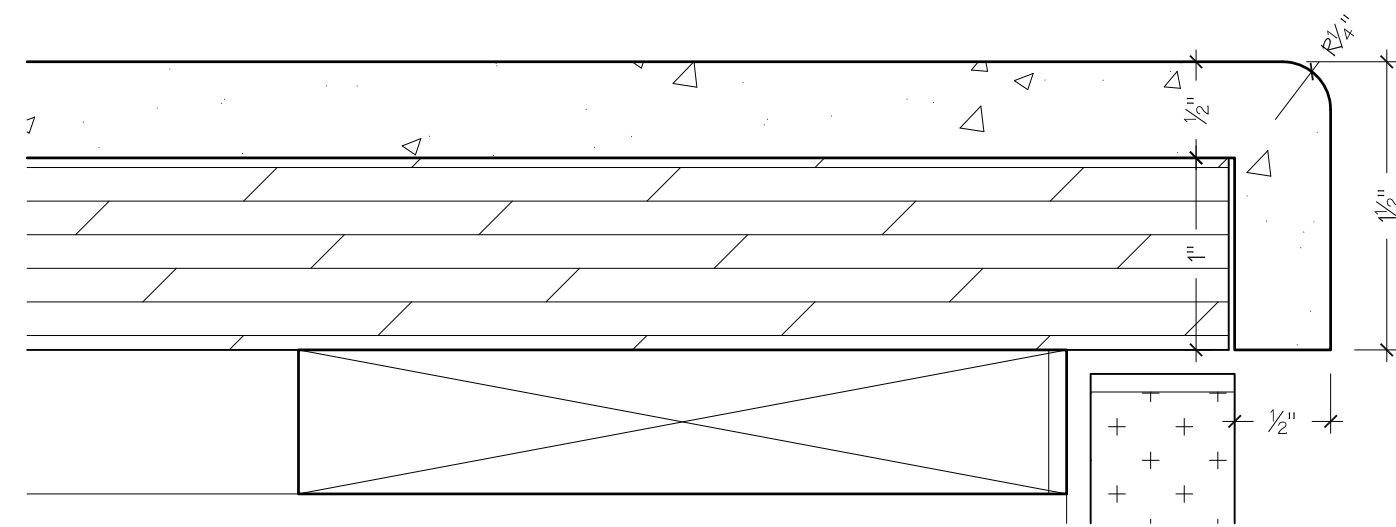
S1 SECTION
 SCALE: 1-1/2" = 1'-0" KITCHENETTE 1 108



S2 SECTION
 SCALE: 1-1/2" = 1'-0" KITCHENETTE 1 108
 ARCH: DIA/6.1



S3 SECTION
 SCALE: 1-1/2" = 1'-0" KITCHENETTE 1 108
 ARCH: E/A6.1



D1 DETAILS
SCALE: FULL KITCHENETTE 1 108

GENERAL NOTES

(CUSTOM & PREMIUM GRADE; NON-LEED CERTIFIED; NON-FSC CERTIFIED; F.R. MATERIAL; AMI CERTIFIED)

- * COUNTERTOPS: SOLID SURFACE COUNTERTOP CORIAN GROUP C SELECTIONS 1/2" THICK
- * BASE CABINETS: PLASTIC LAMINATE WILSONART, FORMICA OR NEVAMAR SELECTIONS
- TOE KICK: BASE B.O.
- EDGE BANDING: PVC T-MOLD MATCHING LAMINATE IN COLOR & FINISH
- DRAWER CAB SIDES: 1/2" SOLID BIRCH
- DRAWER CAB BOTTOM: 1/2" BIRCH PLYWOOD
- CABINET INTERIOR: WHITE MCP

- *UPPER CABINETS: PLASTIC LAMINATE WILSONART, FORMICA OR NEVAMAR SELECTIONS
- EDGE BANDING: PVC T-MOLD MATCHING LAMINATE IN COLOR & FINISH
- CABINET INTERIOR: WHITE MCP

- *HARDWARE:
- HINGES: BLUM 120 DEGREE HINGES-STYLE SELF CLOSING-INSERTA 71T550B
- DOOR & DRAWER PULLS: WIRE PULL; "BRUSHED CHROME" - QTY. (22)
- DRAWER SLIDE: FULTERER 100LB FULL EXTENSION
- SHELF SUPPORTS: 5mm METAL SPOON PIN
- CLEAR DOOR RUBBER BUMPERS

CONSTRUCTION NOTES:



1500 CHAMBERLAYNE AVE.
Richmond, Virginia 23222
804-213-0300
804-213-0005 (FAX)
www.karncustomwoodwork.com

KARN CUSTOM WOODWORK

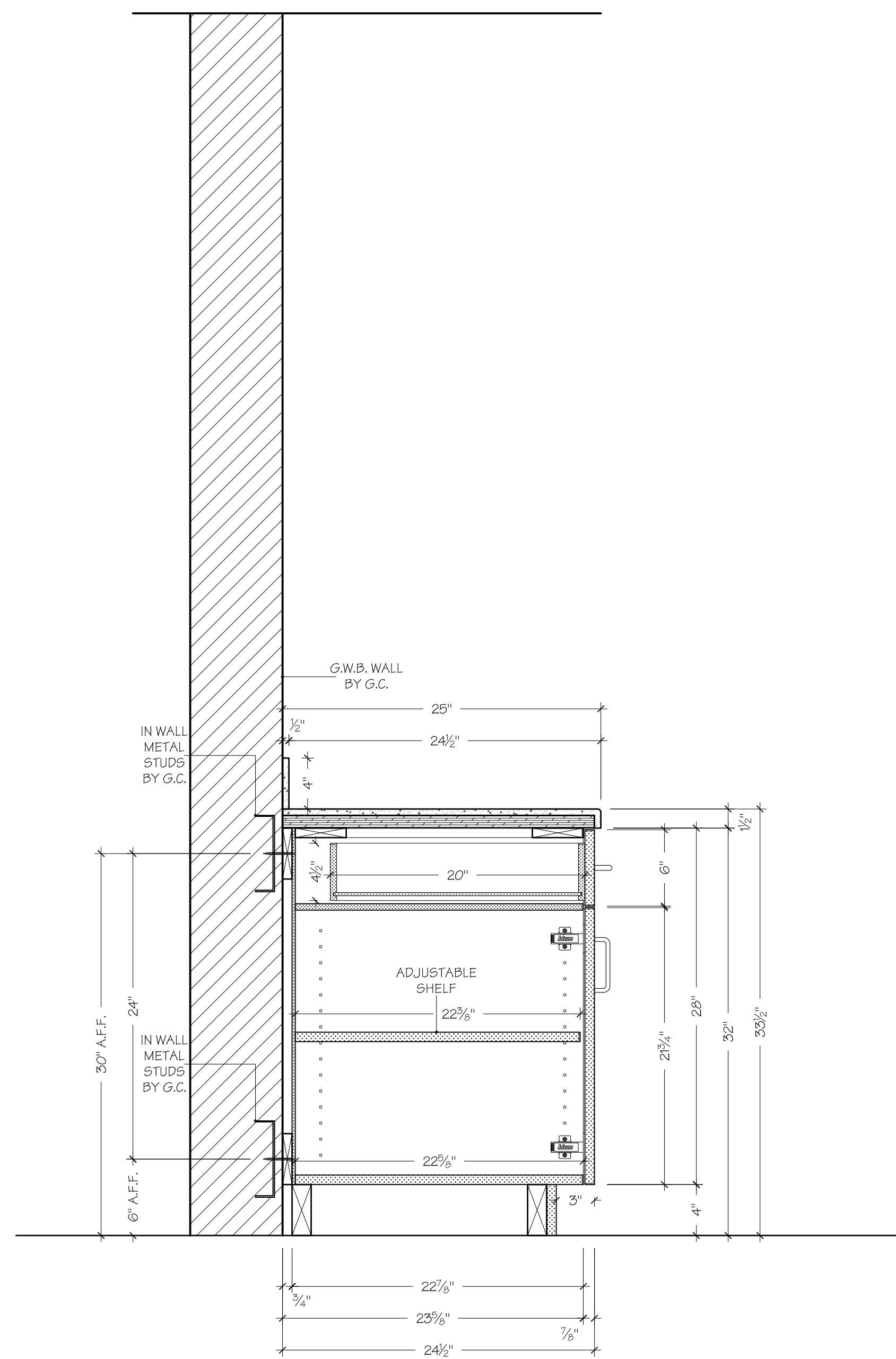
1	03/26/2016 SUBMITTAL
2	03/30/2016 FOR APPROVAL
3	DATE 3
4	DATE 4

REVISIONS:

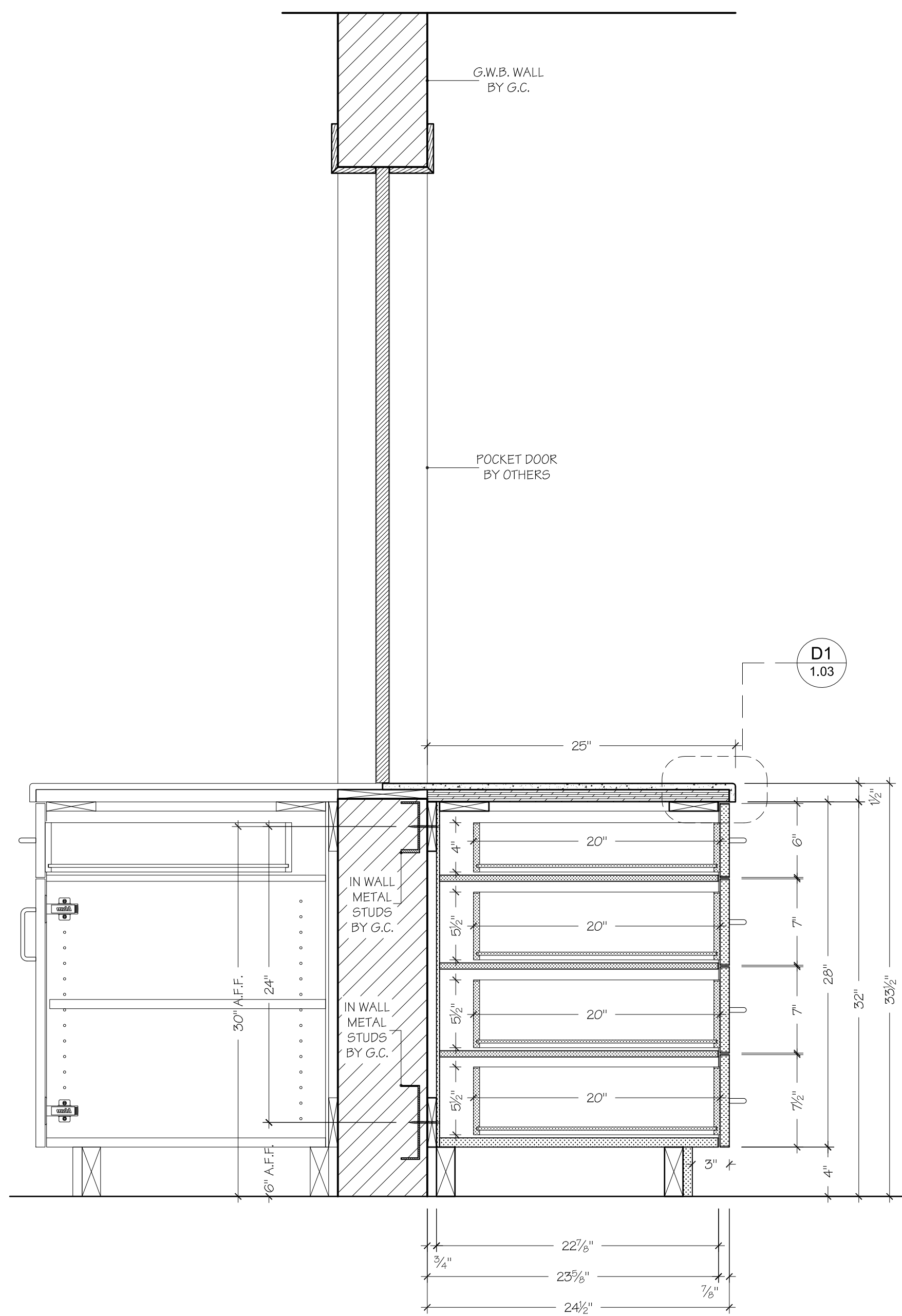
QCP NUMBER:	16.0266
CUT BILL NO.:	
DRAWN BY:	DK
CHECKED BY:	- G.C.

MONTPELIER CLAUDE MOORE HALL
MONTPELIER STATION, VIRGINIA
KITCHENETTE 1 108

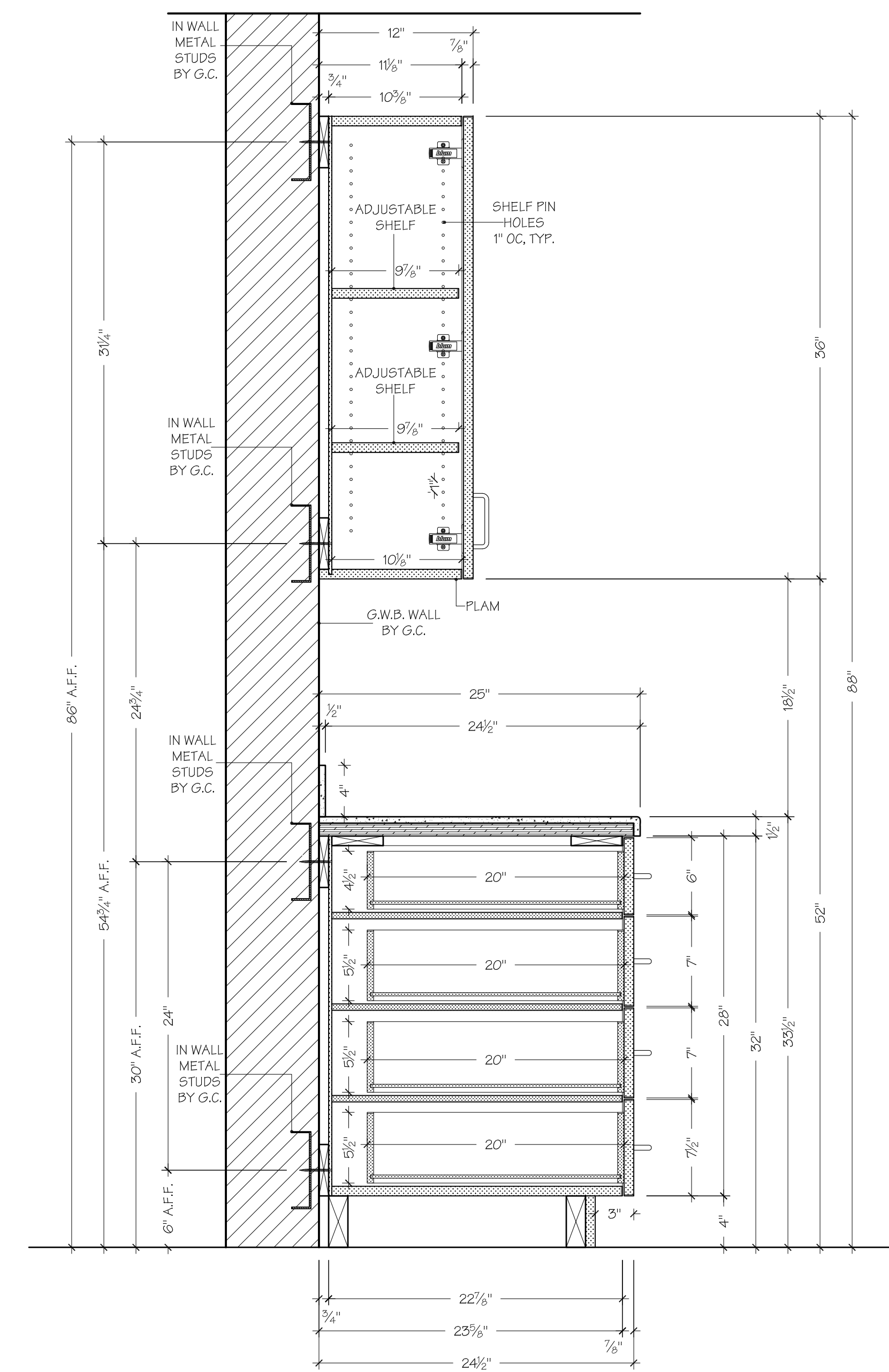
DRAWING NO.



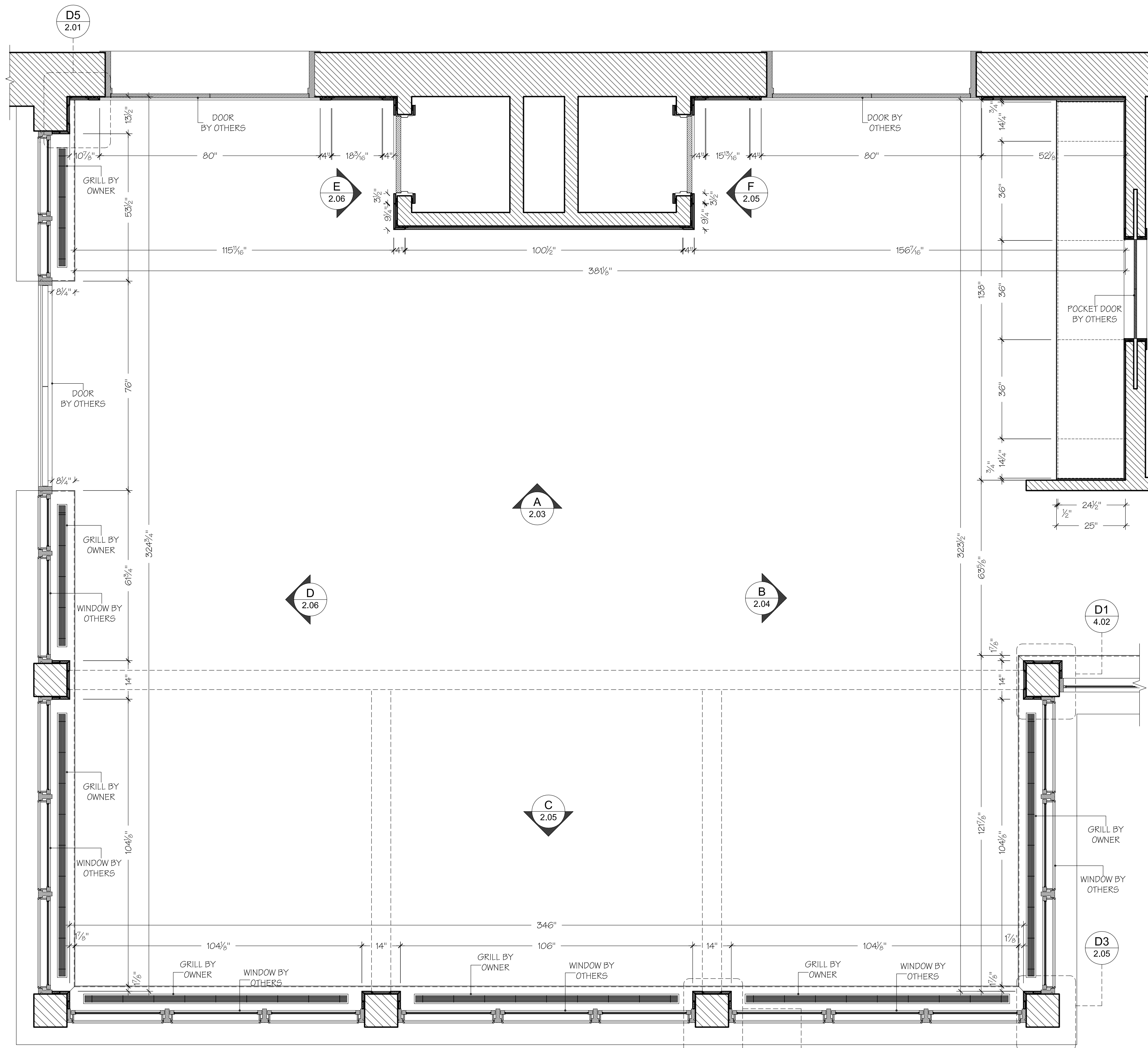
S4 SECTION
SCALE: 1-1/2" = 1'-0" KITCHENETTE 1 108
ARCH: D/A6.1



S5 SECTION
SCALE: 1-1/2" = 1'-0" KITCHENETTE 1 108
ARCH: J/A6.1



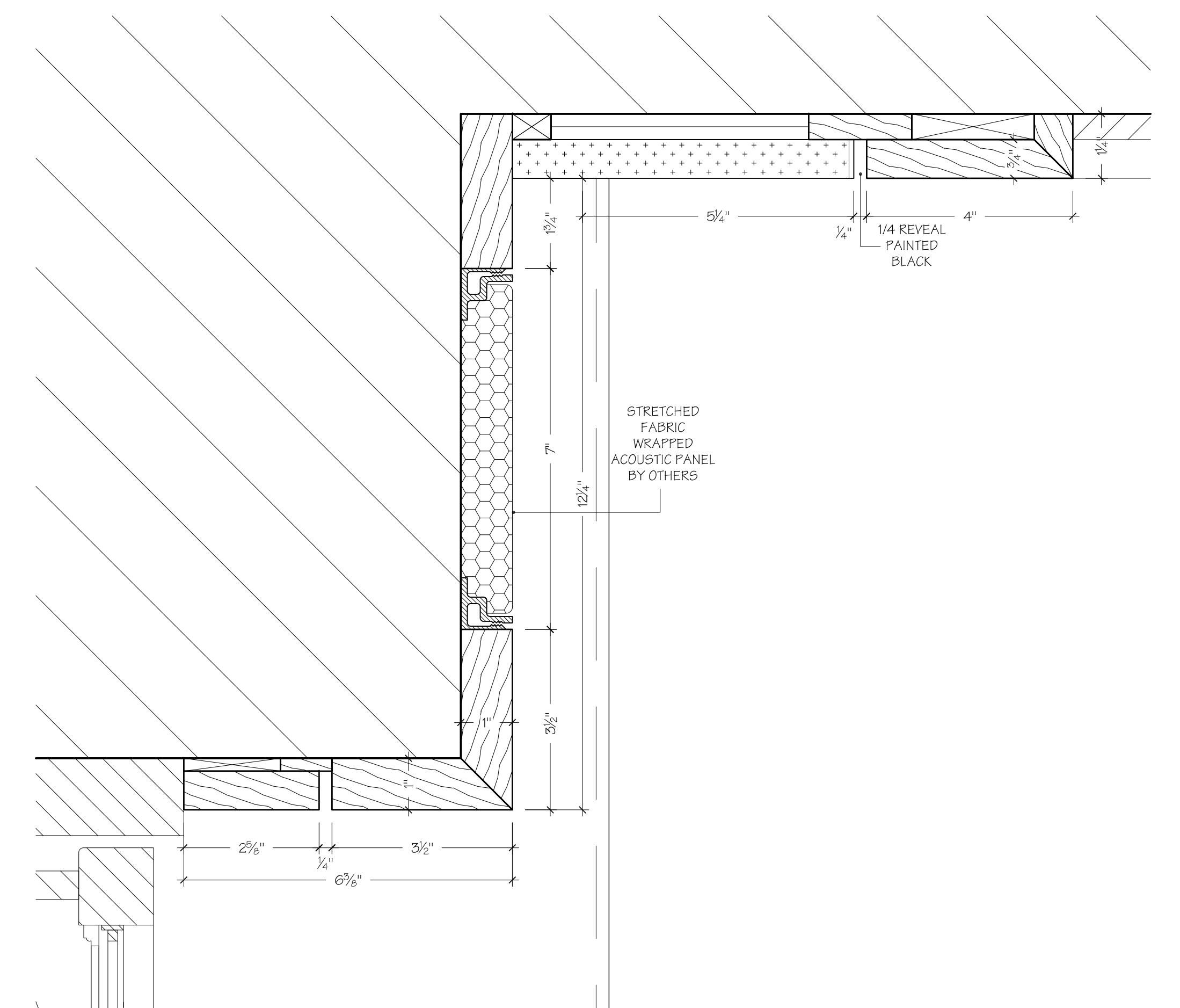
S6 SECTION
SCALE: 1-1/2" = 1'-0" KITCHENETTE 1 108
ARCH: C/A6.1



1 PLAN
 SCALE: 1/2" = 1'-0"
 RECEPTION 1 100
 ARCH: 1/A2.1

GENERAL NOTES

- (CUSTOM & PREMIUM GRADE; NON-LEED CERTIFIED; NON-FSC CERTIFIED; F.R. MATERIAL; AMI CERTIFIED)
- * COUNTERTOPS: SOLID SURFACE COUNTERTOP CORIAN GROUP C SELECTIONS 1/2" THICK
 - * BASE CABINETS: PS BEECH VENEER, BOOK AND BALANCE MATCHED, FINISHED TO MATCH APPROVED SAMPLE
 - * WALL PANELING: PS BEECH VENEER, BOOK AND RUNNING MATCH, ON FIRE-TREATED CORE, FINISHED TO MATCH APPROVED SAMPLE
 - * WALL TRIM: PS BEECH, FINISHED TO MATCH APPROVED SAMPLE
 - * CEILING TRIM: PS BEECH, FINISHED TO MATCH APPROVED SAMPLE
 - * REVEALS: PAINTED BLACK
 - * HARDWARE:
 - HINGES: BLUM 120 DEGREE HINGES-STYLE SELF CLOSING-INSERTA 71T550B
 - DOOR & DRAWER PULLS: WIRE PULL; "BRUSHED CHROME" - QTY. (16)
 - DRAWER SLIDE: ACCURIDE 100LB FULL EXTENSION
 - SHELF SUPPORTS: 5mm METAL SPOON PIN
 - CLEAR DOOR RUBBER BUMPERS
 - 1/4" ZCLIPS
- CONSTRUCTION NOTES:



D5 DETAILS
 SCALE: HALF
 RECEPTION 1 100



1500 CHAMBERLAYNE AVE.
 Richmond, Virginia 23222
 804-213-0300
 804-213-0005 (FAX)
 www.karncustomwoodwork.com

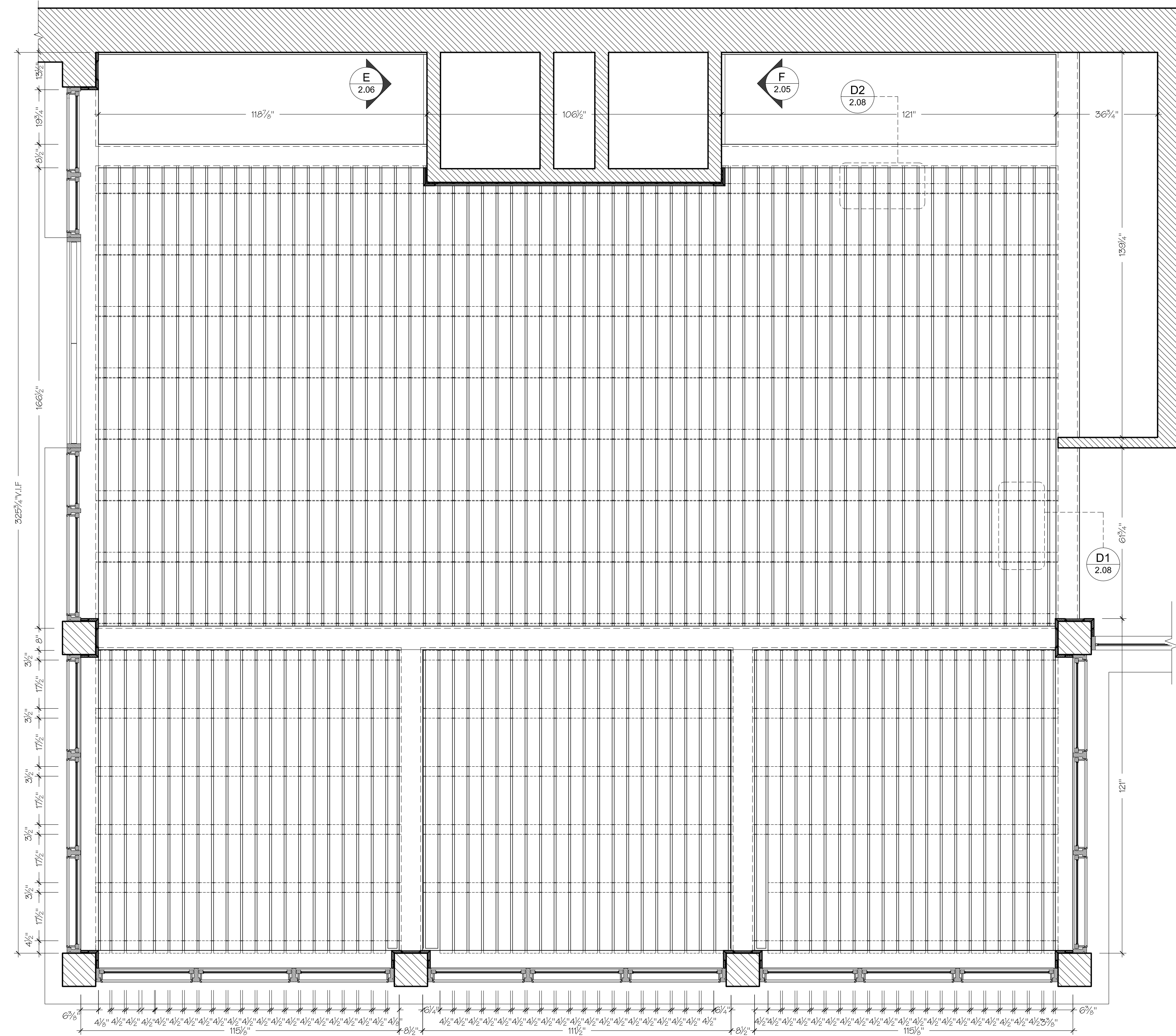
KARN CUSTOM WOODWORK

NO.	DATE	REVISIONS
1	03/26/2016	SUBMITTAL
2	03/30/2016	FOR APPROVAL
3	DATE 3	
4	DATE 4	

QCP NUMBER: 16.0266
 CUT BILL NO.:
 DRAWN BY: DK
 CHECKED BY: - G.G.

MONTPELIER CLAUDE MOORE HALL
 MONTPELIER STATION, VIRGINIA
 RECEPTION 1 100

DRAWING NO.



2 REFLECTED CEILING PLAN
 SCALE: 1/2" = 1'-0"
 RECEPTION 1 100
 ARCH: 1/A3.1

GENERAL NOTES

- (CUSTOM & PREMIUM GRADE; NON-LEED CERTIFIED; NON-FSC CERTIFIED; F.R. MATERIAL; AMI CERTIFIED)
- * COUNTERTOPS: SOLID SURFACE COUNTERTOP CORIAN GROUP C SELECTIONS 1/2" THICK
 - * BASE CABINETS: PS BEECH VENEER, BOOK AND BALANCE MATCHED, FINISHED TO MATCH APPROVED SAMPLE
 - * WALL PANELING: PS BEECH VENEER, BOOK AND RUNNING MATCH, ON FIRE-TREATED CORE, FINISHED TO MATCH APPROVED SAMPLE
 - * WALL TRIM: PS BEECH, FINISHED TO MATCH APPROVED SAMPLE
 - * CEILING TRIM: PS BEECH, FINISHED TO MATCH APPROVED SAMPLE
 - * REVEALS: PAINTED BLACK
 - * HARDWARE:
 - HINGES: BLUM 120 DEGREE HINGES-STYLE SELF CLOSING-INSERTA 71T550B
 - DOOR & DRAWER PULLS: WIRE PULL; "BRUSHED CHROME" - QTY. (16)
 - DRAWER SLIDE: ACCURIDE 100LB FULL EXTENSION
 - SHELF SUPPORTS: 5mm METAL SPOON PIN
 - CLEAR DOOR RUBBER BUMPERS
 - 1/4" ZCLIPS
- CONSTRUCTION NOTES:



1500 CHAMBERLAYNE AVE.
 Richmond, Virginia 23222
 804-213-0300
 804-213-0005 (FAX)
 www.karncustomwoodwork.com

KARN CUSTOM WOODWORK

1	03/26/2016 SUBMITTAL
2	03/30/2016 FOR APPROVAL
3	DATE 3
4	DATE 4

REVISIONS:

QCP NUMBER:	16.0266
CUT BILL NO.:	
DRAWN BY:	DK
CHECKED BY:	- G.G.

MONTPELLIER CLAUDE MOORE HALL
 MONTPELLIER STATION, VIRGINIA
 RECEPTION 1 100

GENERAL NOTES

(CUSTOM & PREMIUM GRADE; NON-LEED CERTIFIED; NON-FSC CERTIFIED; F.R. MATERIAL; AMI CERTIFIED)

* COUNTERTOPS: SOLID SURFACE COUNTERTOP CORIAN GROUP C SELECTIONS 1/2" THICK
 * BASE CABINETS: PS BEECH VENEER, BOOK AND BALANCE MATCHED, FINISHED TO MATCH APPROVED SAMPLE

* WALL PANELING: PS BEECH VENEER, BOOK AND RUNNING MATCH, ON FIRE-TREATED CORE, FINISHED TO MATCH APPROVED SAMPLE

* WALL TRIM: PS BEECH, FINISHED TO MATCH APPROVED SAMPLE

* CEILING TRIM: PS BEECH, FINISHED TO MATCH APPROVED SAMPLE

* REVEALS: PAINTED BLACK

* HARDWARE:

-HINGES: BLUM 120 DEGREE HINGES-STYLE SELF CLOSING-INSERTA 71T550B

-DOOR & DRAWER PULLS: WIRE PULL; "BRUSHED CHROME" - QTY. (16)

-DRAWER SLIDE: ACCURIDE 100LB FULL EXTENSION

-SHELF SUPPORTS: 5mm METAL SPOON PIN

-CLEAR DOOR RUBBER BUMPERS

-1/4" ZCLIPS

CONSTRUCTION NOTES:



1500 CHAMBERLAYNE AVE.
 Richmond, Virginia 23222
 804-213-0300
 804-213-0005 (FAX)
 www.karncustomwoodwork.com

KARN CUSTOM WOODWORK

1	03/26/2016 SUBMITTAL
2	03/30/2016 FOR APPROVAL
3	DATE 3
4	DATE 4

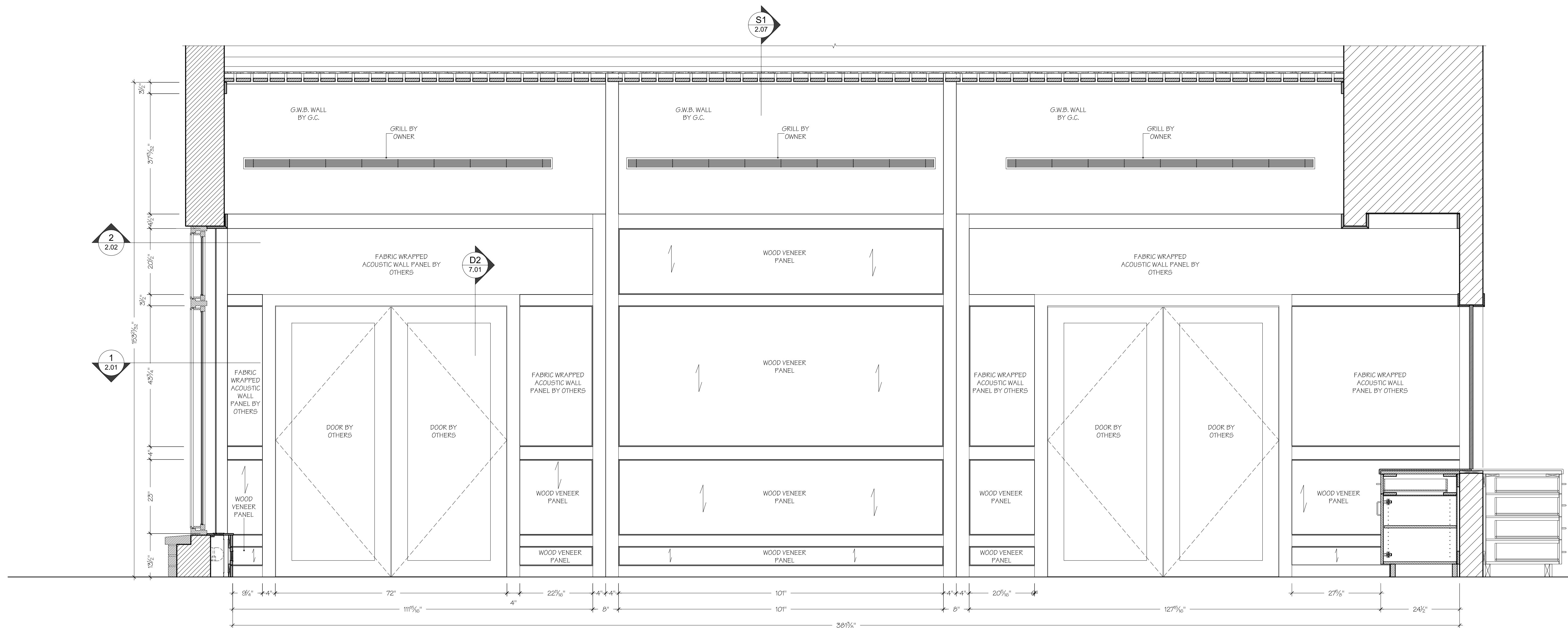
REVISIONS:

QCP NUMBER: 16.0266
CUT BILL NO.:
DRAWN BY: DK
CHECKED BY: - G.G.

MONTPELIER CLAUDE MOORE HALL
 MONTPELIER STATION, VIRGINIA
 RECEPTION 1 100

DRAWING NO.

2.03



A ELEVATION
 SCALE: 3/4" = 1'-0" RECEPTION 1 100
 ARCH: 2B/A6.3

GENERAL NOTES

(CUSTOM & PREMIUM GRADE; NON-LEED CERTIFIED; NON-FSC CERTIFIED; F.R. MATERIAL; AMI CERTIFIED)

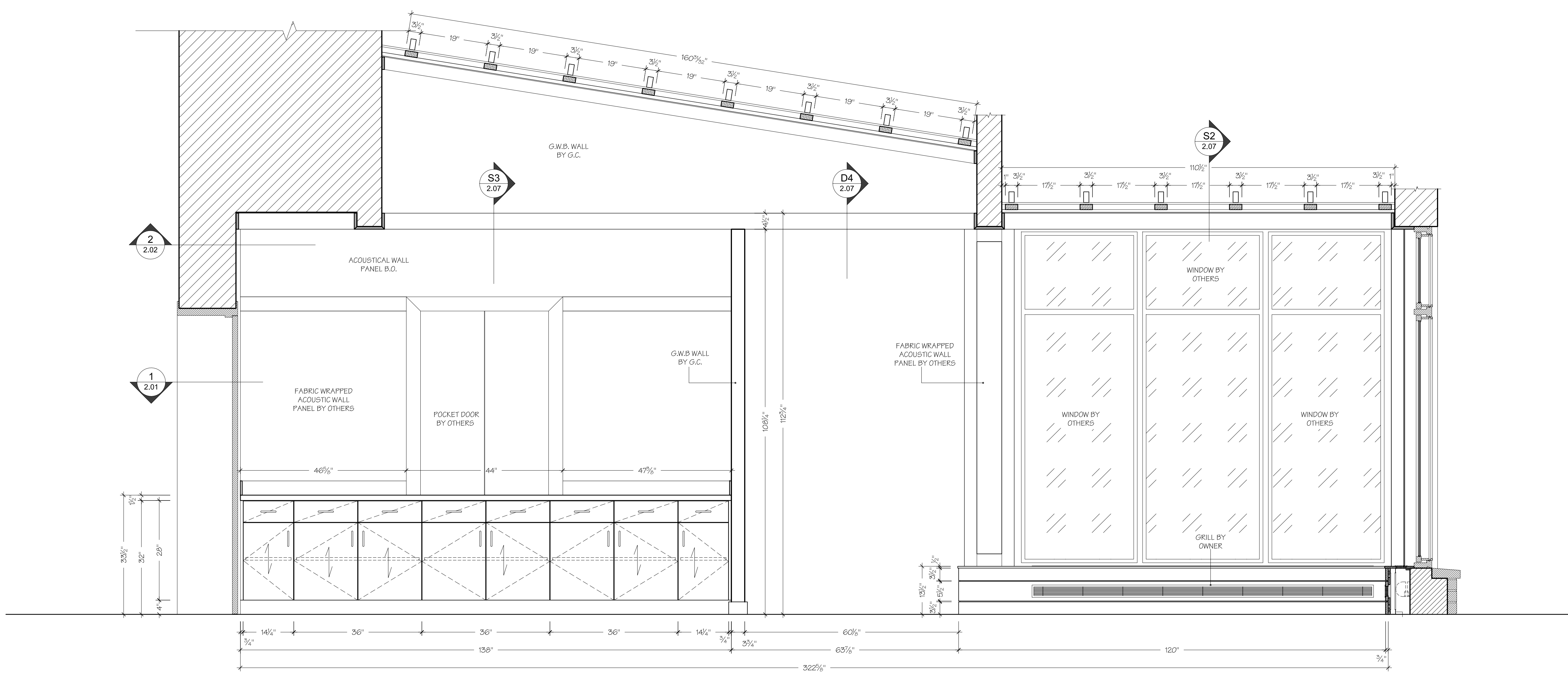
- * COUNTERTOPS: SOLID SURFACE COUNTERTOP CORIAN GROUP C SELECTIONS ½" THICK
- * BASE CABINETS: PS BEECH VENEER, BOOK AND BALANCE MATCHED, FINISHED TO MATCH APPROVED SAMPLE
- * WALL PANELING: PS BEECH VENEER, BOOK AND RUNNING MATCH, ON FIRE-TREATED CORE, FINISHED TO MATCH APPROVED SAMPLE
- * WALL TRIM: PS BEECH, FINISHED TO MATCH APPROVED SAMPLE
- * CEILING TRIM: PS BEECH, FINISHED TO MATCH APPROVED SAMPLE
- * REVEALS: PAINTED BLACK
- * HARDWARE:
 - HINGES: BLUM 120 DEGREE HINGES-STYLE SELF CLOSING-INSERTA 71T550B
 - DOOR & DRAWER PULLS: WIRE PULL; "BRUSHED CHROME" - QTY. (16)
 - DRAWER SLIDE: ACCURIDE 100LB FULL EXTENSION
 - SHELF SUPPORTS: 5mm METAL SPOON PIN
 - CLEAR DOOR RUBBER BUMPERS
 - 1/4" ZCLIPS

CONSTRUCTION NOTES:

MEMBER
ARCHITECTURAL
INSTITUTE
ami

1500 CHAMBERLAYNE AVE.
Richmond, Virginia 23222
804-213-0300
804-213-0005 (FAX)
www.karncustomwoodwork.com

KARN CUSTOM WOODWORK



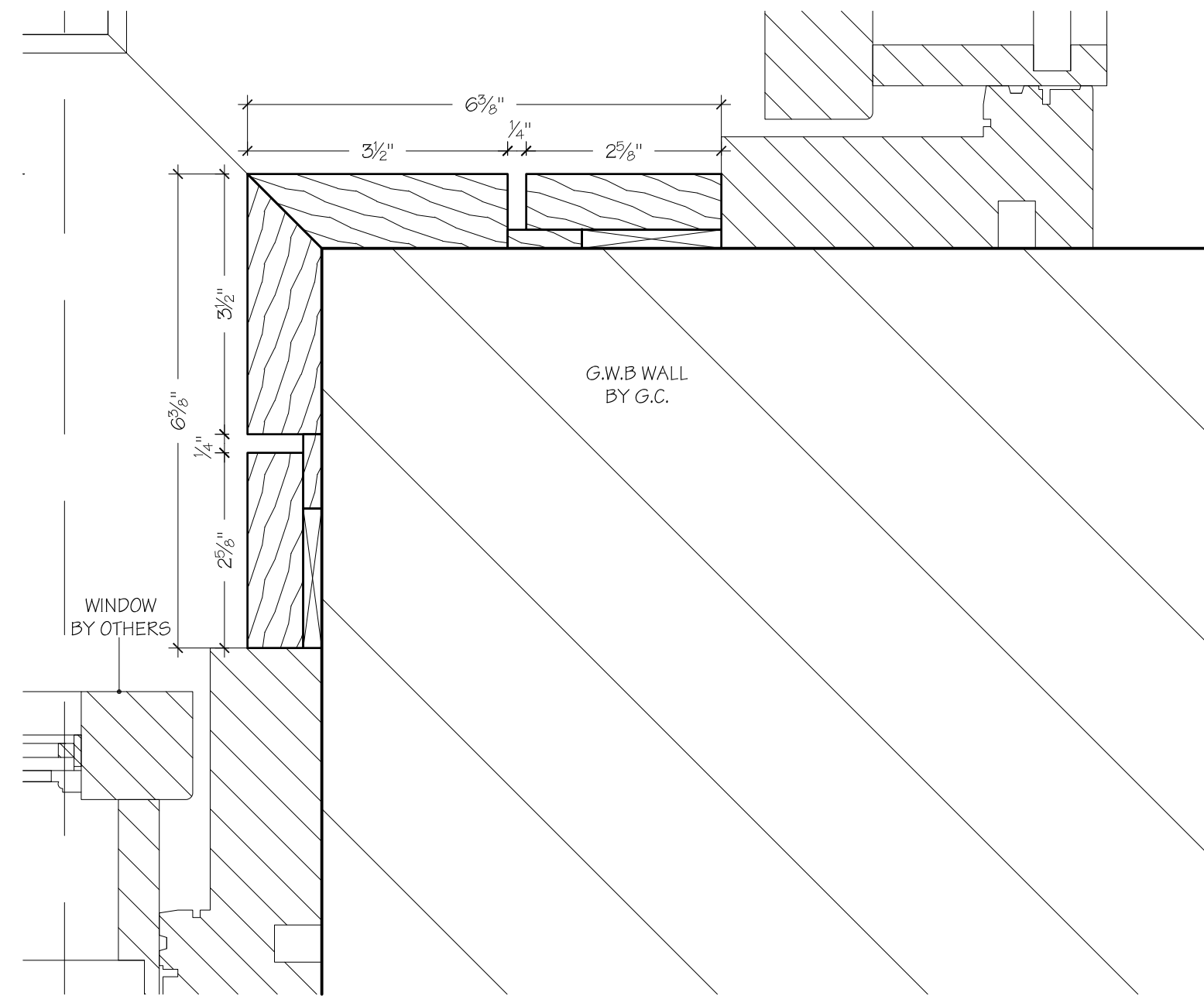
B ELEVATION
SCALE: 3/4" = 1'-0" RECEPTION 1 100
ARCH: 3/A6.3

1	03/26/2016 SUBMITTAL
2	03/30/2016 FOR APPROVAL
3	DATE 3
4	DATE 4

REVISIONS:

QCP NUMBER: 16.0266
CUT BILL NO.:
DRAWN BY: DK
CHECKED BY: - G.C.

MONTPELIER CLAUDE MOORE HALL
MONTPELIER STATION, VIRGINIA



D3 DETAILS
SCALE: HALF RECEPTION 1 100

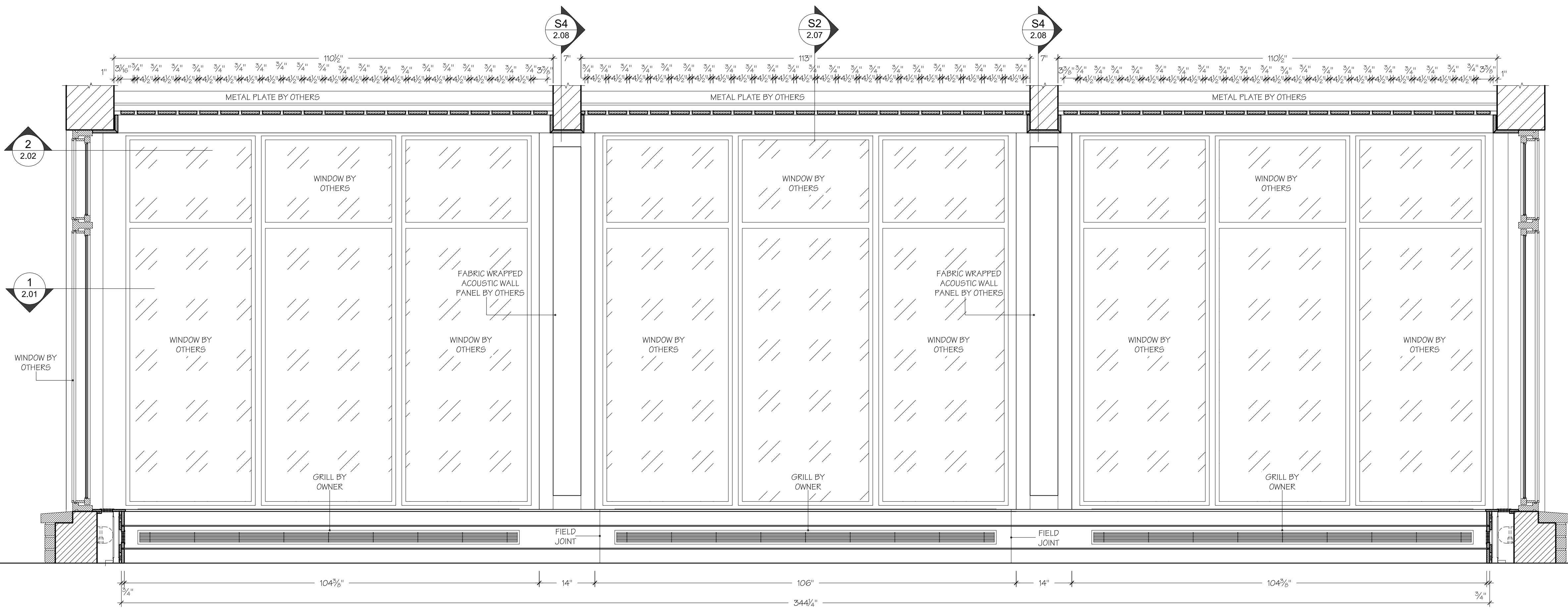
GENERAL NOTES

- (CUSTOM & PREMIUM GRADE; NON-LEED CERTIFIED; NON-FSC CERTIFIED; F.R. MATERIAL; AMI CERTIFIED)
- * COUNTERTOPS: SOLID SURFACE COUNTERTOP CORIAN GROUP C SELECTIONS 1/2" THICK
 - * BASE CABINETS: PS BEECH VENEER, BOOK AND BALANCE MATCHED, FINISHED TO MATCH APPROVED SAMPLE
 - * WALL PANELING: PS BEECH VENEER, BOOK AND RUNNING MATCH, ON FIRE-TREATED CORE, FINISHED TO MATCH APPROVED SAMPLE
 - * WALL TRIM: PS BEECH, FINISHED TO MATCH APPROVED SAMPLE
 - * CEILING TRIM: PS BEECH, FINISHED TO MATCH APPROVED SAMPLE
 - * REVEALS: PAINTED BLACK
 - * HARDWARE:
 - HINGES: BLUM 120 DEGREE HINGES-STYLE SELF CLOSING-INSERTA 71T550B
 - DOOR & DRAWER PULLS: WIRE PULL; "BRUSHED CHROME" - QTY. (16)
 - DRAWER SLIDE: ACCURIDE 100LB FULL EXTENSION
 - SHELF SUPPORTS: 5mm METAL SPOON PIN
 - CLEAR DOOR RUBBER BUMPERS
 - 1/4" ZCLIPS
- CONSTRUCTION NOTES:

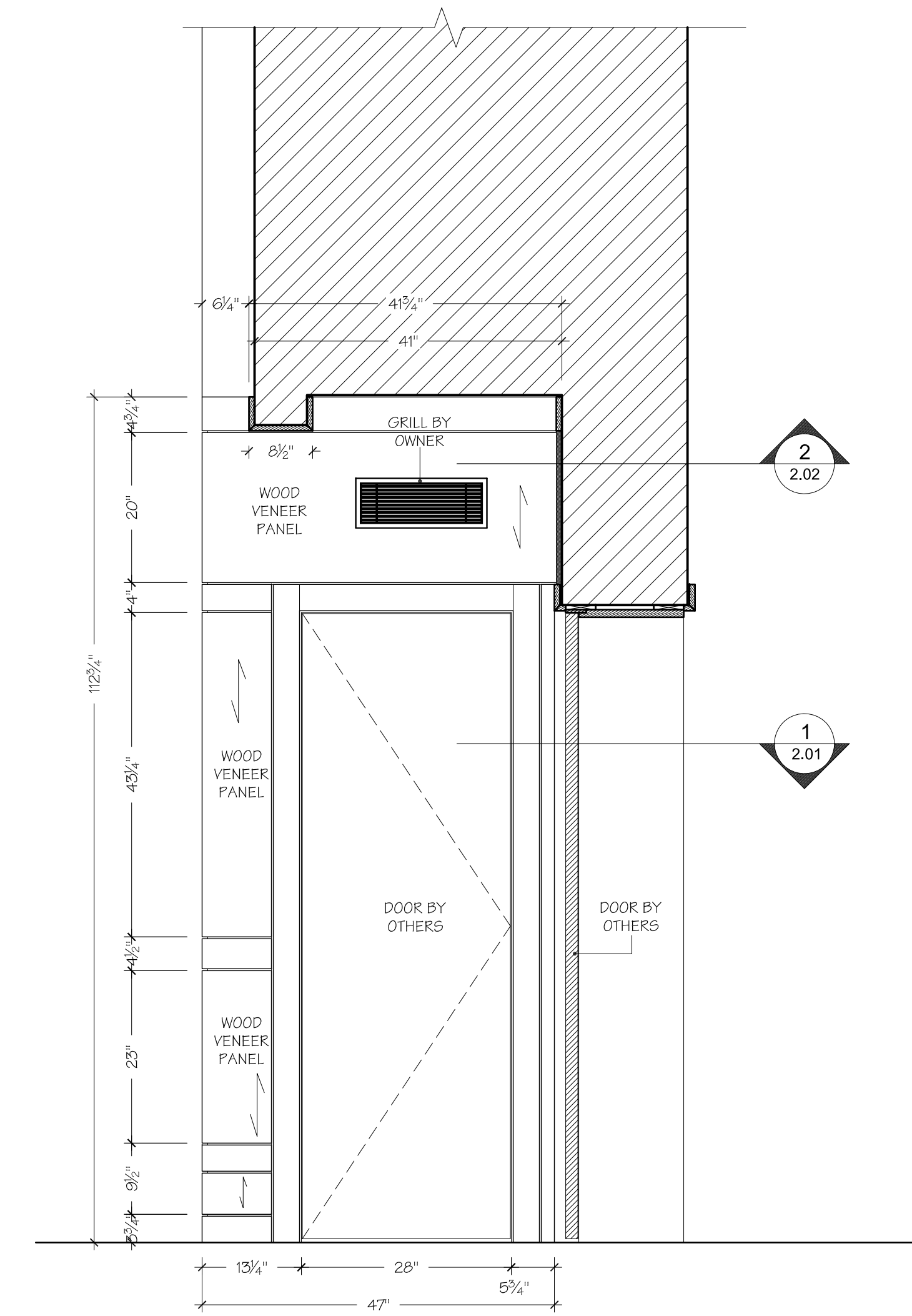


1500 CHAMBERLAYNE AVE.
Richmond, Virginia 23222
804 - 213 - 0300
804 - 213 - 0005 (FAX)
www.karncustomwoodwork.com

KARN CUSTOM WOODWORK



C ELEVATION
SCALE: 3/4" = 1'-0" RECEPTION 1 100
ARCH: 2D/A6.3



F ELEVATION
SCALE: 3/4" = 1'-0" RECEPTION 1 100

REVISIONS			
NO.	DATE	DESCRIPTION	BY
1	03/26/2016	SUBMITTAL	
2	03/30/2016	FOR APPROVAL	
3	DATE 3		
4	DATE 4		

QCP NUMBER: 16.0266
CUT BILL NO.:
DRAWN BY: DK
CHECKED BY: - G.C.

MONTPELIER CLAUDE MOORE HALL
MONTPELIER STATION, VIRGINIA
RECEPTION 1 100

DRAWING NO.

GENERAL NOTES

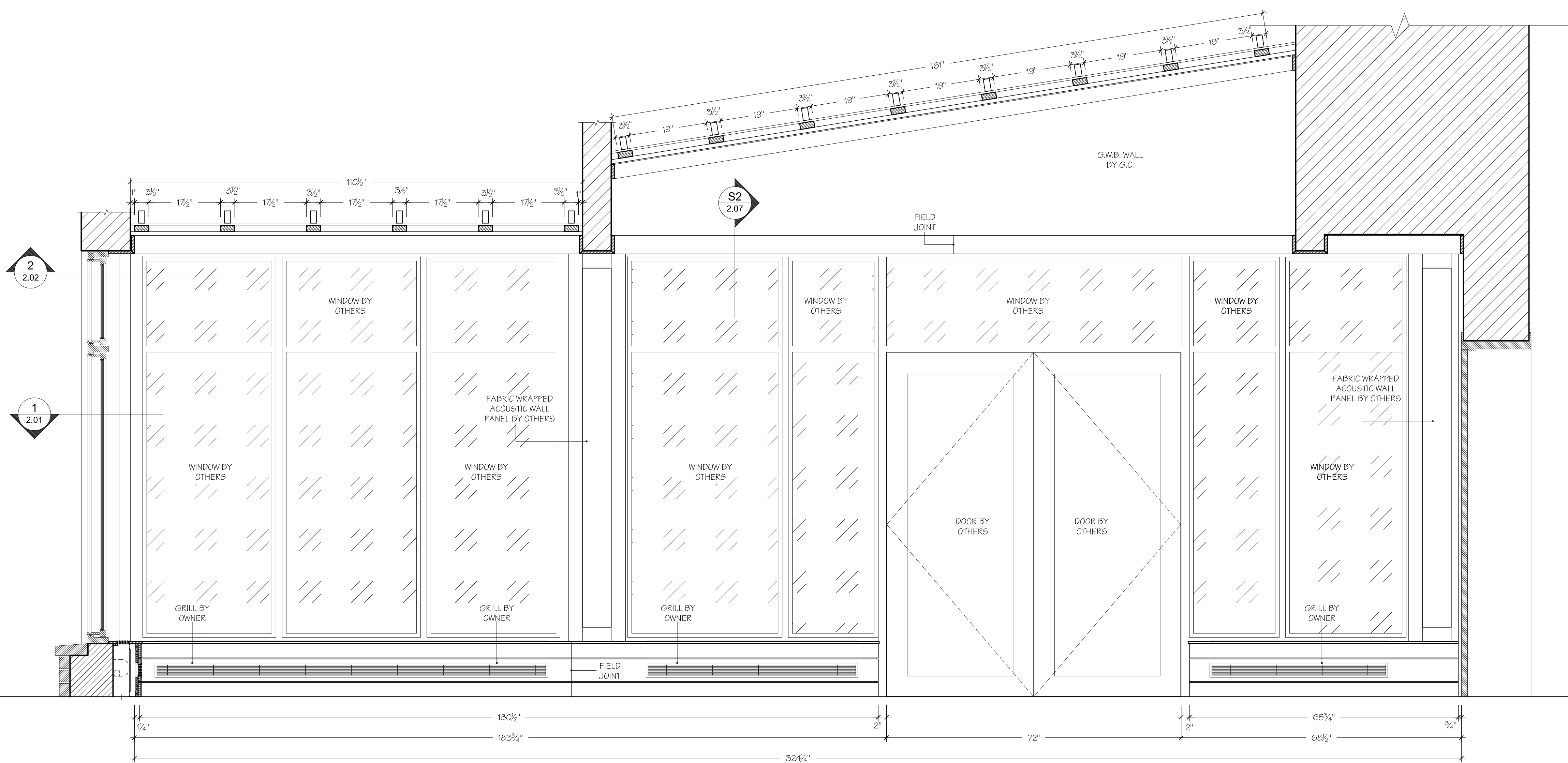
(CUSTOM & PREMIUM GRADE; NON-LEED CERTIFIED; NON-FSC CERTIFIED; F.R. MATERIAL; AMI CERTIFIED)

- * COUNTERTOPS: SOLID SURFACE COUNTERTOP CORIAN GROUP C SELECTIONS ½" THICK
 - * BASE CABINETS: PS BEECH VENEER, BOOK AND BALANCE MATCHED, FINISHED TO MATCH APPROVED SAMPLE
 - * WALL PANELING: PS BEECH VENEER, BOOK AND RUNNING MATCH, ON FIRE-TREATED CORE, FINISHED TO MATCH APPROVED SAMPLE
 - * WALL TRIM: PS BEECH, FINISHED TO MATCH APPROVED SAMPLE
 - * CEILING TRIM: PS BEECH, FINISHED TO MATCH APPROVED SAMPLE
 - * REVEALS: PAINTED BLACK
 - * HARDWARE:
 - HINGES: BLUM 120 DEGREE HINGES-STYLE SELF CLOSING-INSERTA 71T550B
 - DOOR & DRAWER PULLS: WIRE PULL; "BRUSHED CHROME" - QTY. (16)
 - DRAWER SLIDE: ACCURIDE 100LB FULL EXTENSION
 - SHELF SUPPORTS: 5mm METAL SPOON PIN
 - CLEAR DOOR RUBBER BUMPERS
 - 1/4" ZCLIPS
- CONSTRUCTION NOTES:

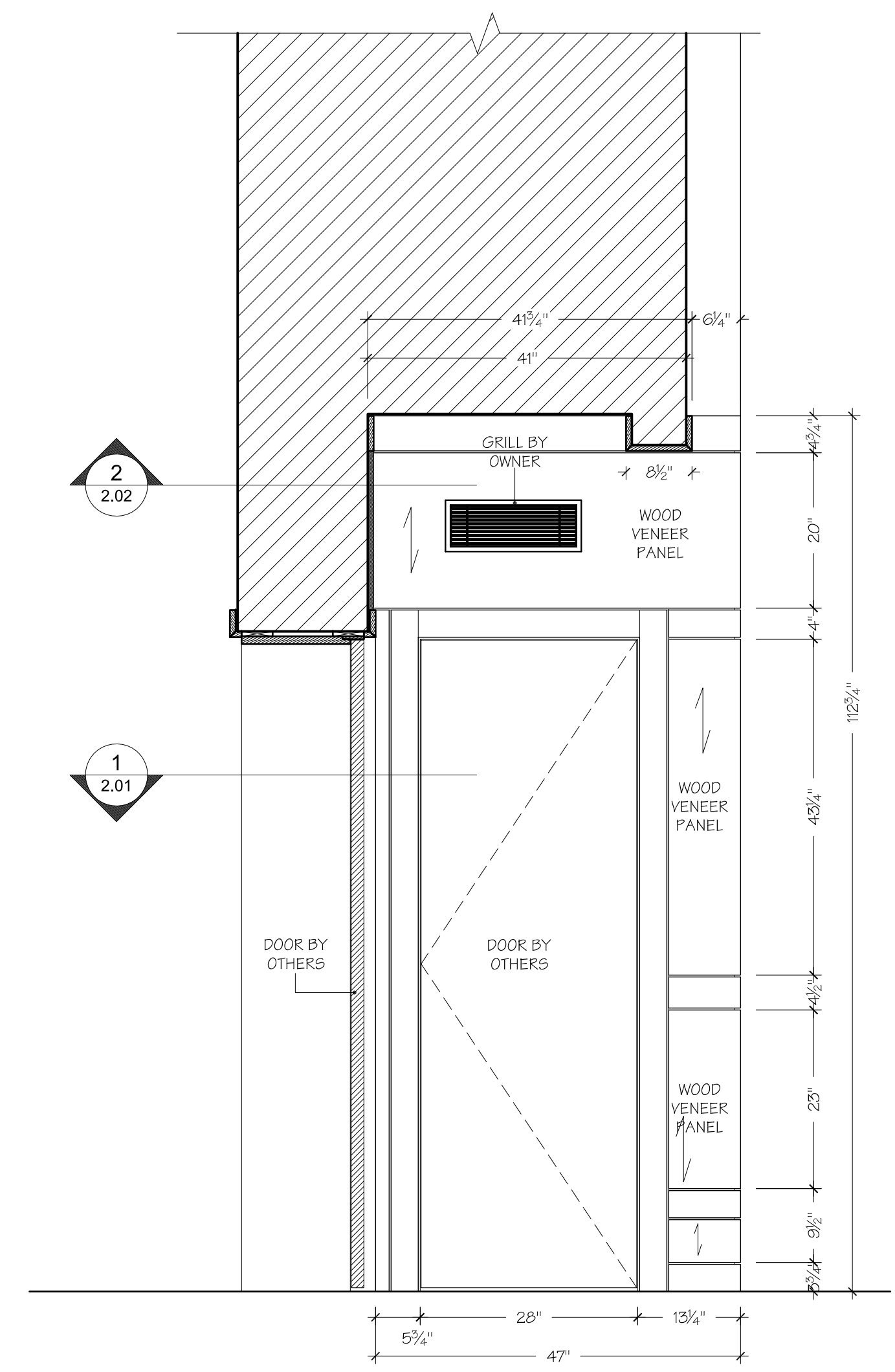


1500 CHAMBERLAYNE AVE.
Richmond, Virginia 23222
804-213-0300
804-213-0005 (FAX)
www.karncustomwoodwork.com

KARN CUSTOM WOODWORK



D ELEVATION
SCALE: 3/4" = 1'-0" RECEPTION 1 100
ARCH: 2A/6.3



E ELEVATION
SCALE: 3/4" = 1'-0" RECEPTION 1 100

1	03/26/2016 SUBMITTAL
2	03/30/2016 FOR APPROVAL
3	DATE 3
4	DATE 4

QCP NUMBER: 16.0266
CUT BILL NO.:
DRAWN BY: DK
CHECKED BY: - G.G.

MONTPELIER CLAUDE MOORE HALL
MONTPELIER STATION, VIRGINIA

DRAWING NO.

2.06

GENERAL NOTES

(CUSTOM & PREMIUM GRADE; NON-LEED CERTIFIED; NON-FSC CERTIFIED; F.R. MATERIAL; AMI CERTIFIED)

* COUNTERTOPS: SOLID SURFACE COUNTERTOP CORIAN GROUP C SELECTIONS 1/2" THICK
 * BASE CABINETS: PS BEECH VENEER, BOOK AND BALANCE MATCHED, FINISHED TO MATCH APPROVED SAMPLE

* WALL PANELING: PS BEECH VENEER, BOOK AND RUNNING MATCH, ON FIRE-TREATED CORE, FINISHED TO MATCH APPROVED SAMPLE

* WALL TRIM: PS BEECH, FINISHED TO MATCH APPROVED SAMPLE

* CEILING TRIM: PS BEECH, FINISHED TO MATCH APPROVED SAMPLE

* REVEALS: PAINTED BLACK

* HARDWARE:

-HINGES: BLUM 120 DEGREE HINGES-STYLE SELF CLOSING-INSERTA 71T550B

-DOOR & DRAWER PULLS: WIRE PULL; "BRUSHED CHROME" - QTY. (16)

-DRAWER SLIDE: ACCURIDE 100LB FULL EXTENSION

-SHELF SUPPORTS: 5mm METAL SPOON PIN

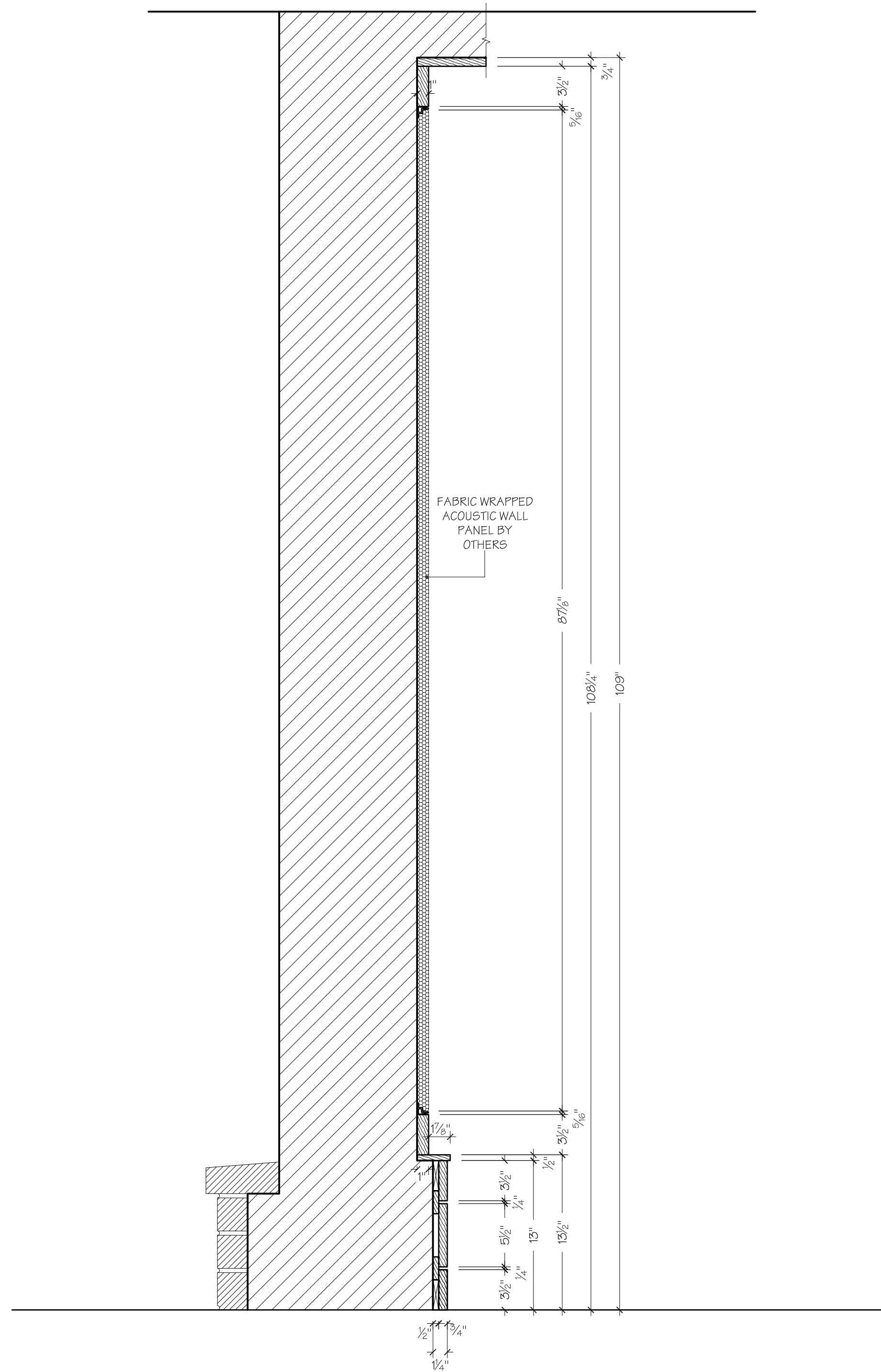
-CLEAR DOOR RUBBER BUMPERS

-1/4" ZCLIPS

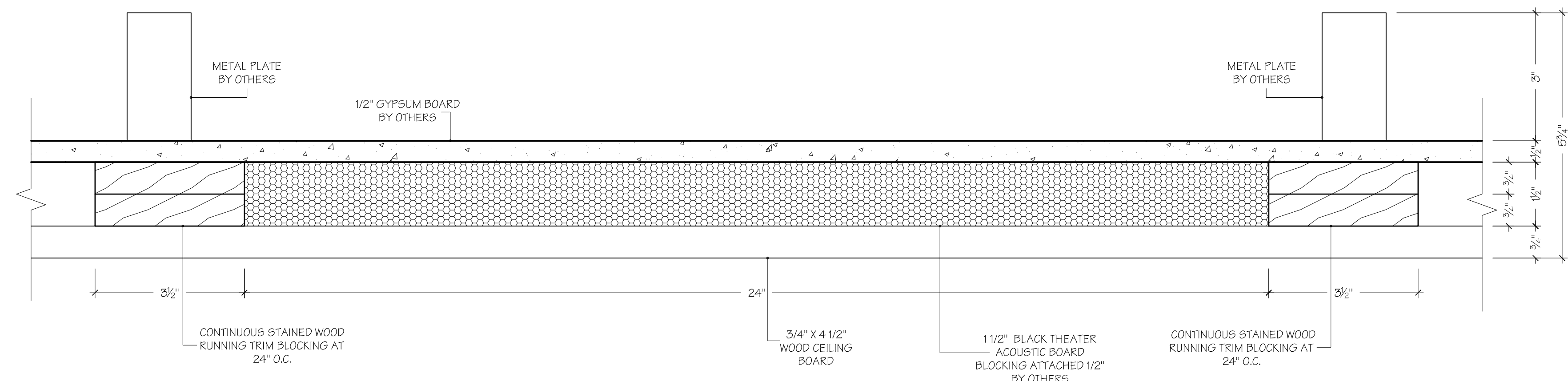
CONSTRUCTION NOTES:

MEMBER ARCHITECTURAL INSTITUTE
 1500 CHAMBERLAYNE AVE.
 Richmond, Virginia 23222
 804-213-0300
 804-213-0005 (FAX)
 www.karncustomwoodwork.com

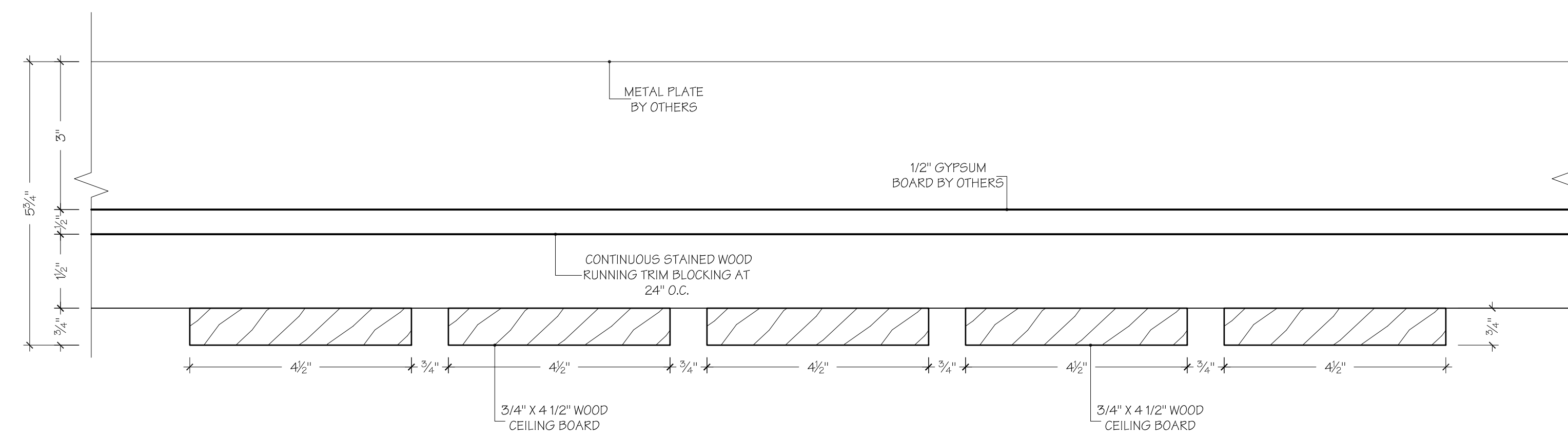
KARN CUSTOM WOODWORK



S4 SECTION PANEL
 SCALE: 1-1/2" = 1'-0" RECEPTION 1 100



D1 DETAILS CEILING
 SCALE: HALF RECEPTION 1 100



D2 DETAILS CEILING
 SCALE: HALF RECEPTION 1 100

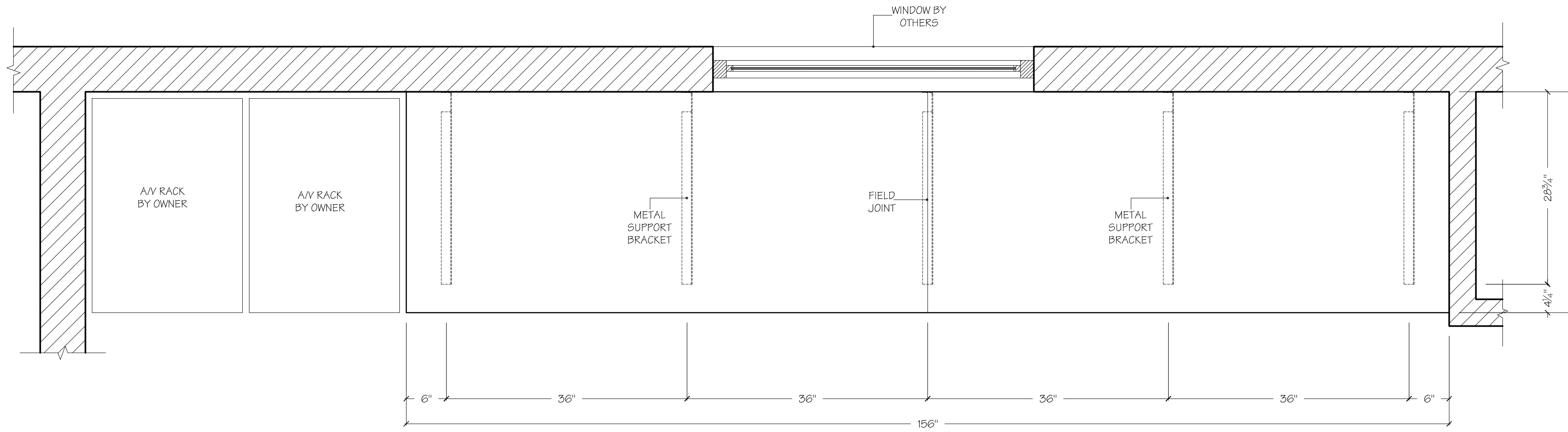
NO.	DATE	DESCRIPTION
1	03/26/2016	SUBMITTAL
2	03/30/2016	FOR APPROVAL
3		DATE 3
4		DATE 4

QCP NUMBER: 16.0266
 CUT BILL NO.:
 DRAWN BY: DK
 CHECKED BY: - G.G.

MONTPELLIER CLAUDE MOORE HALL
 MONTPELLIER STATION, VIRGINIA
 RECEPTION 1 100

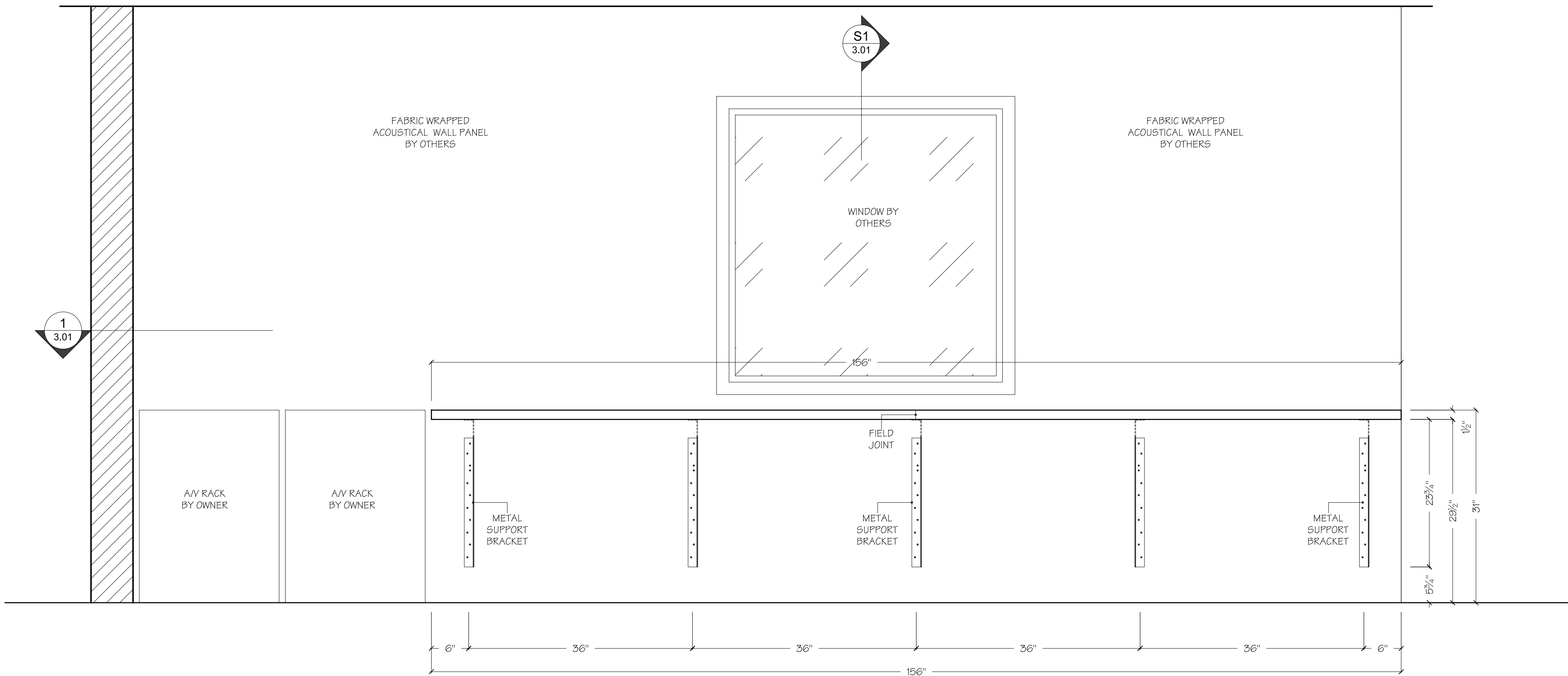
DRAWING NO.

2.08



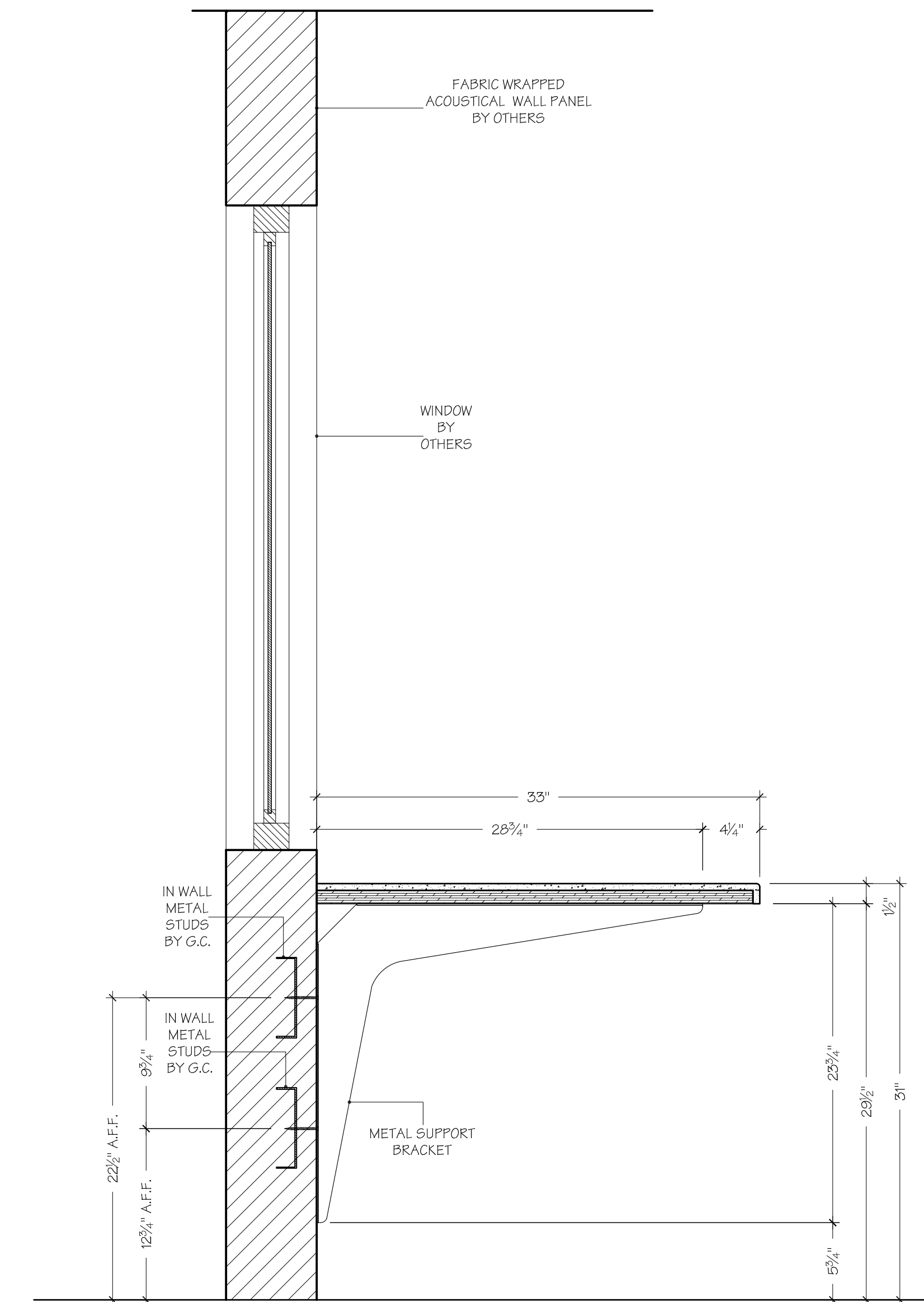
A
3.01

1 PLAN COUNTERTOP
SCALE: 1" = 1'-0" CONTROL ROOM 1 103
ARCH: 1/A2.1



1
3.01

A ELEVATION COUNTERTOP
SCALE: 1" = 1'-0" CONTROL ROOM 1 103
ARCH: 3/A6.03



S1 SECTION COUNTERTOP
SCALE: 1-1/2" = 1'-0" CONTROL ROOM 1 103
ARCH: F/A6.1

GENERAL NOTES

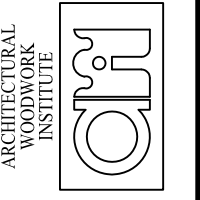
(CUSTOM & PREMIUM GRADE; NON-LEED CERTIFIED; NON-FSC CERTIFIED; F.R.; AFI CERTIFIED)

* COUNTERTOPS: SOLID SURFACE COUNTERTOPS CORIAN GROUP C SELECTIONS, 1/2" THICK

*HARDWARE:

-BRACKETS: A&M 24" x 29"

CONSTRUCTION NOTES:



1500 CHAMBERLAYNE AVE.
Richmond, Virginia 23222
804-213-0300
804-213-0005 (FAX)
www.karncustomwoodwork.com

KARN CUSTOM WOODWORK

1	03/26/2016	SUBMITTAL
2	03/30/2016	FOR APPROVAL
3		DATE 3
4		DATE 4

REVISIONS:

QCP NUMBER:	16.0266
CUT BILL NO.:	
DRAWN BY:	TK
CHECKED BY:	- G.G.

MONTPELIER CLAUDE MOORE HALL
MONTPELIER STATION, VIRGINIA
CONTROL ROOM 1 103

DRAWING NO.

3.01

GENERAL NOTES

(CUSTOM & PREMIUM GRADE; NON-LEED CERTIFIED; NON-FSC CERTIFIED; F.R.; AWI CERTIFIED)

- * WALL PANELING: PS BEECH, FINISHED TO MATCH APPROVED SAMPLE
- * CEILING TRIM: PS BEECH, FINISHED TO MATCH APPROVED SAMPLE
- * REVEALS: PAINTED BLACK

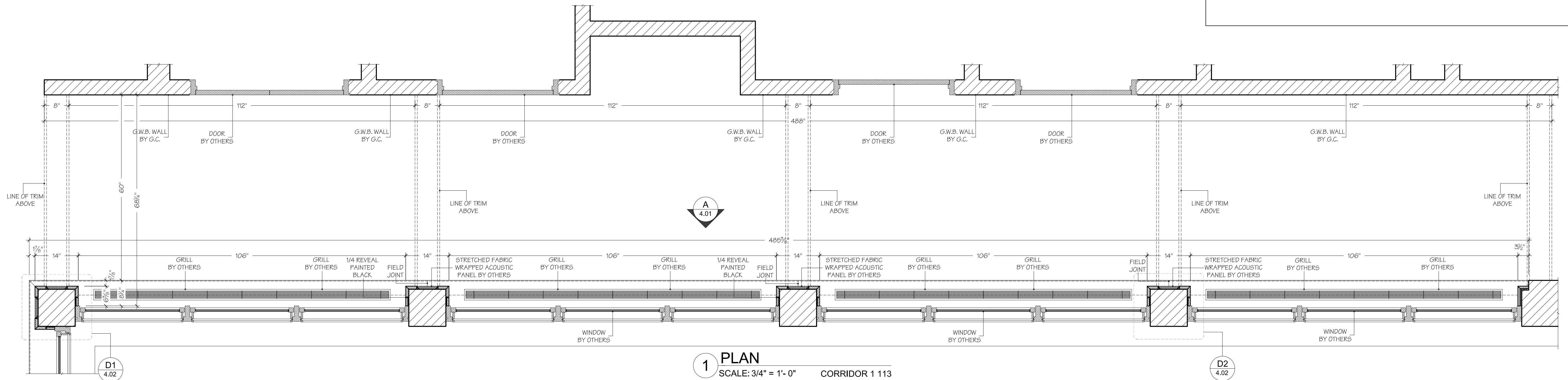
*HARDWARE:

CONSTRUCTION NOTES:

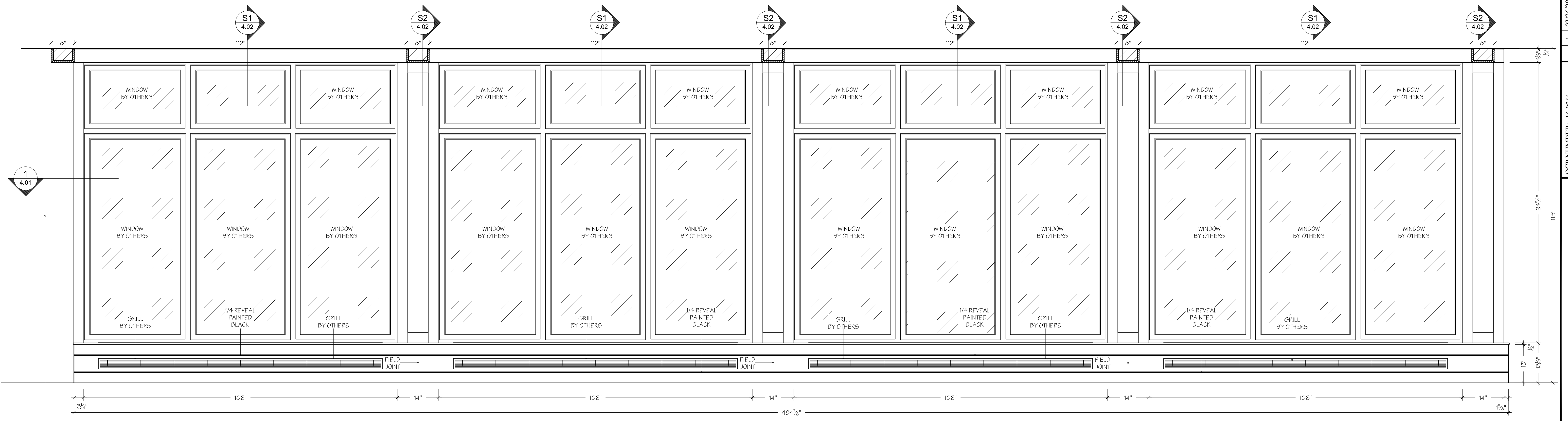


1500 CHAMBERLAYNE AVE.
Richmond, Virginia 23222
804 - 213 - 0300
804 - 213 - 0005 (FAX)
www.karncustomwoodwork.com

KARN CUSTOM WOODWORK



1 PLAN
SCALE: 3/4" = 1'-0" CORRIDOR 1 113
ARCH: A2.1



B ELEVATION
SCALE: 3/4" = 1'-0" CORRIDOR 1 113

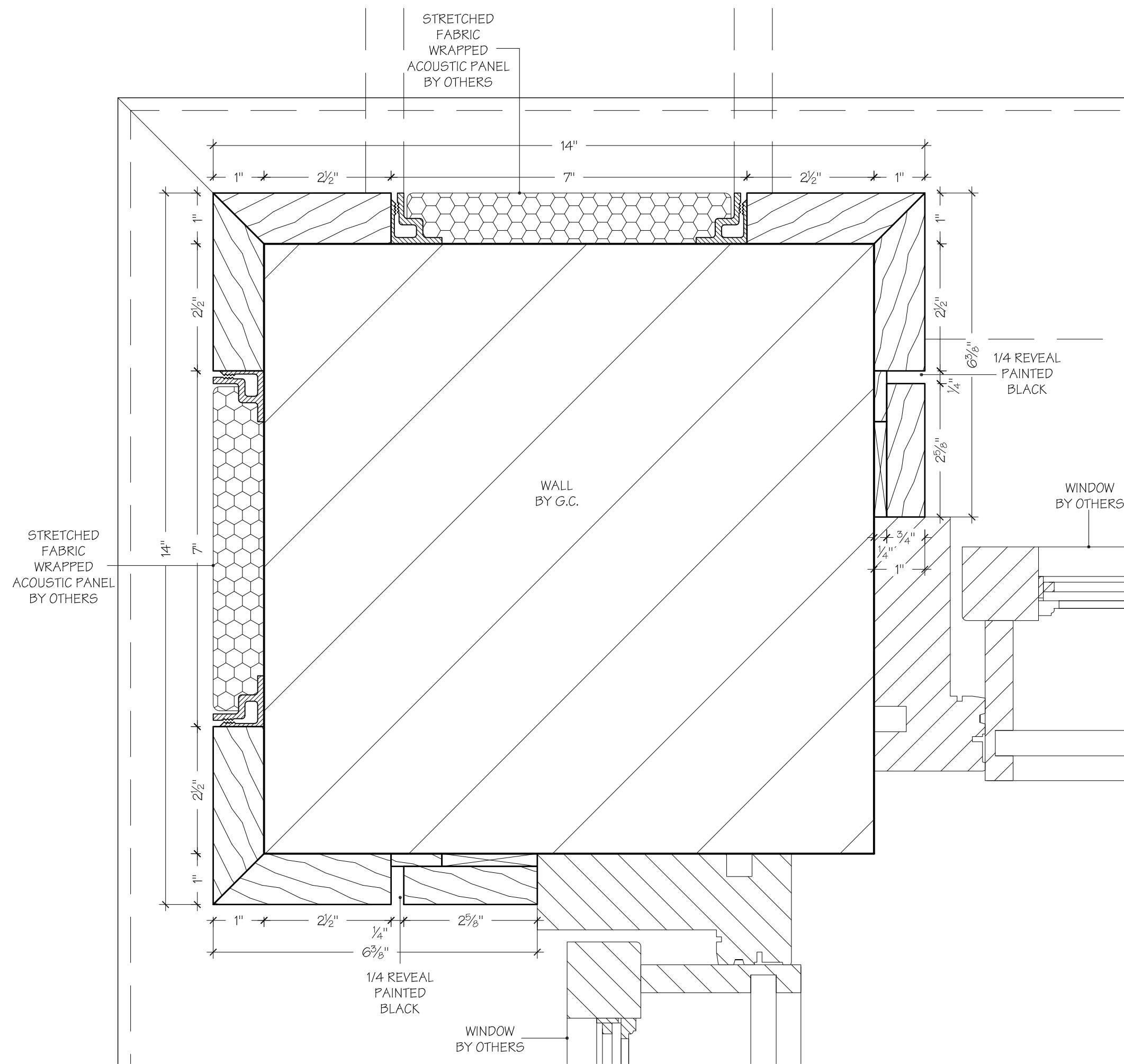
REVISIONS			
1	03/26/2016	SUBMITTAL	
2	03/30/2016	FOR APPROVAL	
3	DATE 3		
4	DATE 4		

QCP NUMBER: 16.0266
CUT BILL NO.:
DRAWN BY: BB
CHECKED BY: - G.C.

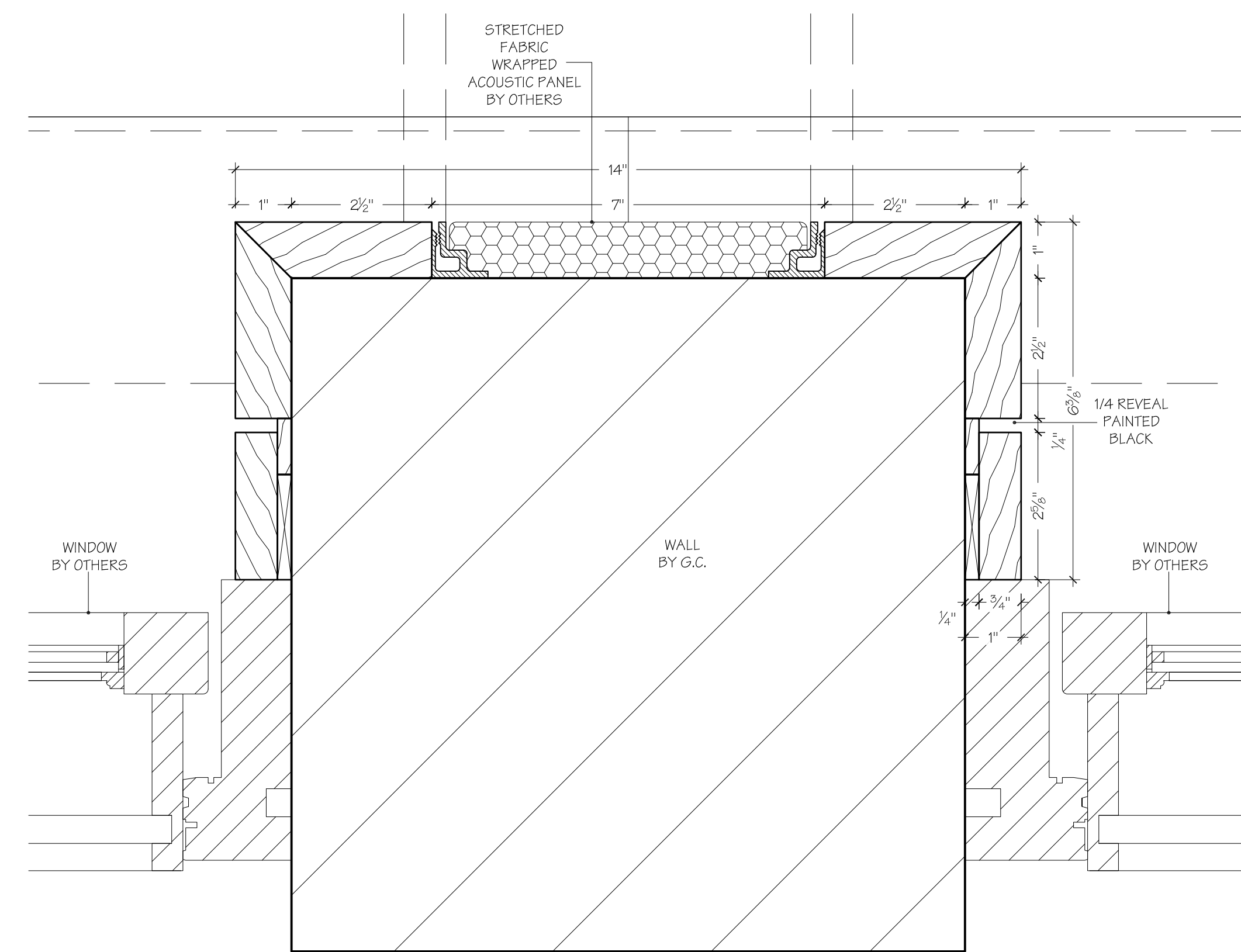
MONTPELIER CLAUDE MOORE HALL
MONTPELIER STATION, VIRGINIA
CORRIDOR 1 113

DRAWING NO.

4.01



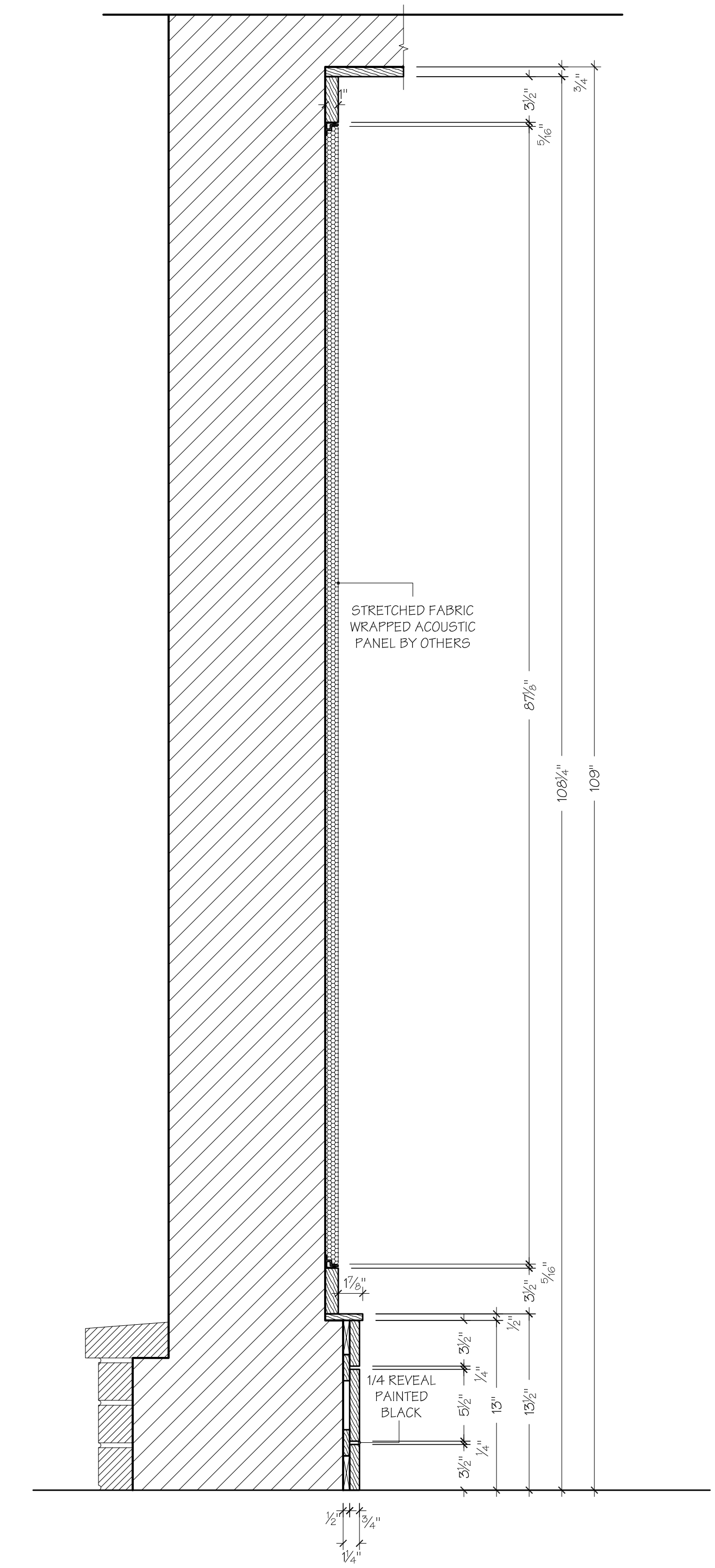
D1 DETAILS
SCALE: HALF CORRIDOR 1 113



D2 DETAILS
SCALE: HALF CORRIDOR 1 113



S1 SECTION
SCALE: 1-1/2" = 1'-0" CORRIDOR 1 113



S2 SECTION
SCALE: 1-1/2" = 1'-0" CORRIDOR 1 113

GENERAL NOTES

(CUSTOM & PREMIUM GRADE; NON-LEED CERTIFIED; NON-FSC CERTIFIED; F.R.; AWI CERTIFIED)

- * WALL PANELING: PS BEECH, FINISHED TO MATCH APPROVED SAMPLE
- * CEILING TRIM: PS BEECH, FINISHED TO MATCH APPROVED SAMPLE
- * REVEALS: PAINTED BLACK

*HARDWARE:

CONSTRUCTION NOTES:



1500 CHAMBERLAYNE AVE.
Richmond, Virginia 23222
804-213-0300
804-213-0005 (FAX)
www.karncustomwoodwork.com

KARN CUSTOM WOODWORK

NO.	REVISIONS
1	03/26/2016 SUBMITTAL
2	03/30/2016 FOR APPROVAL
3	DATE 3
4	DATE 4

QCP NUMBER: 16.0266
CUT BILL NO.:
DRAWN BY: BB
CHECKED BY: - G.C.

MONTPELIER CLAUDE MOORE HALL
MONTPELIER STATION, VIRGINIA
CORRIDOR 1 113

DRAWING NO.

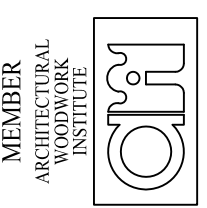
GENERAL NOTES

(CUSTOM & PREMIUM GRADE; NON-LEED CERTIFIED; NON-FSC CERTIFIED; F.R.; AWI CERTIFIED)

- * CEILING TRIM: RECLAIMED PINE, FINISHED TO MATCH
- * WALL TRIM: APPROVED SAMPLE

*HARDWARE:

CONSTRUCTION NOTES:



1500 CHAMBERLAYNE AVE.
Richmond, Virginia 23222
804 - 213 - 0300
804 - 213 - 0005 (FAX)
www.karncustomwoodwork.com

KARN CUSTOM WOODWORK

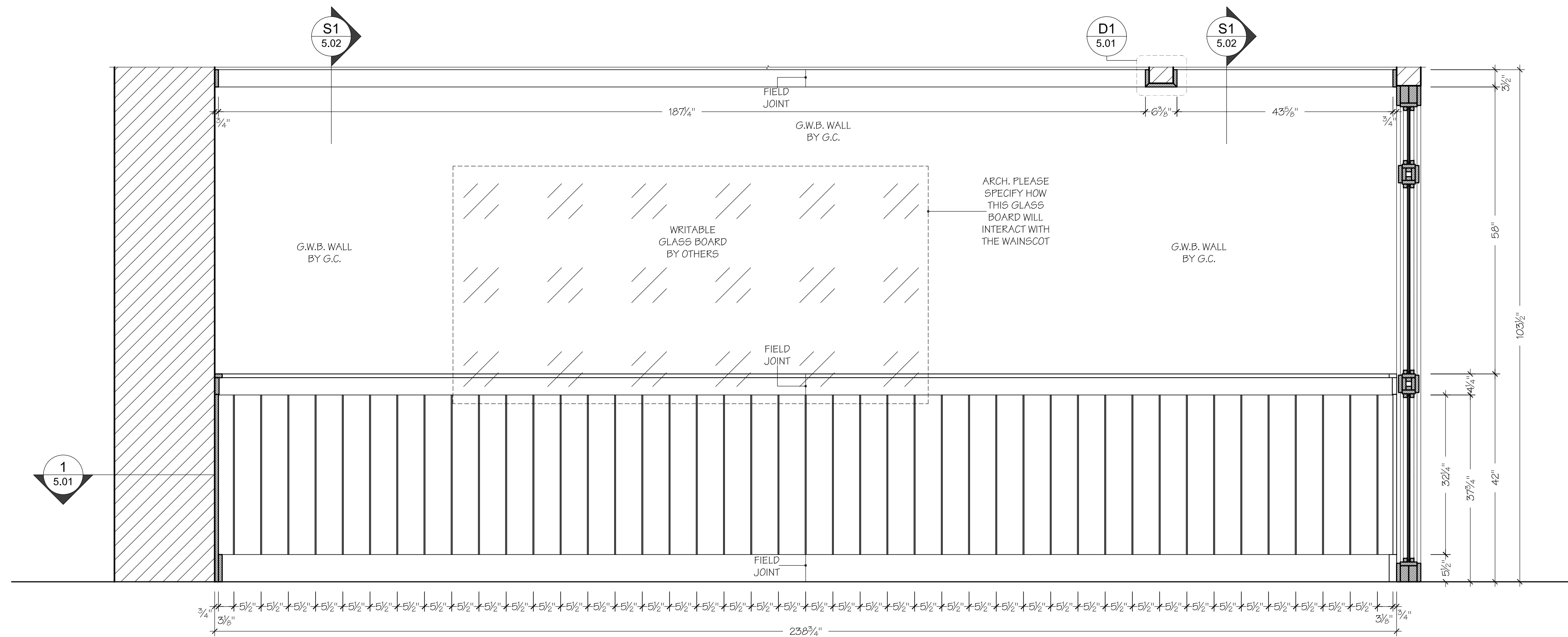
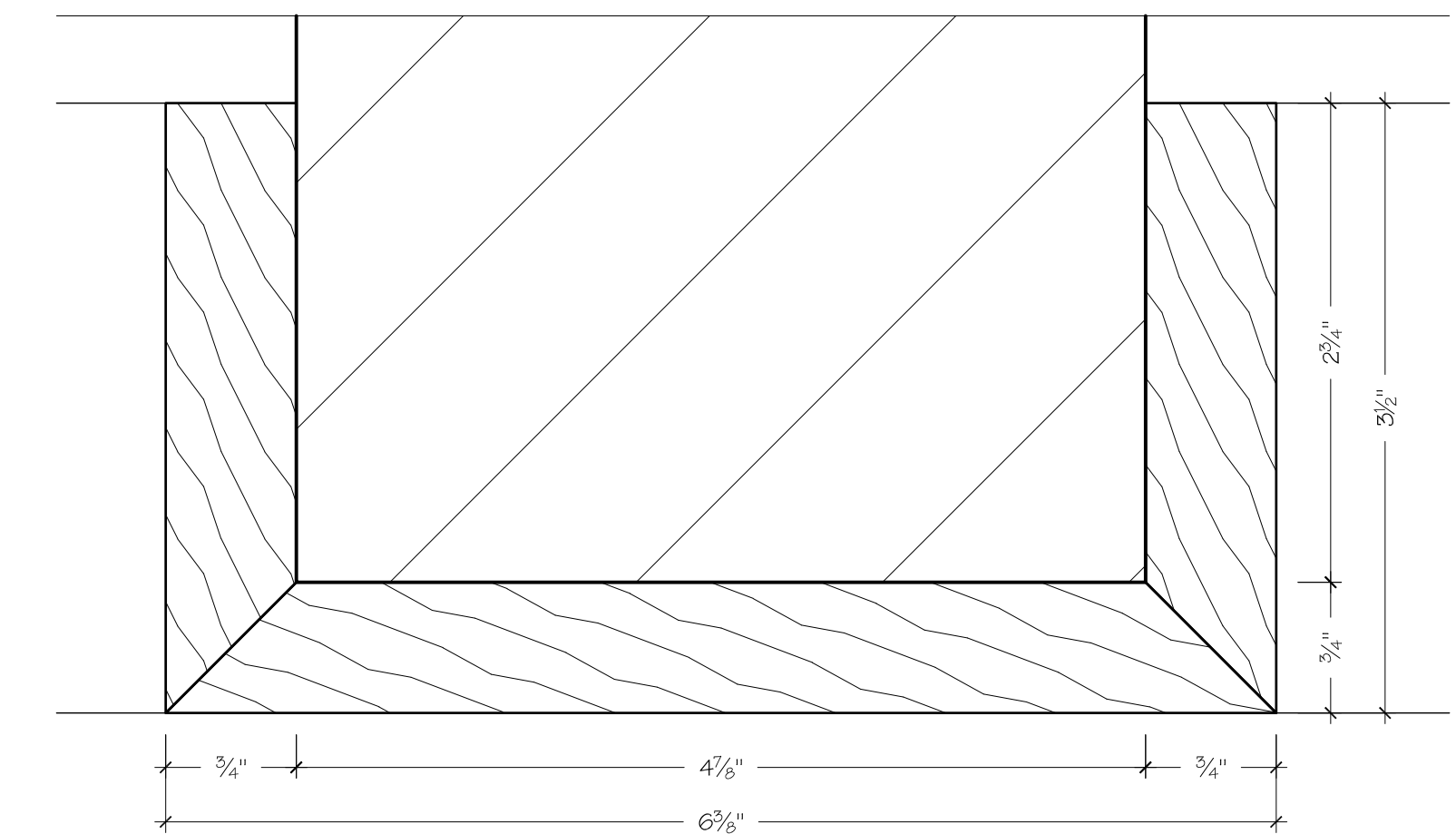
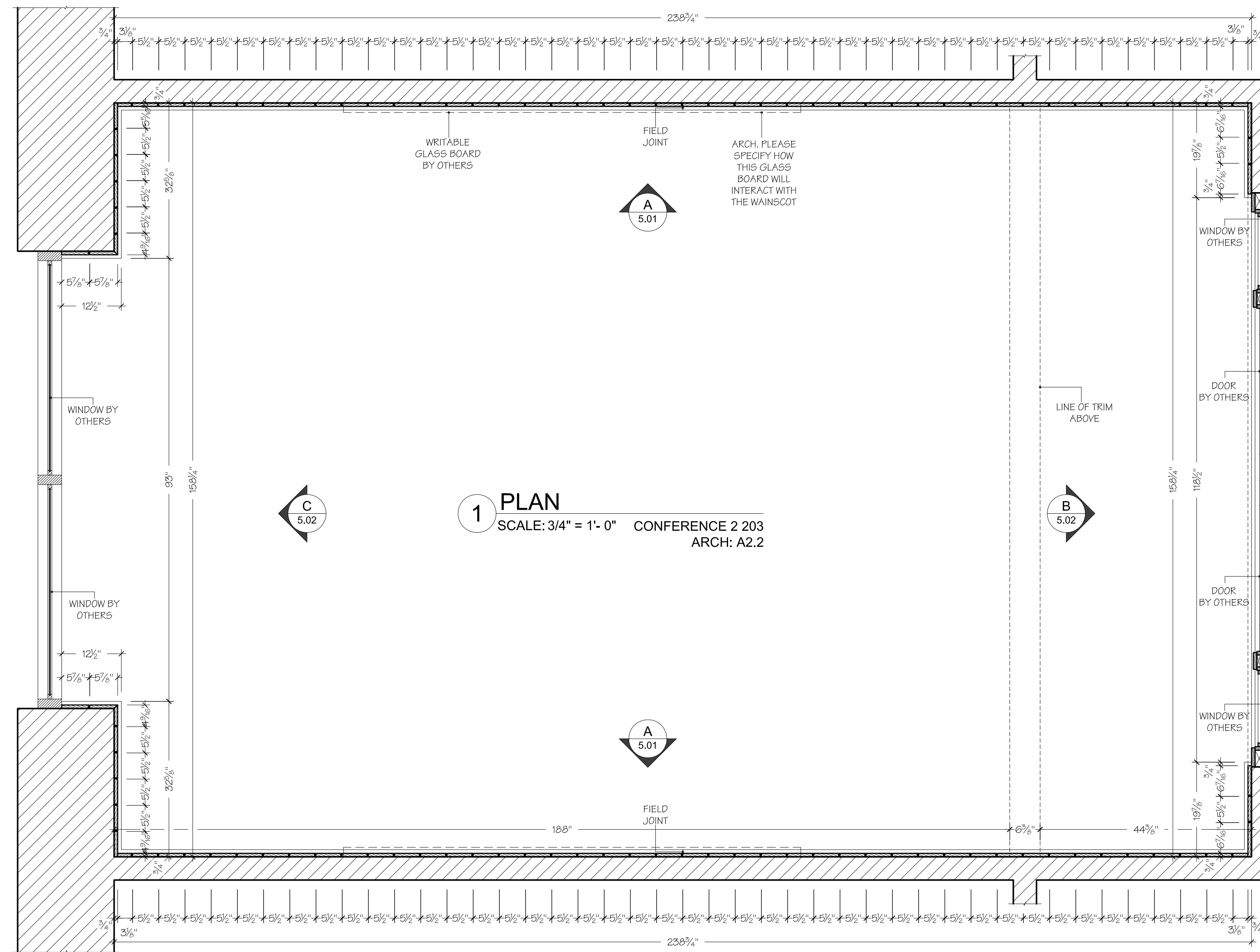
NO.	REVISIONS
1	03/26/2016 SUBMITTAL
2	03/30/2016 FOR APPROVAL
3	DATE 3
4	DATE 4

QCP NUMBER: 16.0266
CUT BILL NO.:
DRAWN BY: BB
CHECKED BY: - G.G.

MONTPELLIER CLAUDE MOORE HALL
MONTPELLIER STATION, VIRGINIA
CONFERENCE 2.203

DRAWING NO.

5.01



A ELEVATION
SCALE: 3/4" = 1'-0" SIMILAR
CONFERENCE 2.203
ARCH: A6.2/2B

GENERAL NOTES

(CUSTOM & PREMIUM GRADE; NON-LEED CERTIFIED; NON-FSC CERTIFIED; F.R.; AW CERTIFIED)

- * WALL PANELING: PS BEECH VENEER, BOOK AND RUNNING MATCH, ON FIRE-TREATED CORE FINISHED TO MATCH APPROVED SAMPLE
- * WALL TRIM: PS BEECH, FINISHED TO MATCH APPROVED SAMPLE
- * CEILING TRIM: PS BEECH, FINISHED TO MATCH APPROVED SAMPLE
- * REVEALS: PS BEECH, FINISHED TO MATCH APPROVED SAMPLE PAINTED BLACK

*HARDWARE:
-1/4"ZCLIPS

CONSTRUCTION NOTES:



1500 CHAMBERLAYNE AVE.
Richmond, Virginia 23222
804-213-0300
804-213-0005 (FAX)
www.karncustomwoodwork.com

KARN CUSTOM WOODWORK

1	03/26/2016 SUBMITTAL
2	03/30/2016 FOR APPROVAL
3	DATE 3
4	DATE 4

REVISIONS:

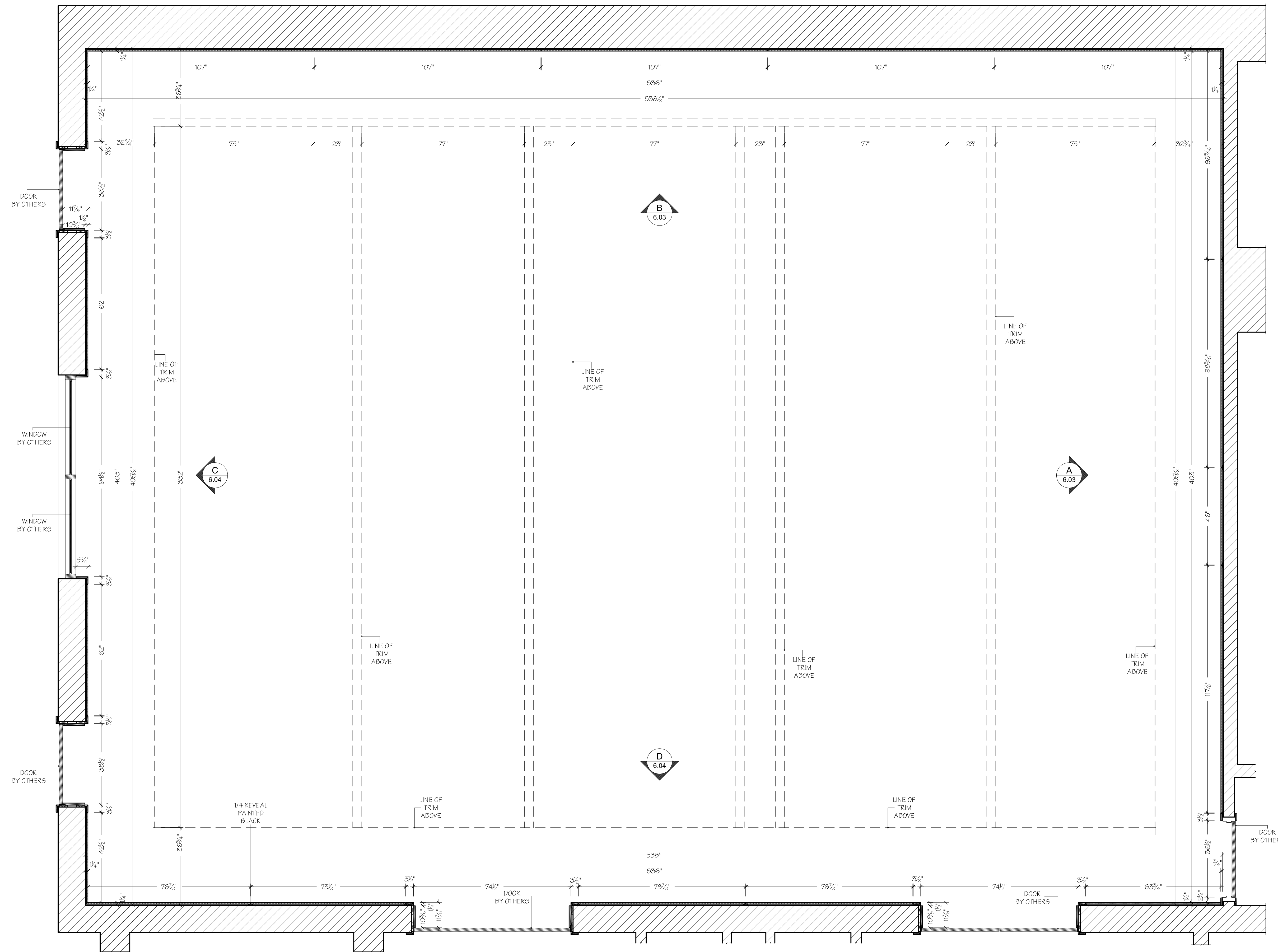
QCP NUMBER: 16.0266
CUT BILL NO.:
DRAWN BY: BB
CHECKED BY: - G.G.

MONTPELIER CLAUDE MOORE HALL
MONTPELIER STATION, VIRGINIA

CONFERENCE 2.203

DRAWING NO.

6.01



1 PLAN
SCALE: 1/2" = 1'- 0" CLASSROOM 1 101
ARCH: A2.1

GENERAL NOTES

(CUSTOM & PREMIUM GRADE; NON-LEED CERTIFIED; NON-FSC CERTIFIED; F.R.; AW CERTIFIED)

- * WALL PANELING: PS BEECH VENEER, BOOK AND RUNNING MATCH, ON FIRE-TREATED CORE FINISHED TO MATCH APPROVED SAMPLE
- * WALL TRIM: PS BEECH, FINISHED TO MATCH APPROVED SAMPLE
- * CEILING TRIM: PS BEECH, FINISHED TO MATCH APPROVED SAMPLE
- * REVEALS: PS BEECH, FINISHED TO MATCH APPROVED SAMPLE PAINTED BLACK

*HARDWARE:
-1/4"ZCLIPS

CONSTRUCTION NOTES:



1500 CHAMBERLAYNE AVE.
Richmond, Virginia 23222
804 - 213 - 0300
804 - 213 - 0005 (FAX)
www.karncustomwoodwork.com

KARN CUSTOM WOODWORK

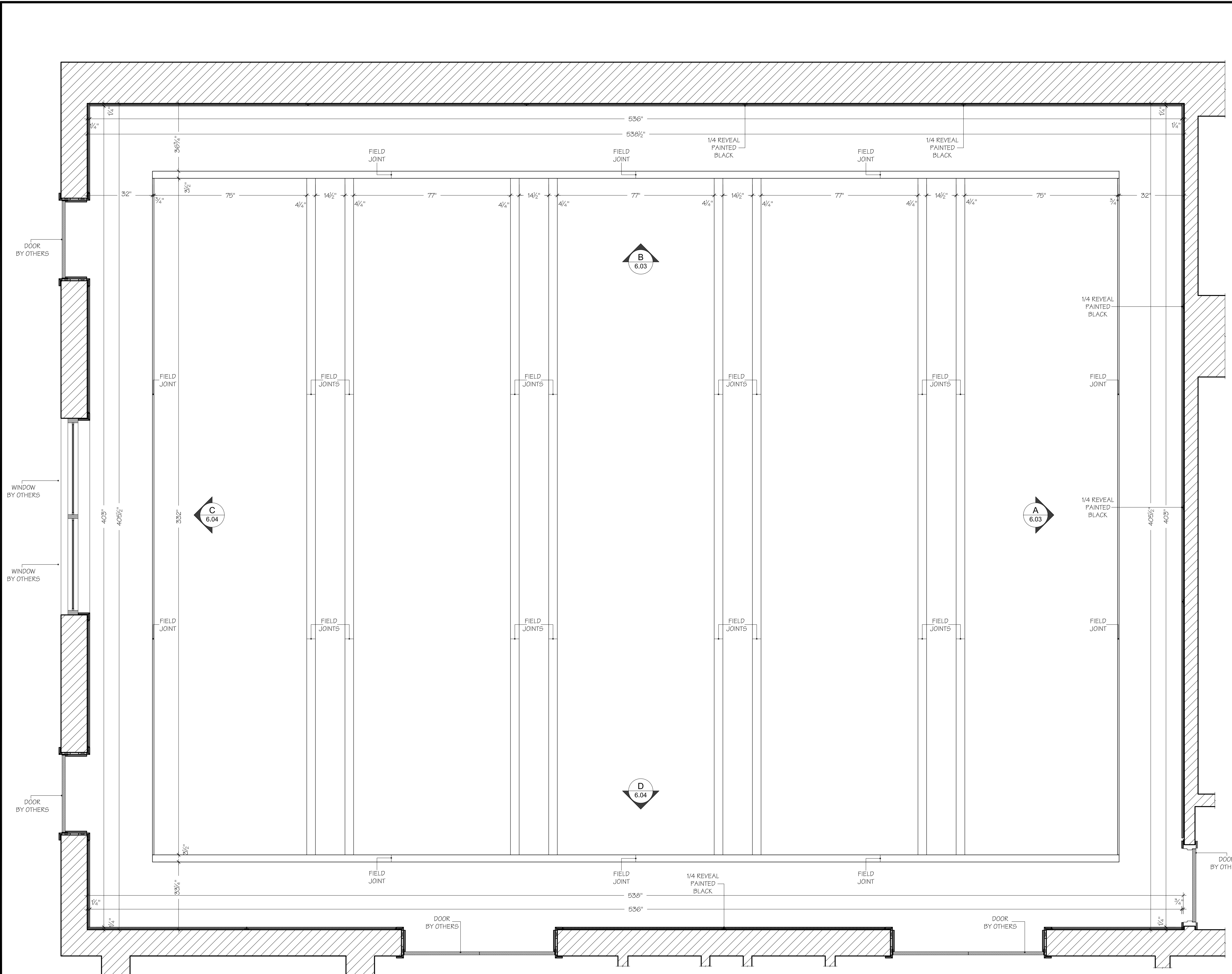
1	03/26/2016 SUBMITTAL
2	03/30/2016 FOR APPROVAL
3	DATE 3
4	DATE 4

QCP NUMBER:	16.0266
CUT BILL NO.:	
DRAWN BY:	BB
CHECKED BY:	- G.G.

MONTPELIER CLAUDE MOORE HALL
MONTPELIER STATION, VIRGINIA
CONFERENCE 2.203

DRAWING NO.

6.02



2 REFLECTED CEILING PLAN
SCALE: 1/2" = 1'-0"

RECEPTION 1 101
ARCH: A2.1

GENERAL NOTES

(CUSTOM & PREMIUM GRADE; NON-LEED CERTIFIED; NON-FSC CERTIFIED; F.R.; AW CERTIFIED)

- * WALL PANELING: PS BEECH VENEER, BOOK AND RUNNING MATCH, ON FIRE-TREATED CORE FINISHED TO MATCH APPROVED SAMPLE
- * WALL TRIM: PS BEECH, FINISHED TO MATCH APPROVED SAMPLE
- * CEILING TRIM: PS BEECH, FINISHED TO MATCH APPROVED SAMPLE
- * REVEALS: PS BEECH, FINISHED TO MATCH APPROVED SAMPLE PAINTED BLACK

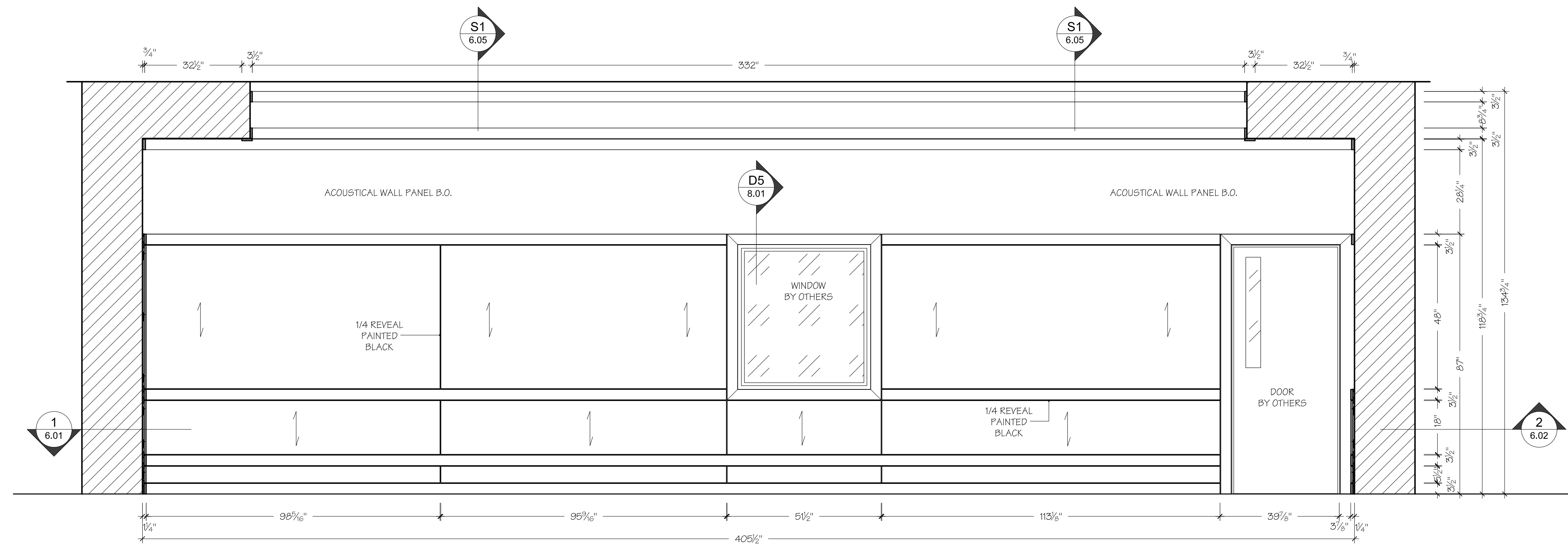
*HARDWARE:
-1/4"ZCLIPS

CONSTRUCTION NOTES:

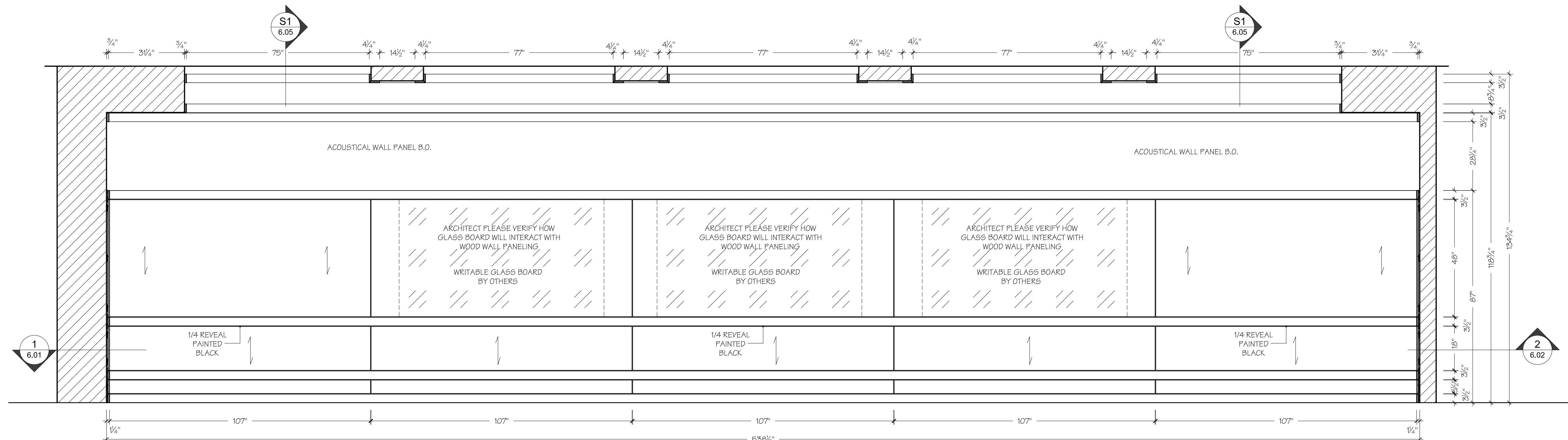


1500 CHAMBERLAYNE AVE,
Richmond, Virginia 23222
804-213-0300
804-213-0005 (FAX)
www.karncustomwoodwork.com

KARN CUSTOM WOODWORK



A ELEVATION
SCALE: 1/2" = 1'-0"
CLASSROOM 1 101
ARCH: A6.2/1C



B ELEVATION
SCALE: 1/2" = 1'-0"
CLASSROOM 1 101
ARCH: A6.2/1A

1	03/26/2016 SUBMITTAL
2	03/30/2016 FOR APPROVAL
3	DATE 3
4	DATE 4

QCP NUMBER: 16.0266
CUT BILL NO.:
DRAWN BY: BB
CHECKED BY: - G.G.

MONTPELIER CLAUDE MOORE HALL
MONTPELIER STATION, VIRGINIA
CONFERENCE 2.203

DRAWING NO.

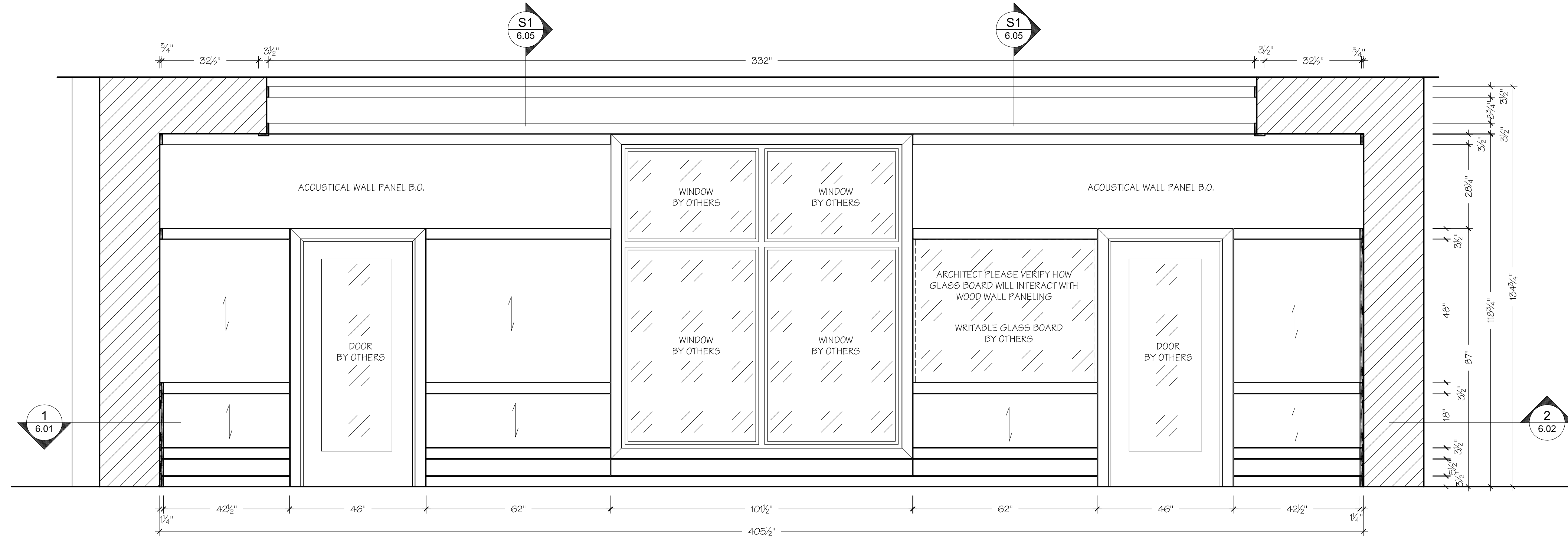
GENERAL NOTES

- (CUSTOM & PREMIUM GRADE; NON-LEED CERTIFIED; NON-FSC CERTIFIED; F.R.; AW CERTIFIED)
- * WALL PANELING: PS BEECH VENEER, BOOK AND RUNNING MATCH, ON FIRE-TREATED CORE FINISHED TO MATCH APPROVED SAMPLE
 - * WALL TRIM: PS BEECH, FINISHED TO MATCH APPROVED SAMPLE
 - * CEILING TRIM: PS BEECH, FINISHED TO MATCH APPROVED SAMPLE
 - * REVEALS: PS BEECH, FINISHED TO MATCH APPROVED SAMPLE PAINTED BLACK
- *HARDWARE:
-1/4"ZCLIPS
- CONSTRUCTION NOTES:

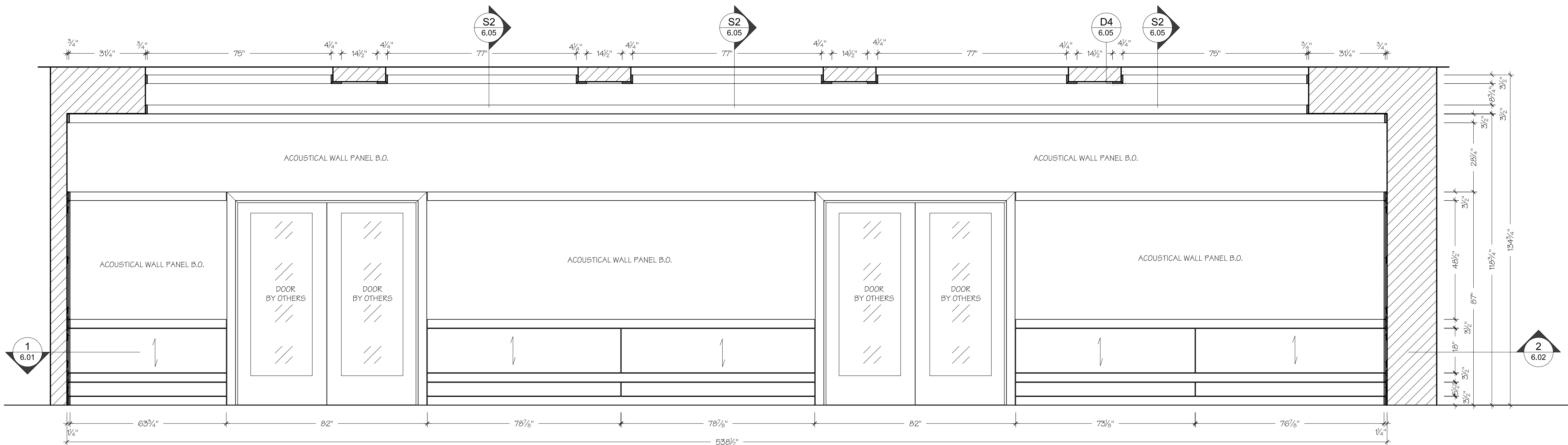


1500 CHAMBERLAYNE AVE.
Richmond, Virginia 23222
804-213-0300
804-213-0005 (FAX)
www.karncustomwoodwork.com

KARN CUSTOM WOODWORK



C ELEVATION
SCALE: 1/2" = 1'-0"
CLASSROOM 1 101
ARCH: A6.2/1A

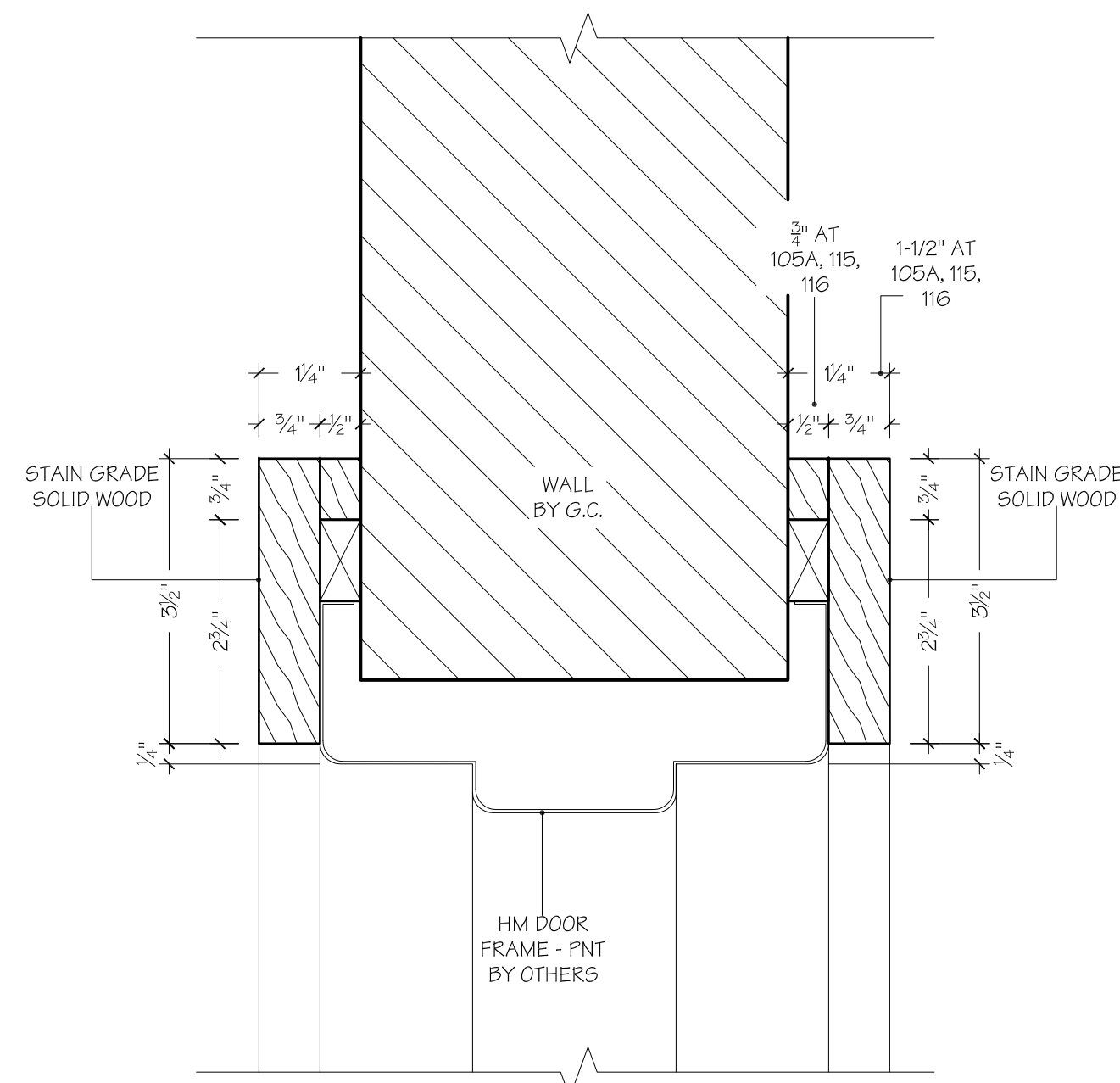


D ELEVATION
SCALE: 1/2" = 1'-0"
CLASSROOM 1 101
ARCH: A6.2/1D

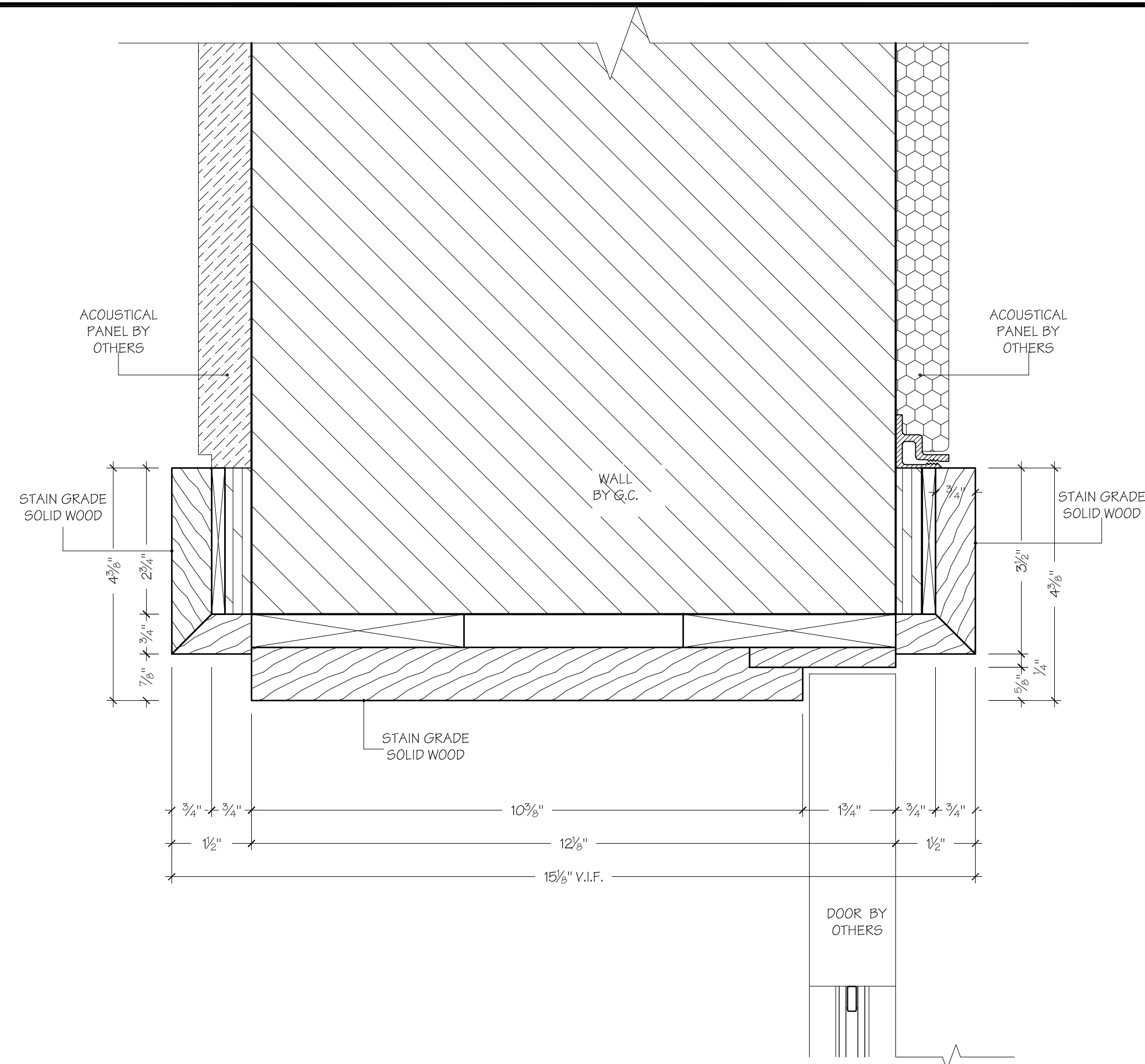
1	03/26/2016 SUBMITTAL
2	03/30/2016 FOR APPROVAL
3	DATE 3
4	DATE 4

QCP NUMBER:	16.0266
CUT BILL NO.:	
DRAWN BY:	BB
CHECKED BY:	- G.G.

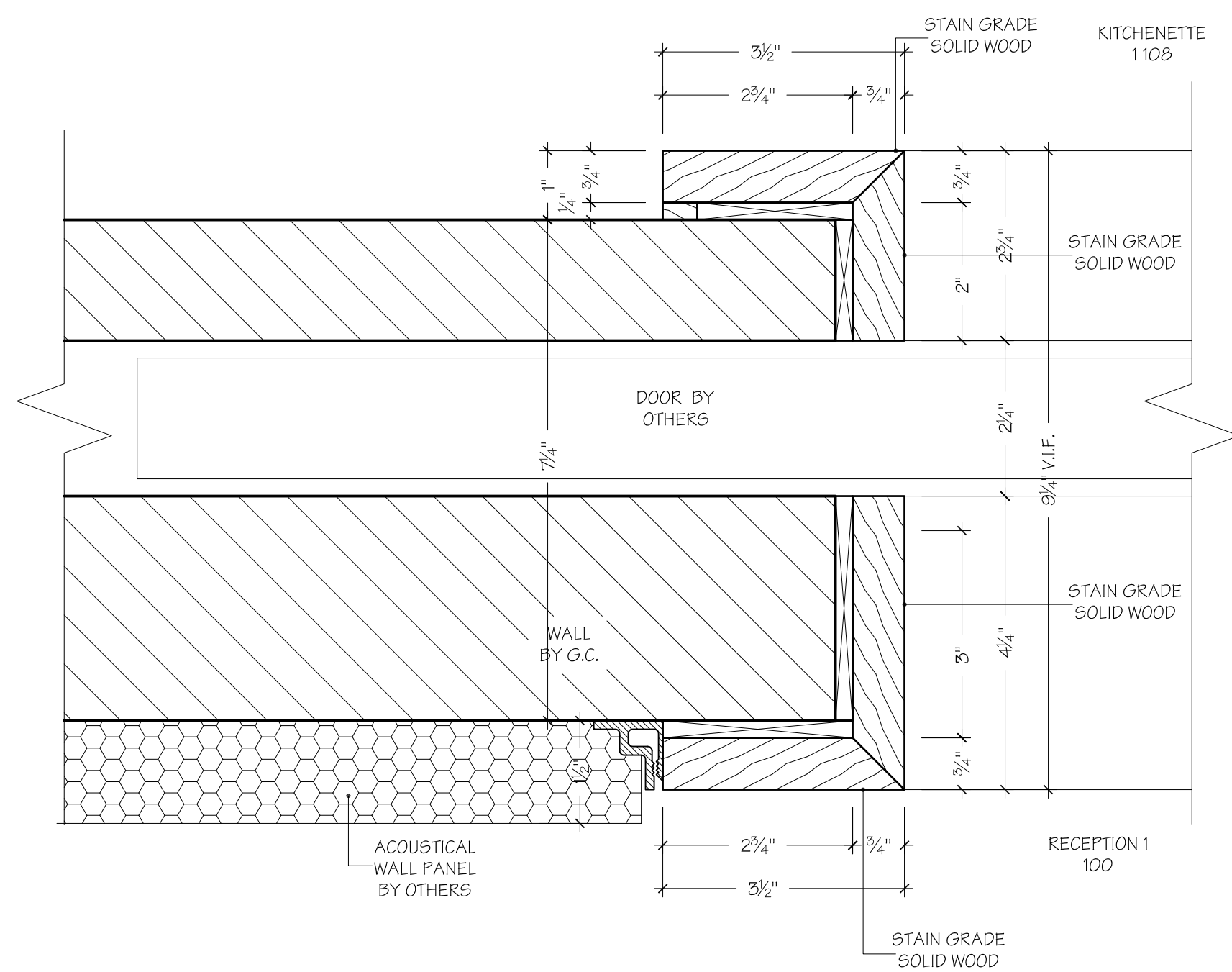
MONTPELIER CLAUDE MOORE HALL
MONTPELIER STATION, VIRGINIA
CONFERENCE 2.203



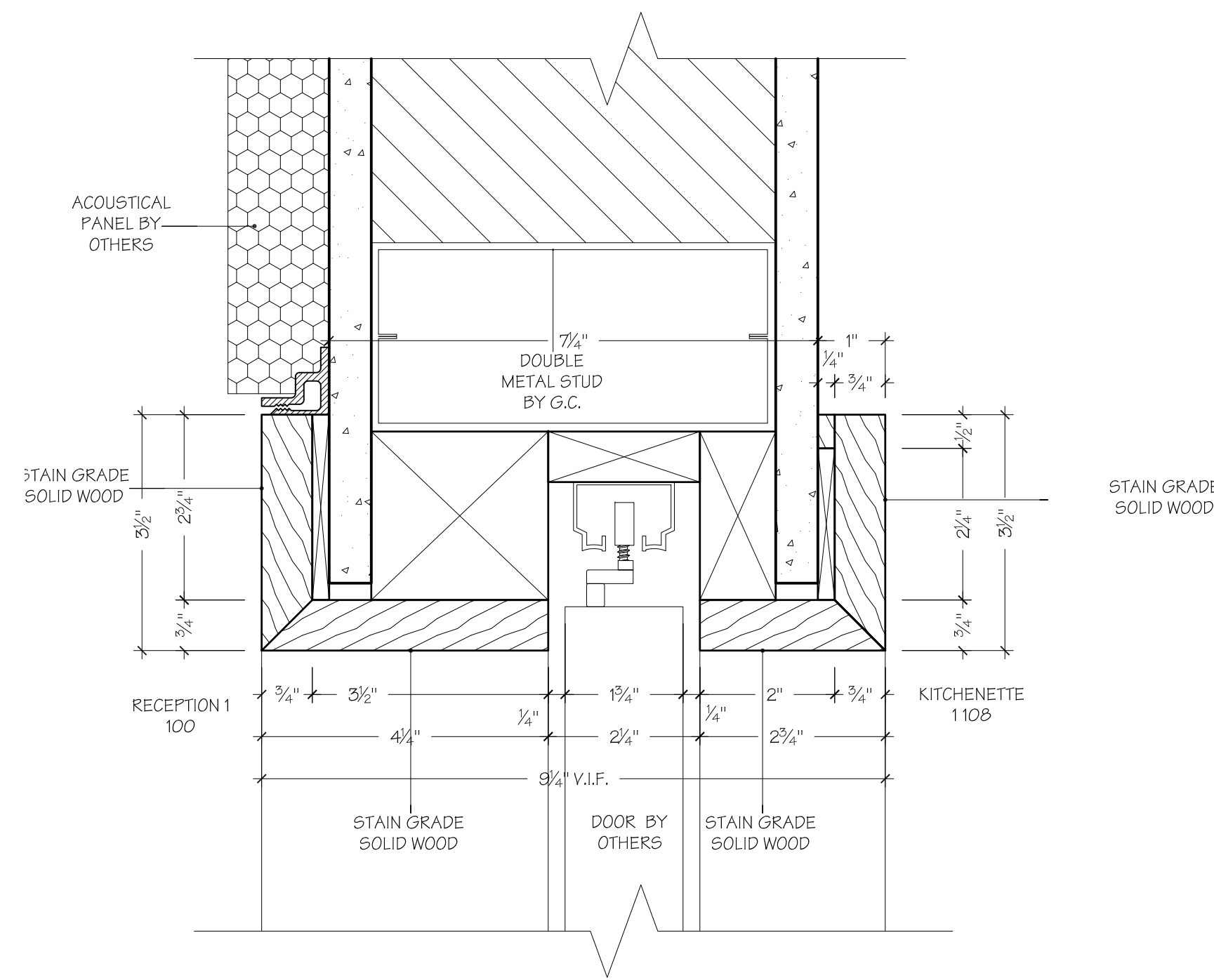
D1 SECTION DETAILS
SCALE: HALF
DOOR HEAD
QTY (12) DOORS: 103, 104A, 105A, 106, 108A, 109A, 110, 111A, 112, 114, 115, 116
ARCH: 4/A8.1



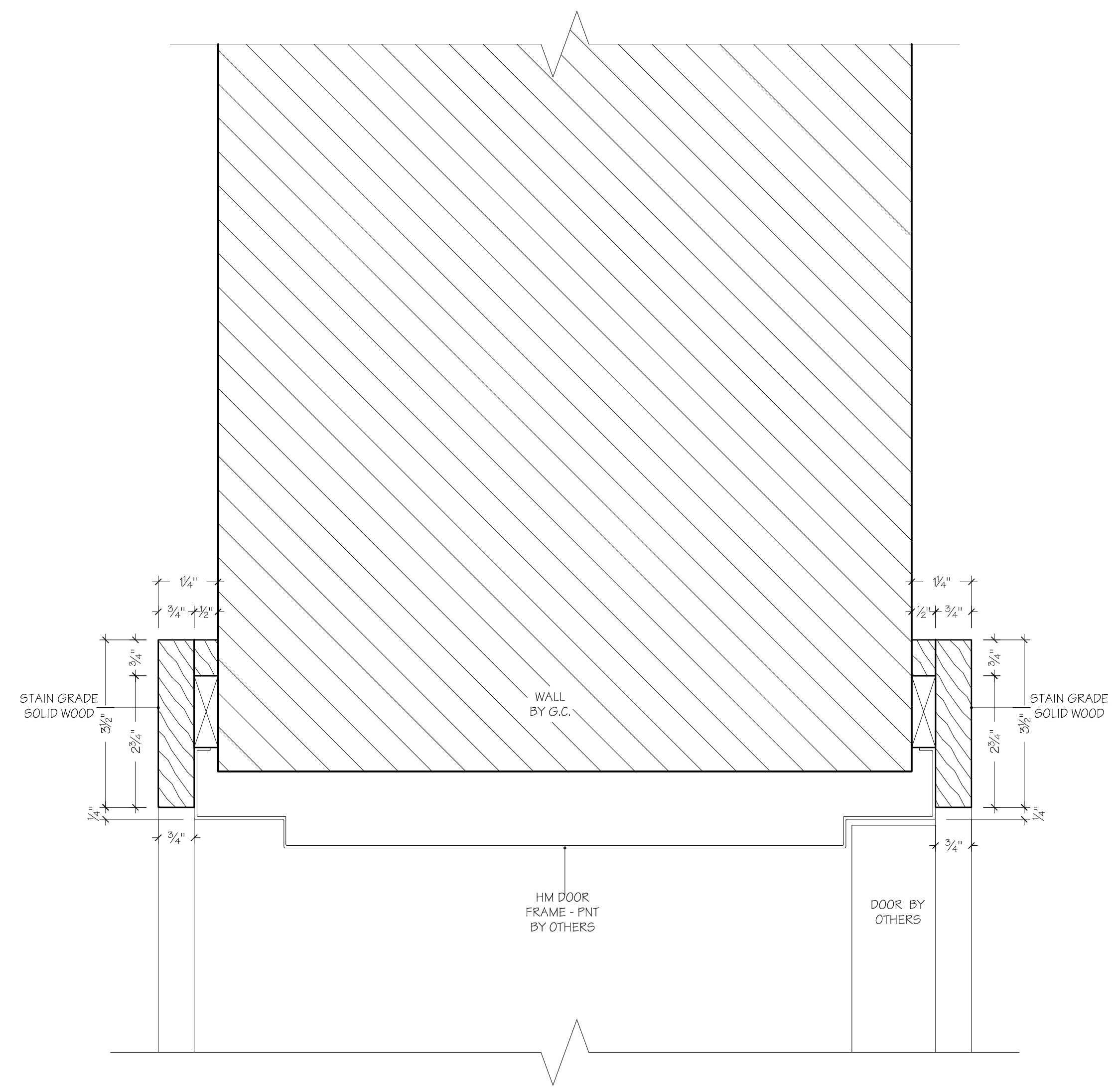
D2 SECTION DETAILS
SCALE: HALF
DOOR HEAD/JAMB
QTY(2) DOORS: 101A, 101B
ARCH: 5/A8.1



D3 SECTION DETAILS
SCALE: HALF
POCKET DOOR
108B
ARCH: 7/A8.1



D4 SECTION DETAILS
SCALE: HALF
POCKET DOOR
108B
ARCH: 8/A8.1



D5 SECTION DETAILS
SCALE: HALF
DOOR HEAD
QTY(2) DOORS: 105B, 109B
ARCH: 9/A8.1

GENERAL NOTES

(CUSTOM & PREMIUM GRADE; NON-LEED CERTIFIED; NON-FSC CERTIFIED; F.R.; AWI CERTIFIED)

* DOOR TRIM: PS BEECH, FINISHED TO MATCH APPROVED SAMPLE

*HARDWARE:

CONSTRUCTION NOTES:



1500 CHAMBERLAYNE AVE.
Richmond, Virginia 23222
804-213-0300
804-213-0005 (FAX)
www.karncustomwoodwork.com

KARN CUSTOM WOODWORK

1	03/26/2016	SUBMITTAL
2	03/30/2016	FOR APPROVAL
3		DATE 3
4		DATE 4

REVISIONS:

QCP NUMBER: 16.0266
CUT BILL NO.:
DRAWN BY: TK
CHECKED BY: - G.G.

MONTPELIER CLAUDE MOORE HALL
MONTPELIER STATION, VIRGINIA
DOOR CASING AND JAMB

DRAWING NO.

GENERAL NOTES

(CUSTOM & PREMIUM GRADE; NON-LEED CERTIFIED; NON-FSC CERTIFIED; F.R.; AWI CERTIFIED)

* DOOR TRIM: PS BEECH, FINISHED TO MATCH APPROVED SAMPLE

*HARDWARE:

CONSTRUCTION NOTES:



1500 CHAMBERLAYNE AVE.
Richmond, Virginia 23222
804 - 213 - 0300
804 - 213 - 0005 (FAX)
www.karncustomwoodwork.com

KARN CUSTOM WOODWORK

1	03/26/2016 SUBMITTAL
2	03/30/2016 FOR APPROVAL
3	DATE 3
4	DATE 4

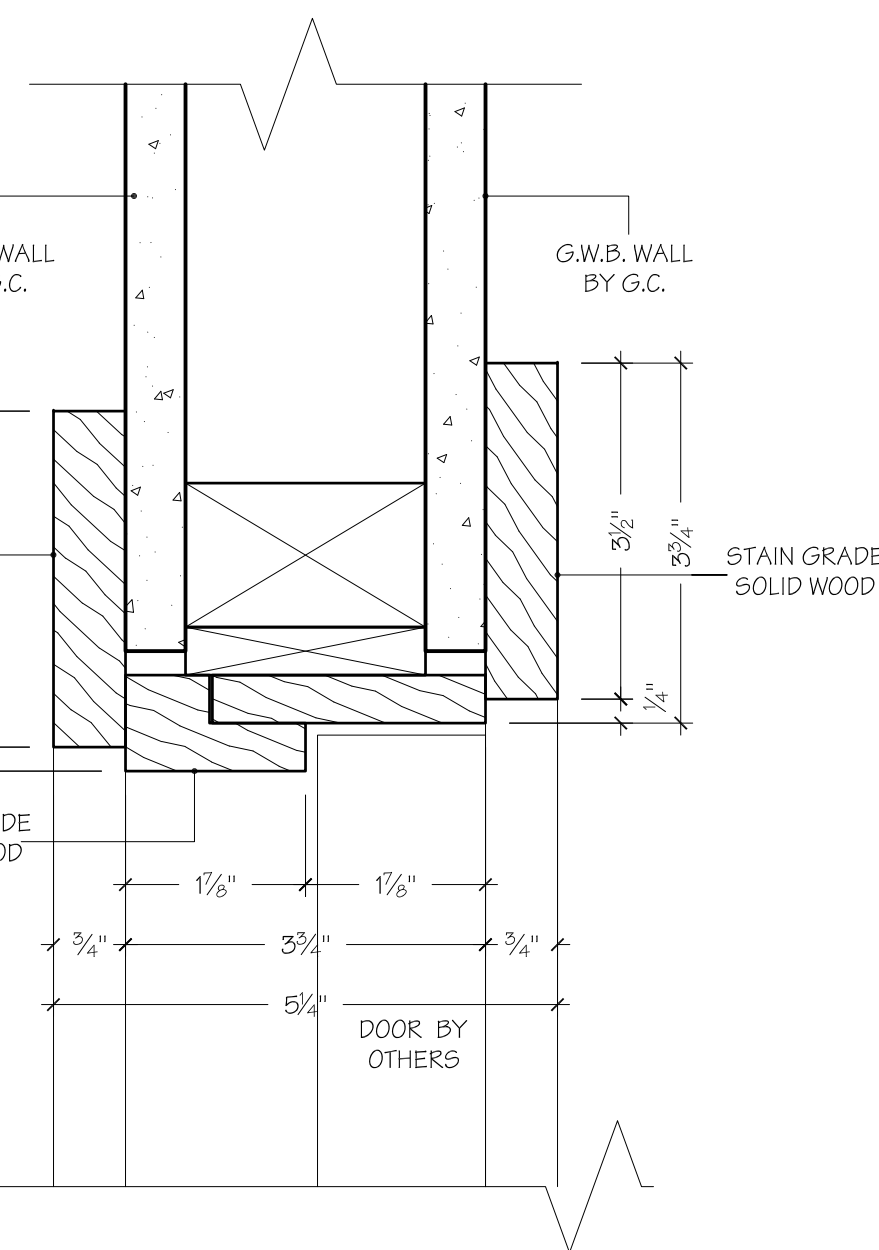
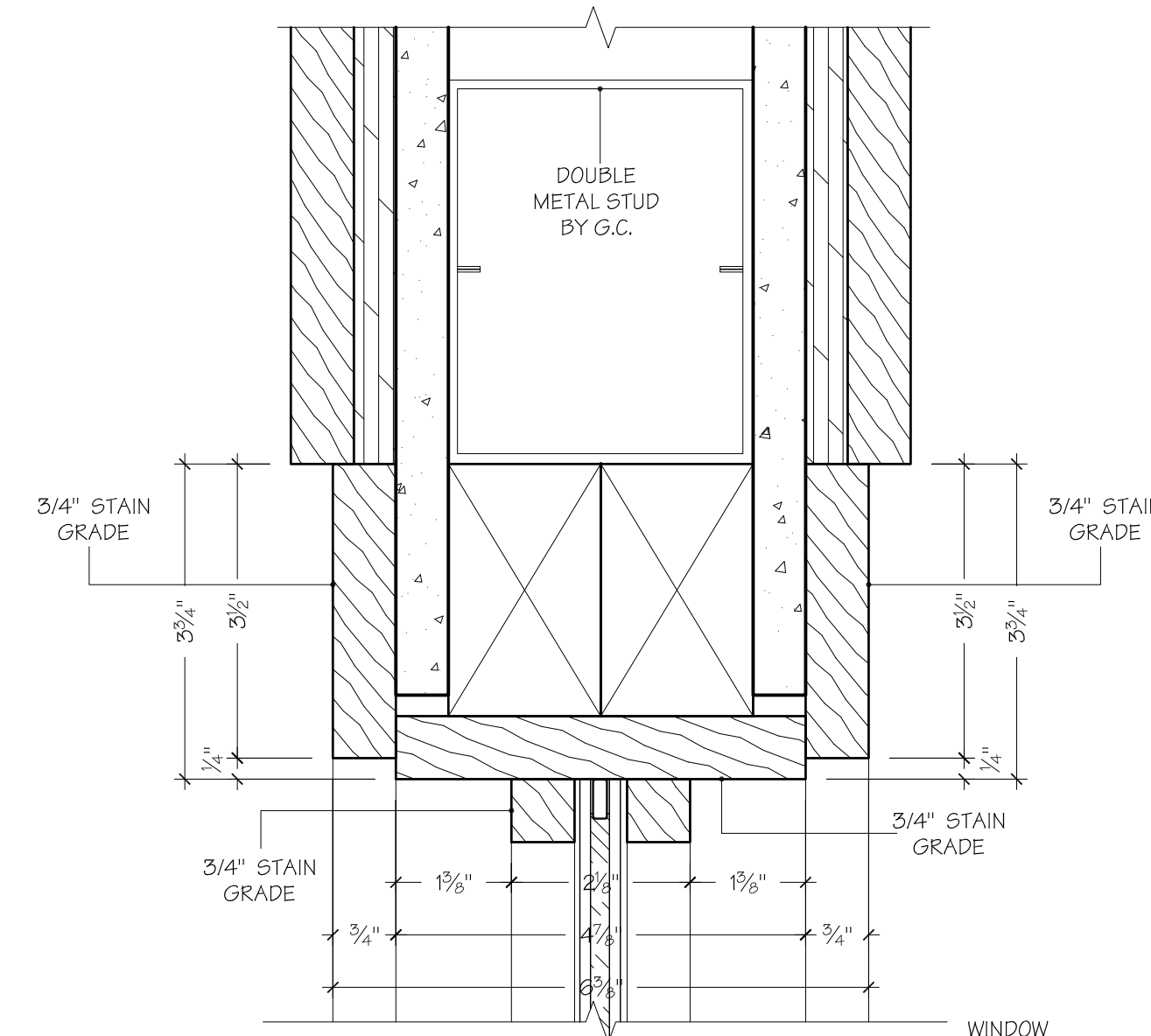
REVISIONS:

QCP NUMBER:	16.0266
CUT BILL NO.:	
DRAWN BY:	TK
CHECKED BY:	- G.G.

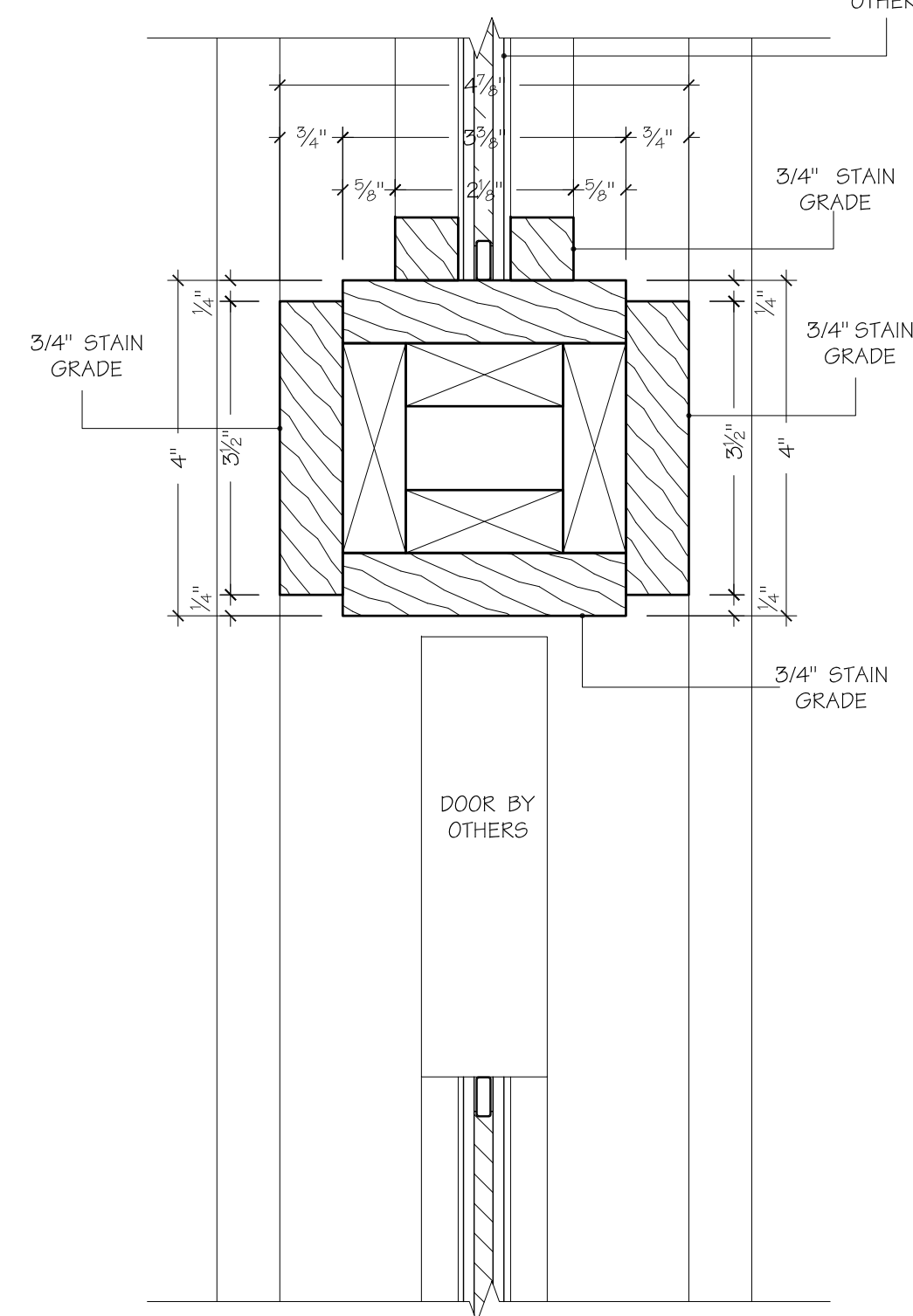
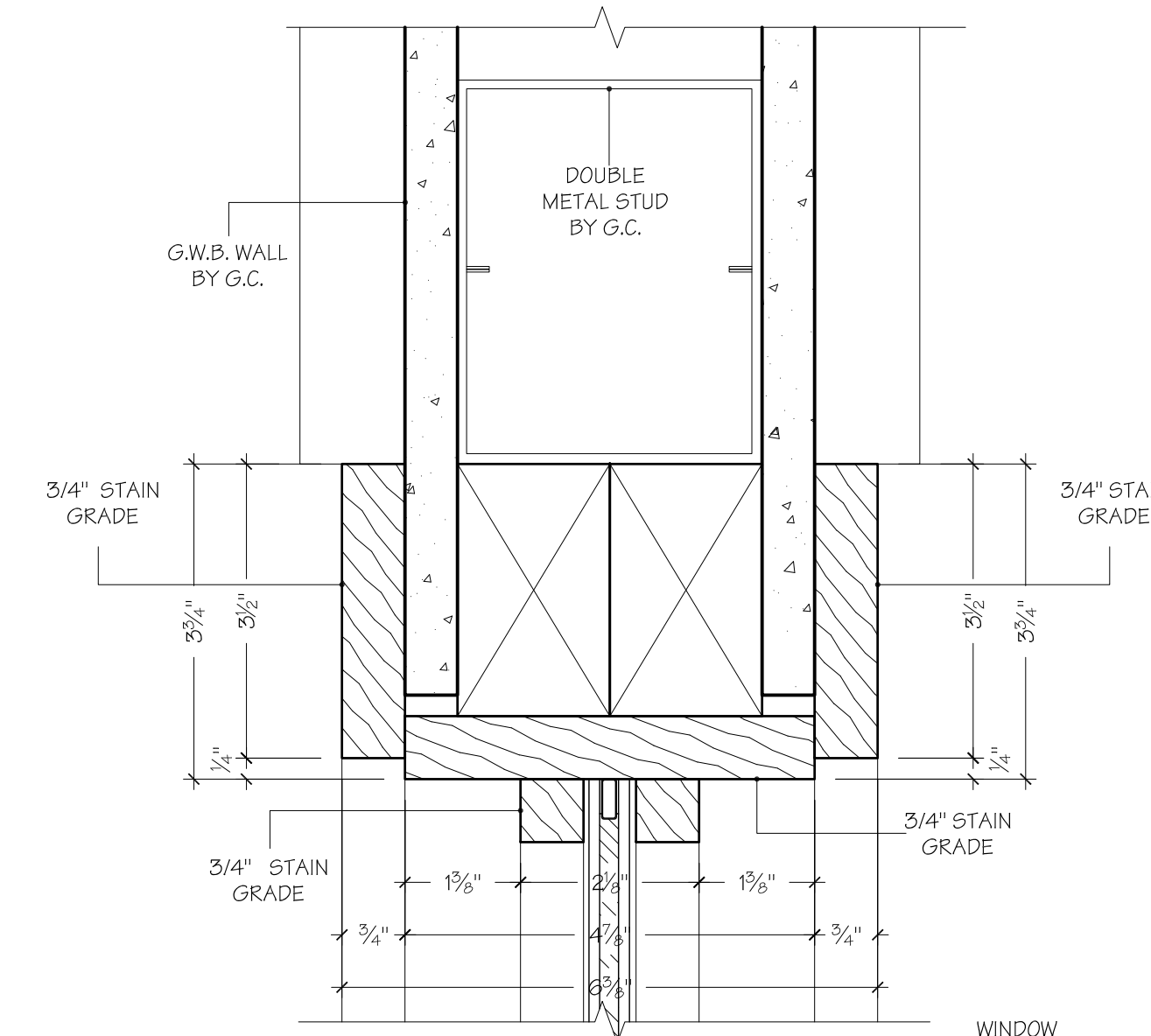
MONTPELIER CLAUDE MOORE HALL
MONTPELIER STATION, VIRGINIA
DOOR CASING AND JAMB

DRAWING NO.

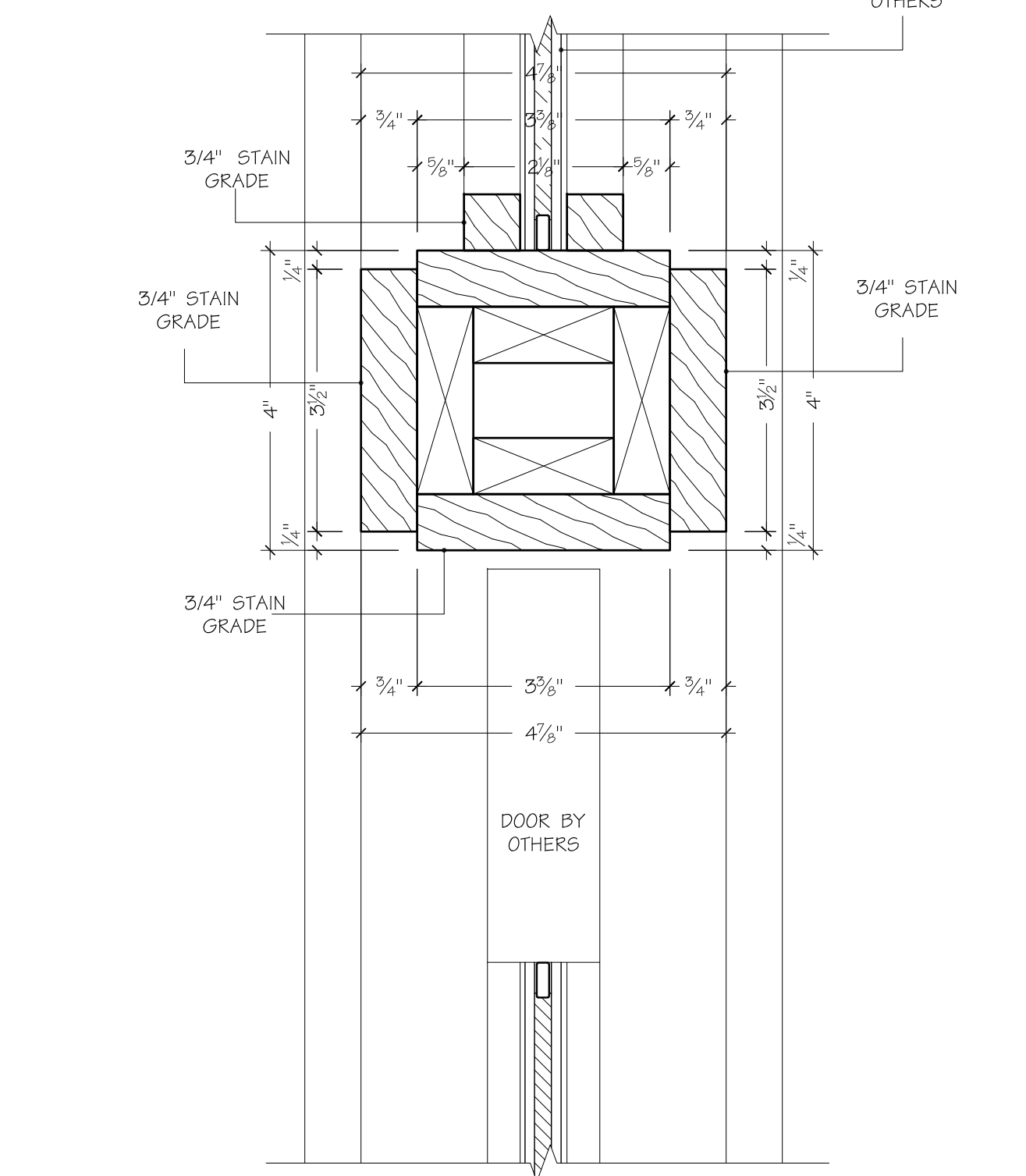
7.02



D6 SECTION DETAILS DOOR HEAD
SCALE: HALF 110B, 110C, 110D, 111B, 111C
ARCH: 10/A8.1



D7 SECTION DETAILS DOOR HEAD
SCALE: HALF 202, 203, 204
ARCH: 2/A8.1



D8 SECTION DETAILS STORE FRONT DOOR
SCALE: HALF 202, 203, 204
ARCH: 3/A8.1

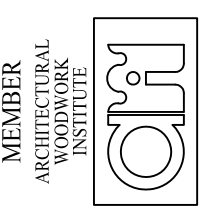
GENERAL NOTES

(CUSTOM & PREMIUM GRADE; NON-LEED CERTIFIED; NON-FSC CERTIFIED; F.R.; AWI CERTIFIED)

* DOOR TRIM: PS BEECH, FINISHED TO MATCH APPROVED SAMPLE

*HARDWARE:

CONSTRUCTION NOTES:



1500 CHAMBERLAYNE AVE.
Richmond, Virginia 23222
804 - 213 - 0300
804 - 213 - 0005 (FAX)
www.karncustomwoodwork.com

KARN CUSTOM WOODWORK

1	03/26/2016 SUBMITTAL
2	03/30/2016 FOR APPROVAL
3	DATE 3
4	DATE 4

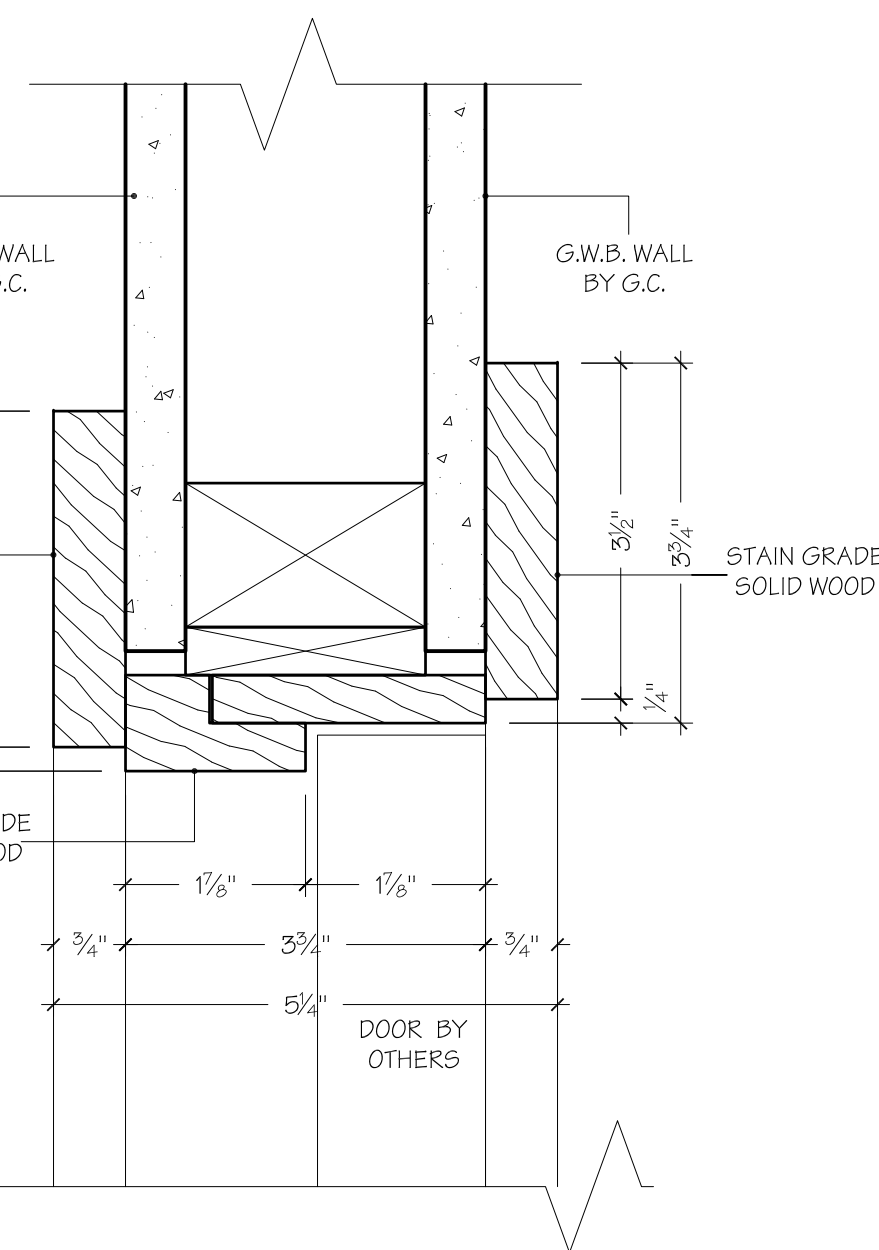
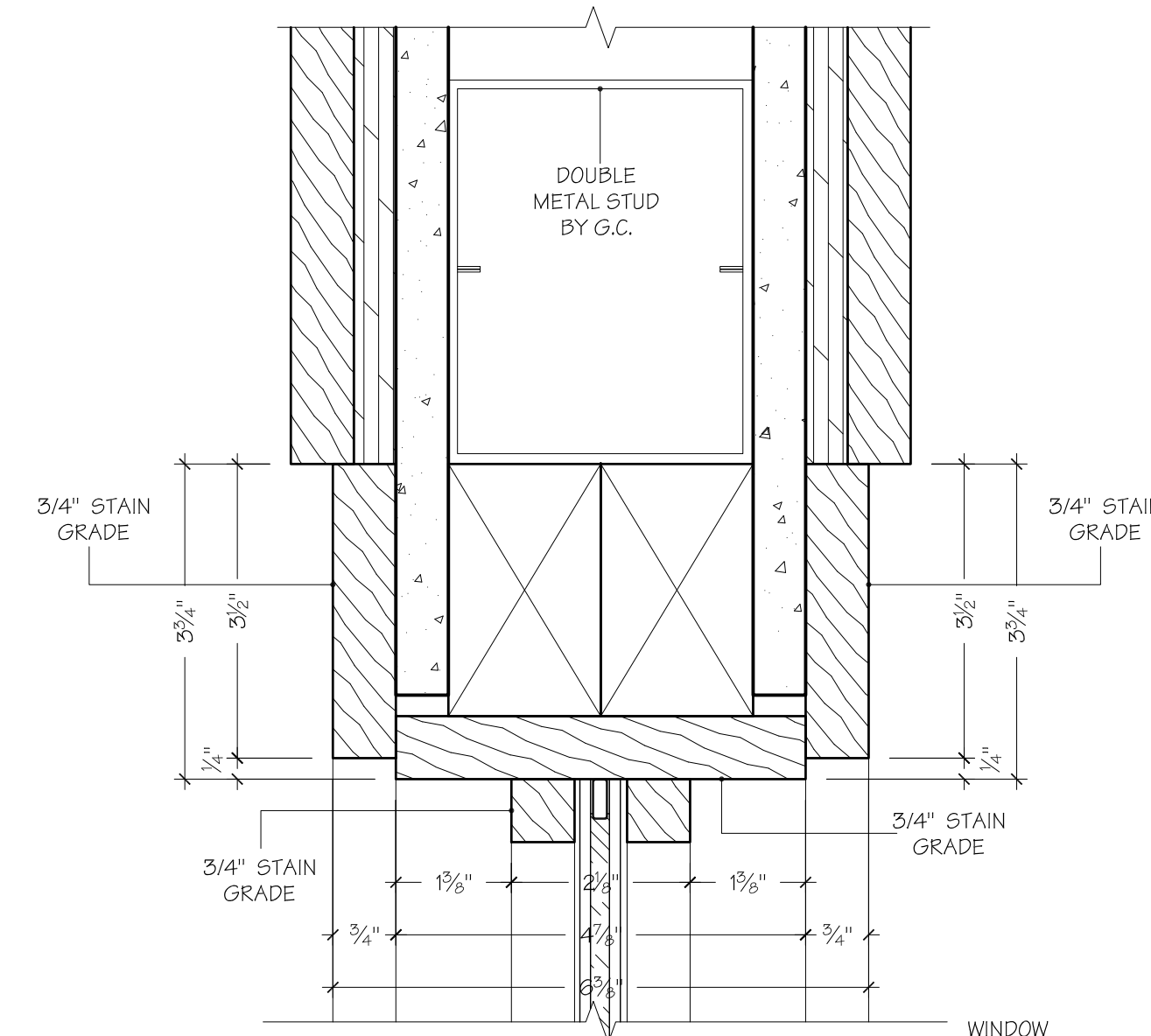
REVISIONS:

QCP NUMBER:	16.0266
CUT BILL NO.:	
DRAWN BY:	TK
CHECKED BY:	- G.G.

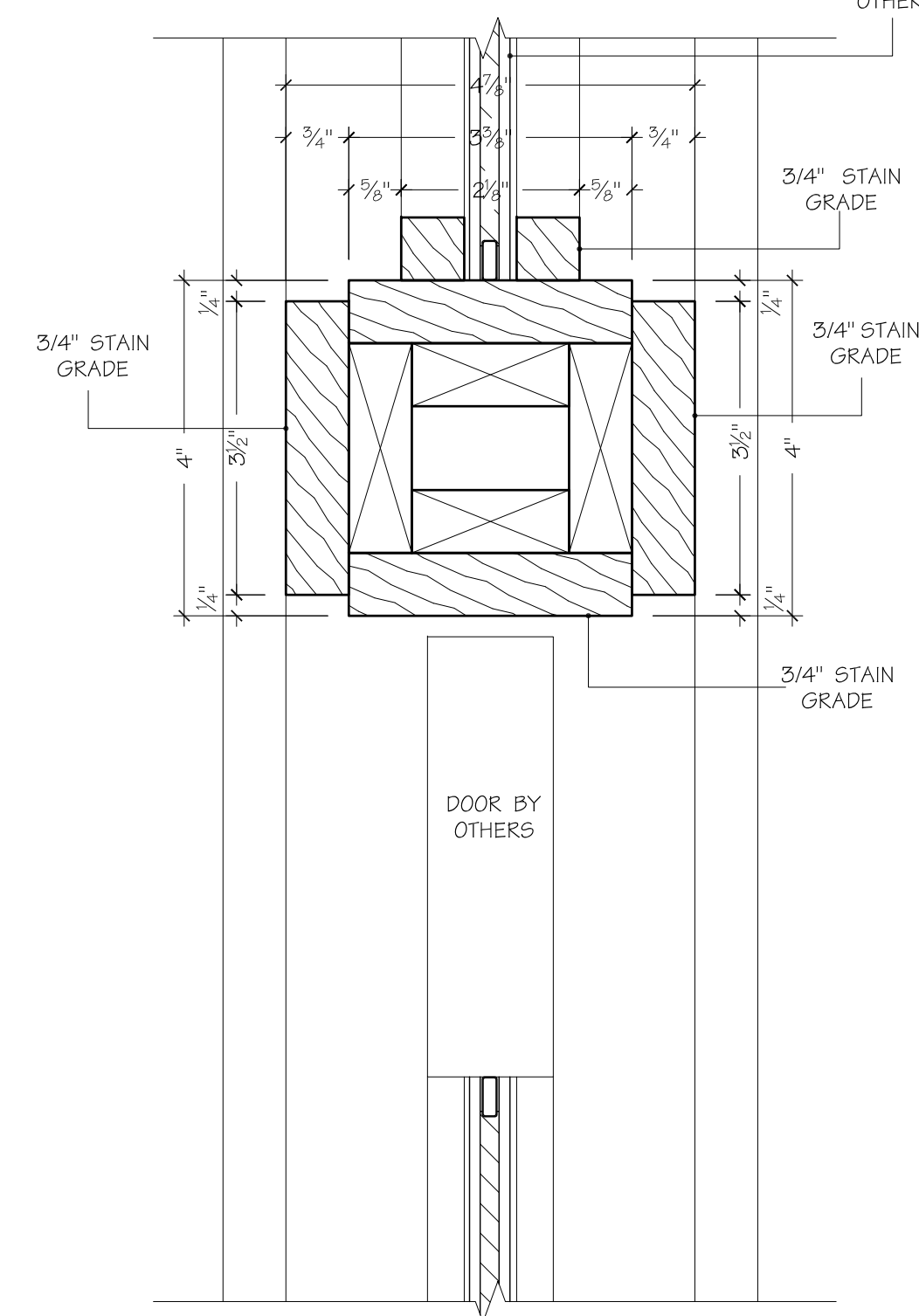
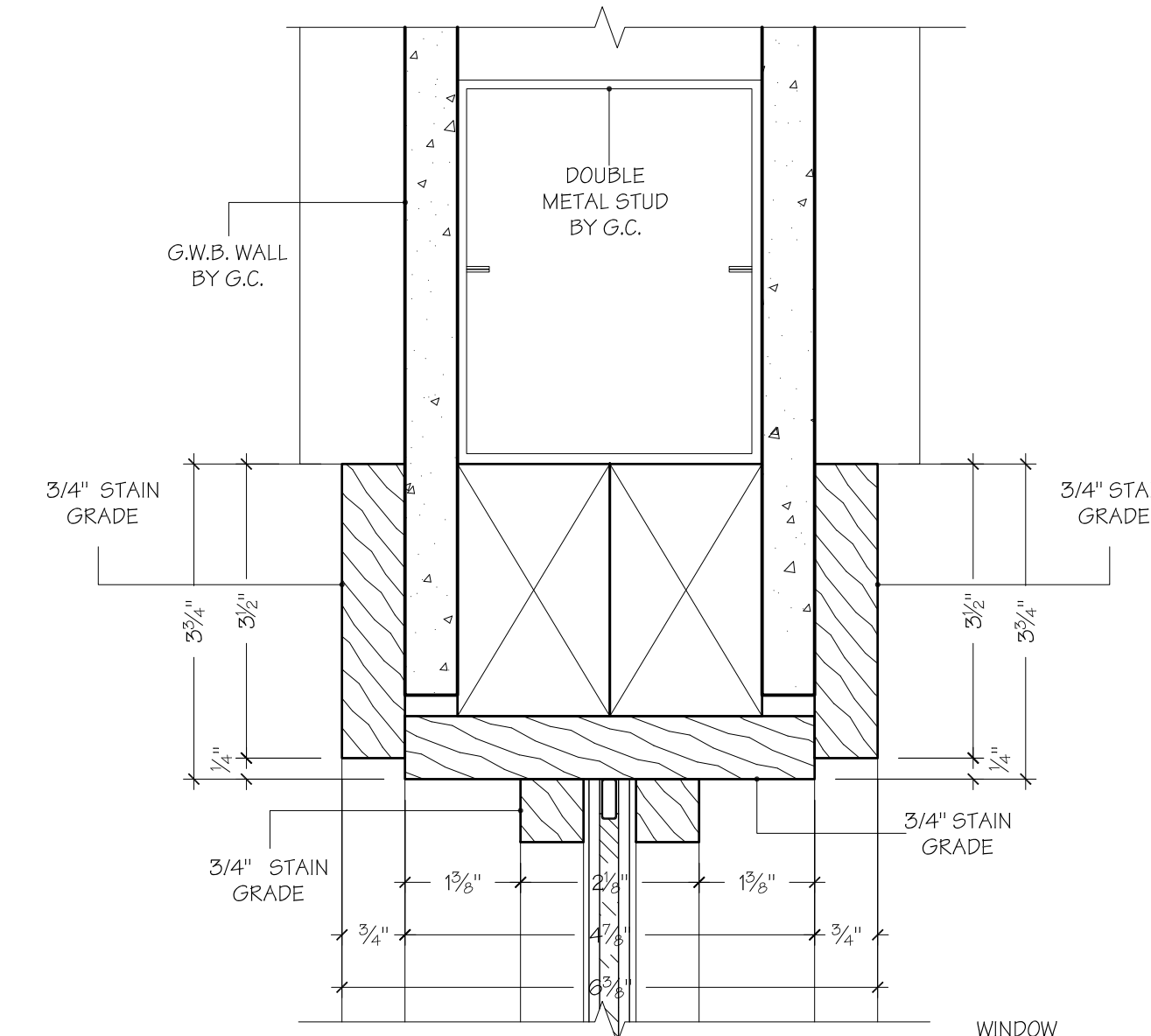
MONTPELLIER CLAUDE MOORE HALL
MONTPELLIER STATION, VIRGINIA
DOOR CASING AND JAMB

DRAWING NO.

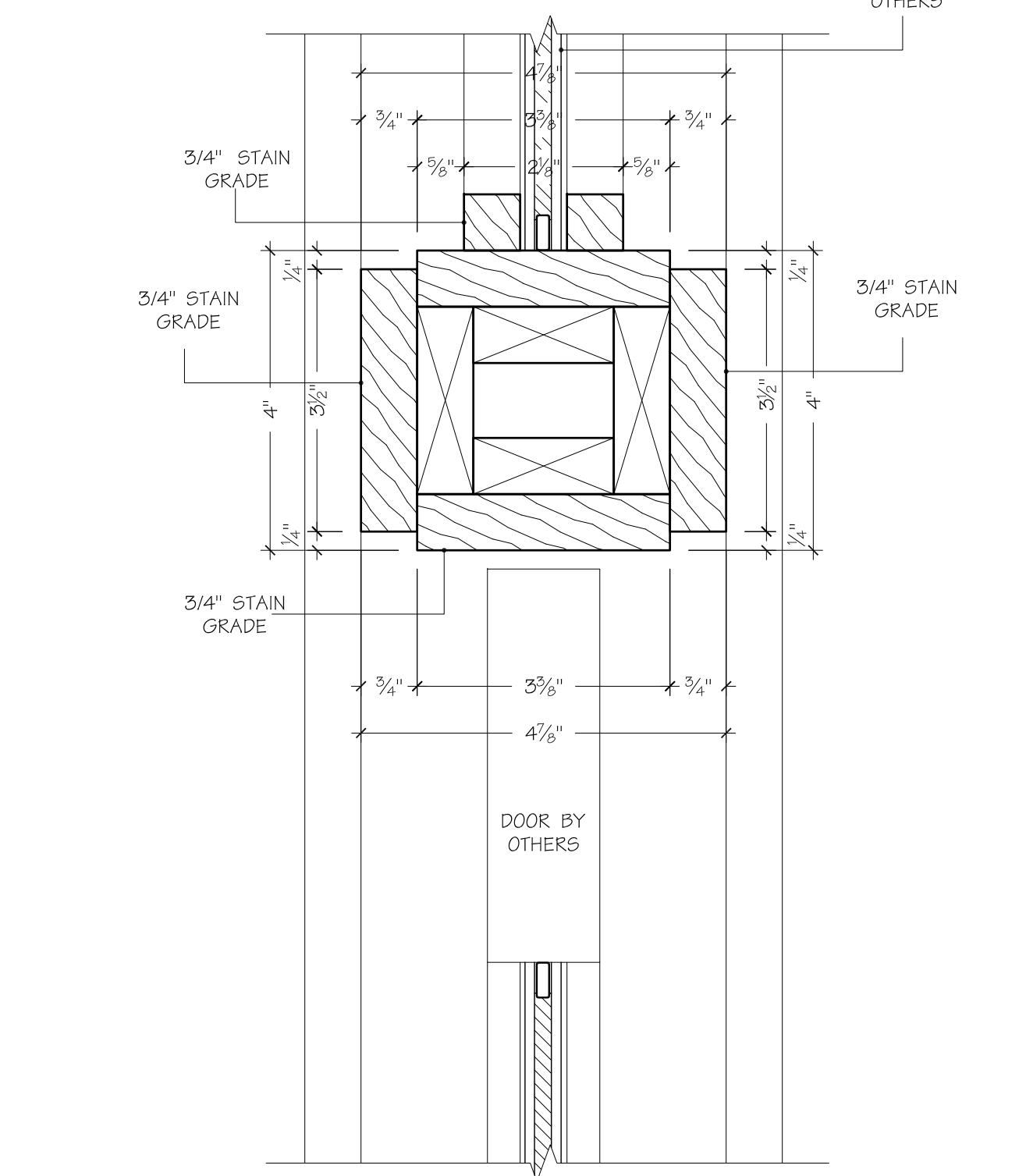
7.02



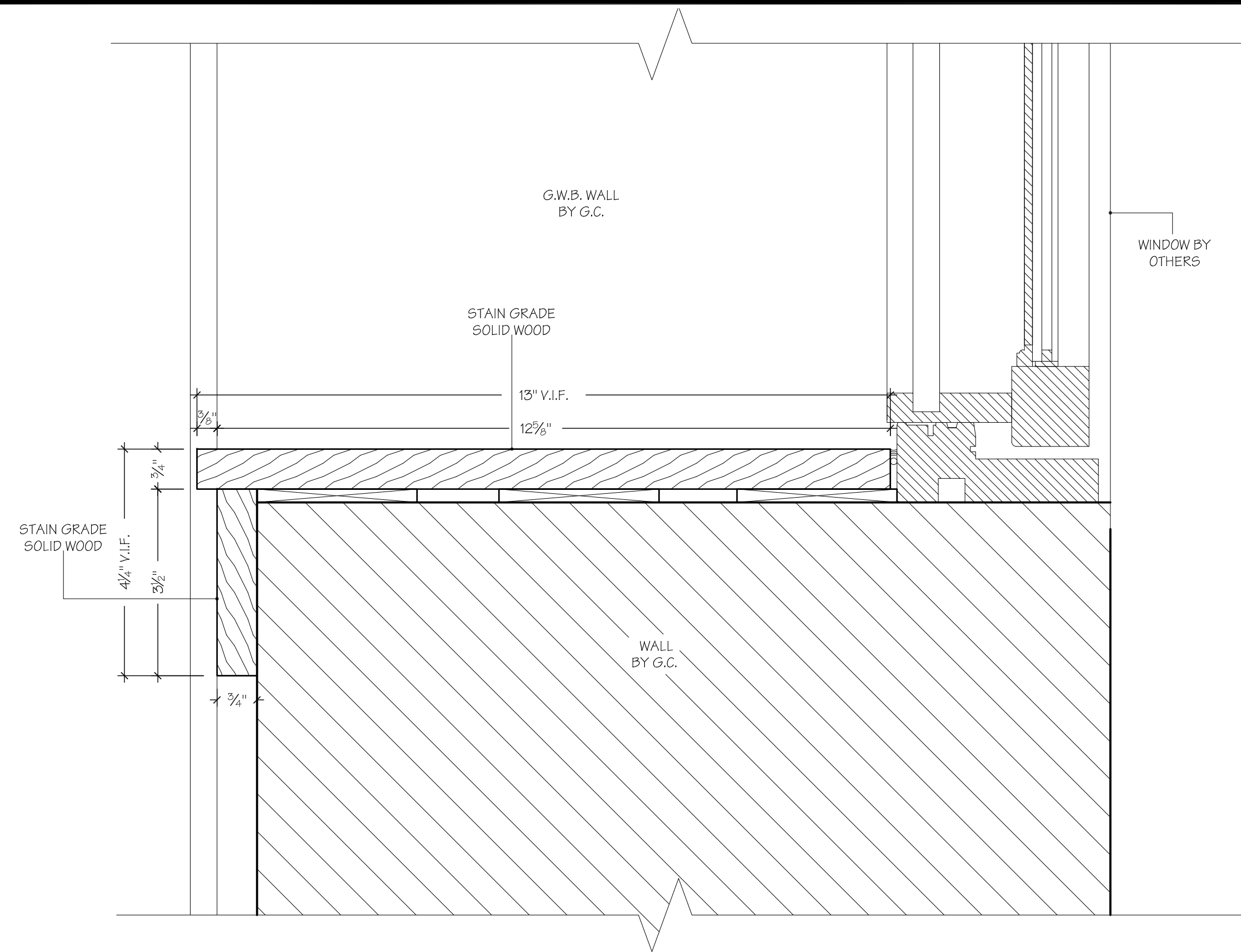
D6 SECTION DETAILS DOOR HEAD
SCALE: HALF 110B, 110C, 110D, 111B, 111C
ARCH: 10/A8.1



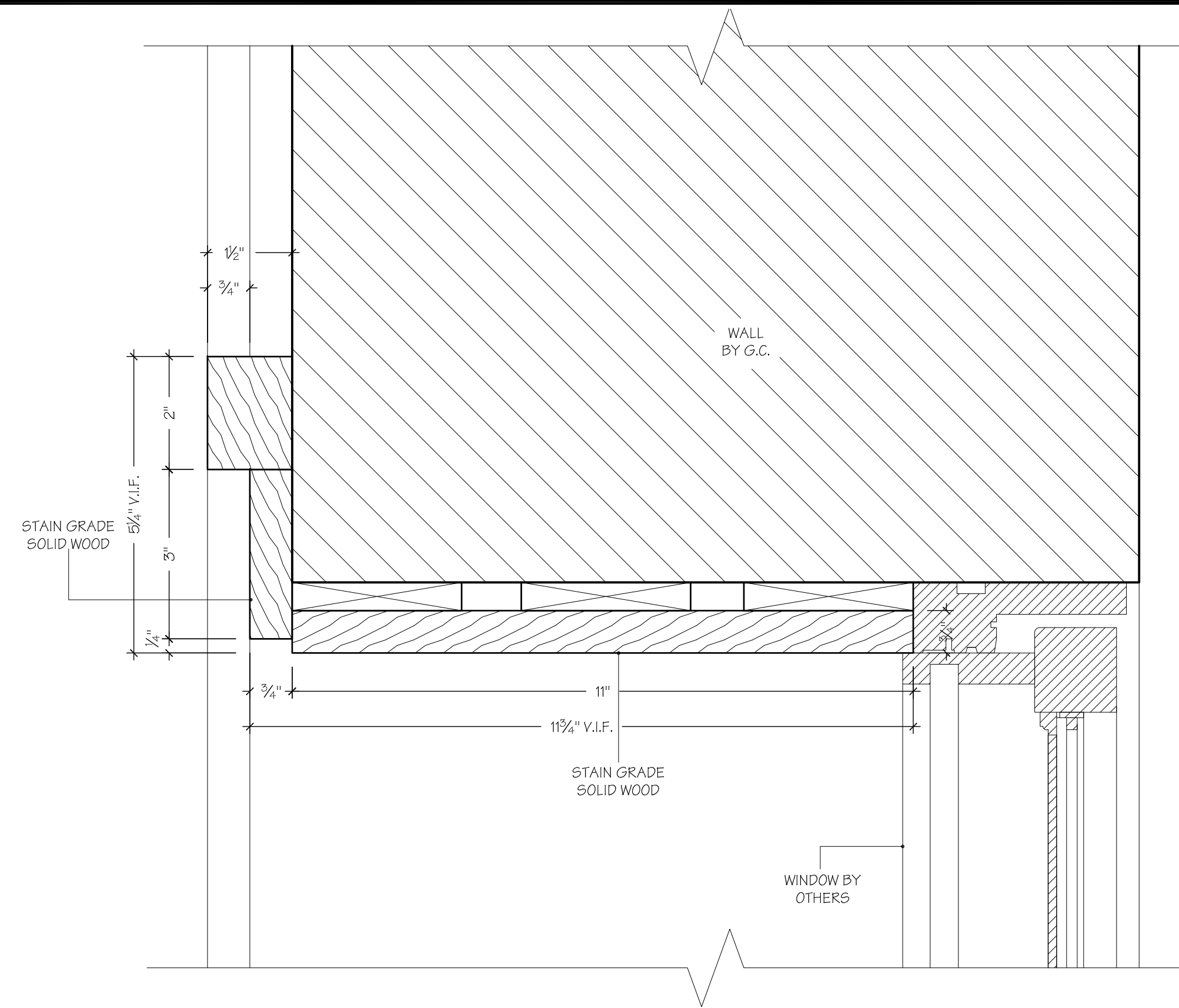
D7 SECTION DETAILS DOOR HEAD
SCALE: HALF 202, 203, 204
ARCH: 2/A8.1



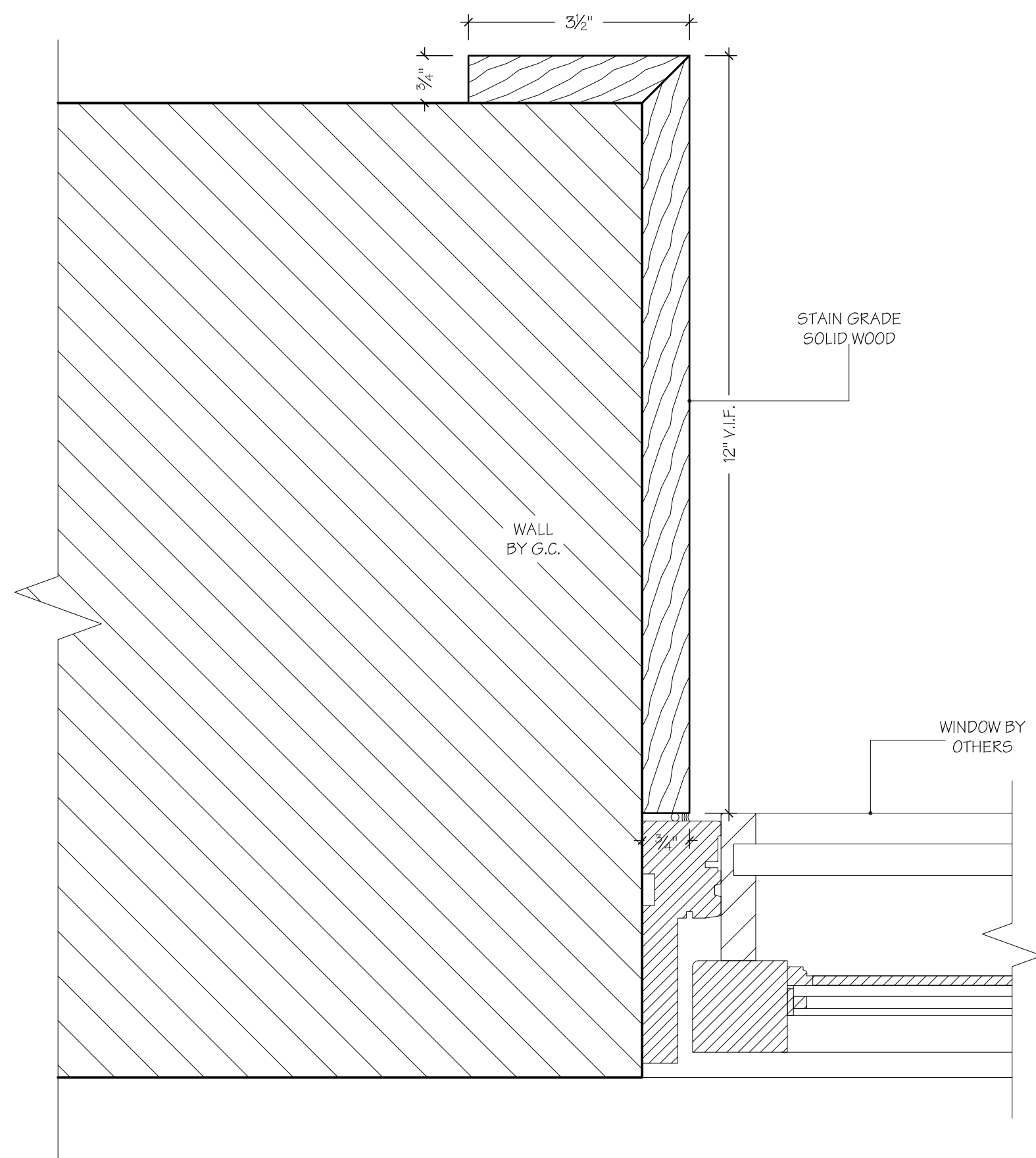
D8 SECTION DETAILS STORE FRONT DOOR
SCALE: HALF 202, 203, 204
ARCH: 3/A8.1



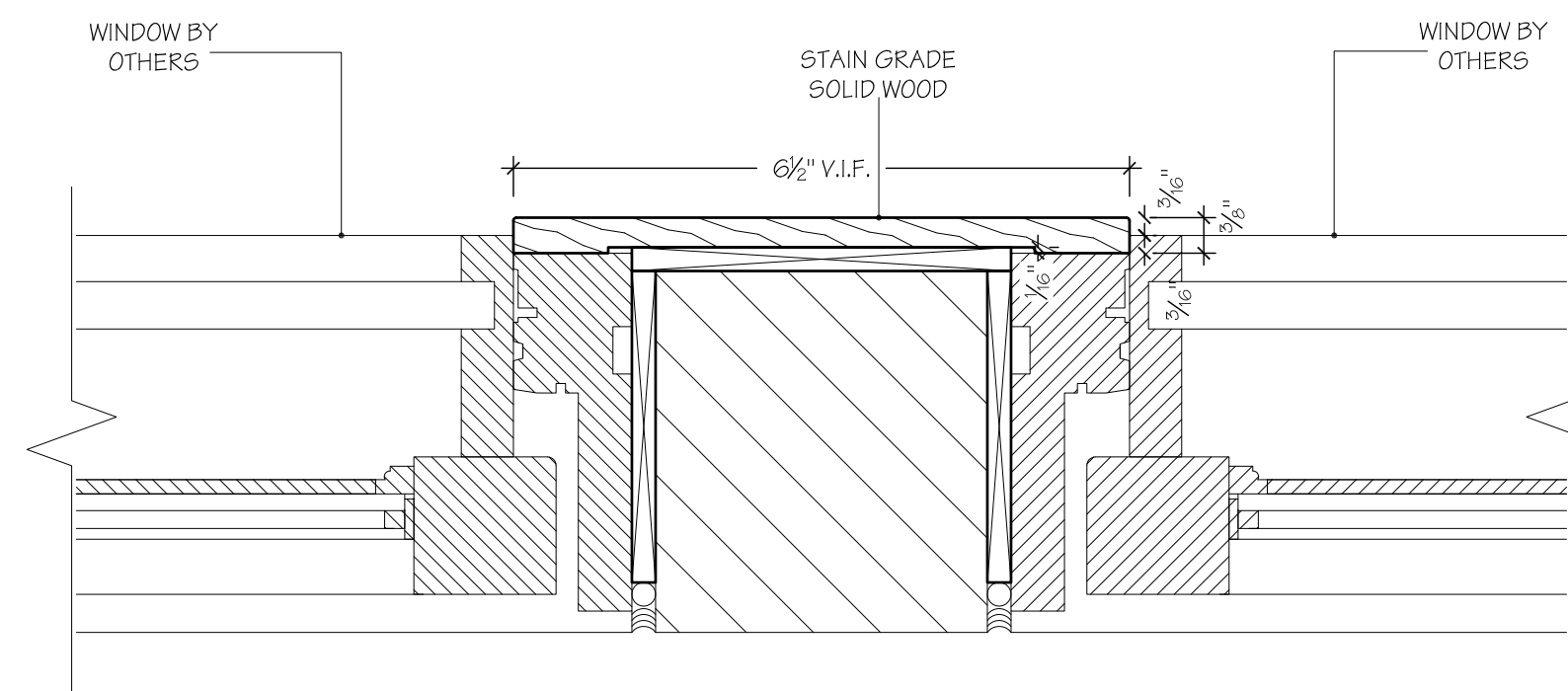
D1 SECTION DETAILS
SCALE: HALF
WINDOW SILL
ARCH: 1/A8.2



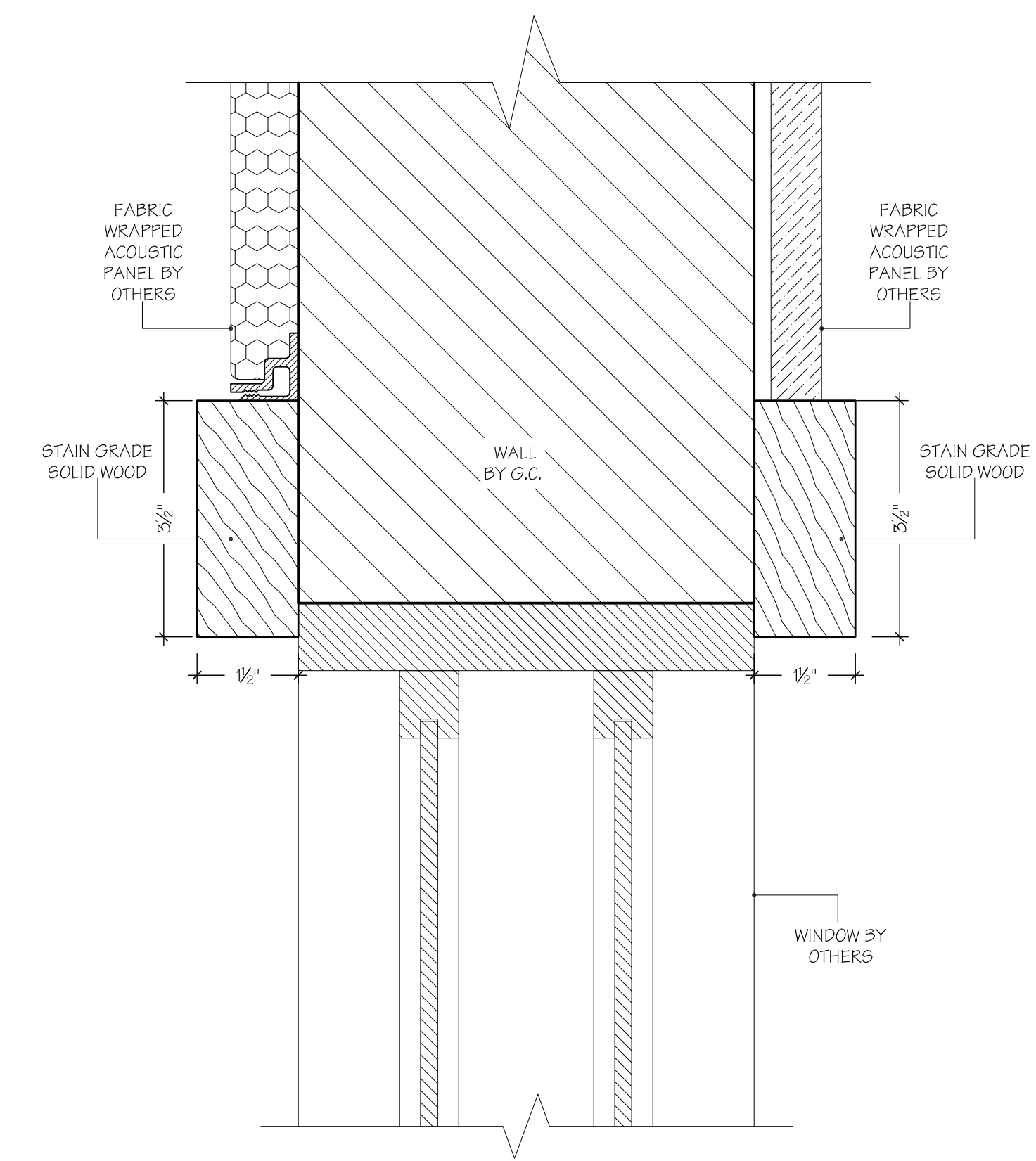
D2 SECTION DETAILS
SCALE: HALF
WINDOW HEAD
ARCH: 2/A8.2



D3 SECTION DETAILS
SCALE: HALF
WINDOW JAMB
ARCH: 3/A8.2



D4 SECTION DETAILS
SCALE: HALF
WINDOW MULL
ARCH: 4/A8.2



D5 SECTION DETAILS
SCALE: HALF
WINDOW HEAD/JAMB/SILL
ARCH: 8/A8.2
QTY(1) INTERIOR WINDOW

GENERAL NOTES

(CUSTOM & PREMIUM GRADE; NON-LEED CERTIFIED; NON-FSC CERTIFIED; F.R.; AWI CERTIFIED)

* TRIM: PS BIRCH

*HARDWARE:

CONSTRUCTION NOTES:



1500 CHAMBERLAYNE AVE.
Richmond, Virginia 23222
804 - 213 - 0300
804 - 213 - 0005 (FAX)
www.karncustomwoodwork.com

KARN CUSTOM WOODWORK

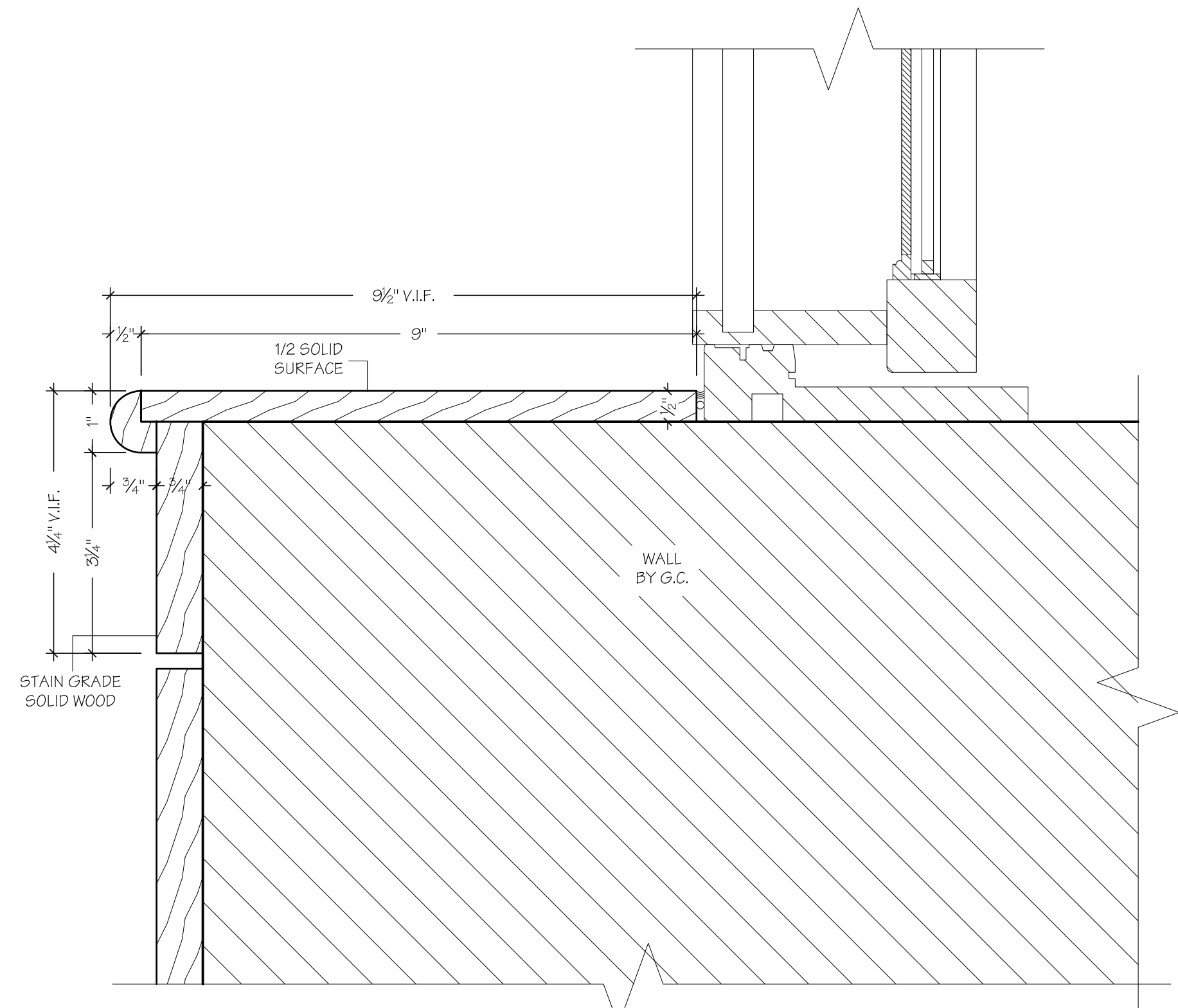
1	03/26/2016 SUBMITTAL
2	03/30/2016 FOR APPROVAL
3	DATE 3
4	DATE 4

REVISIONS:

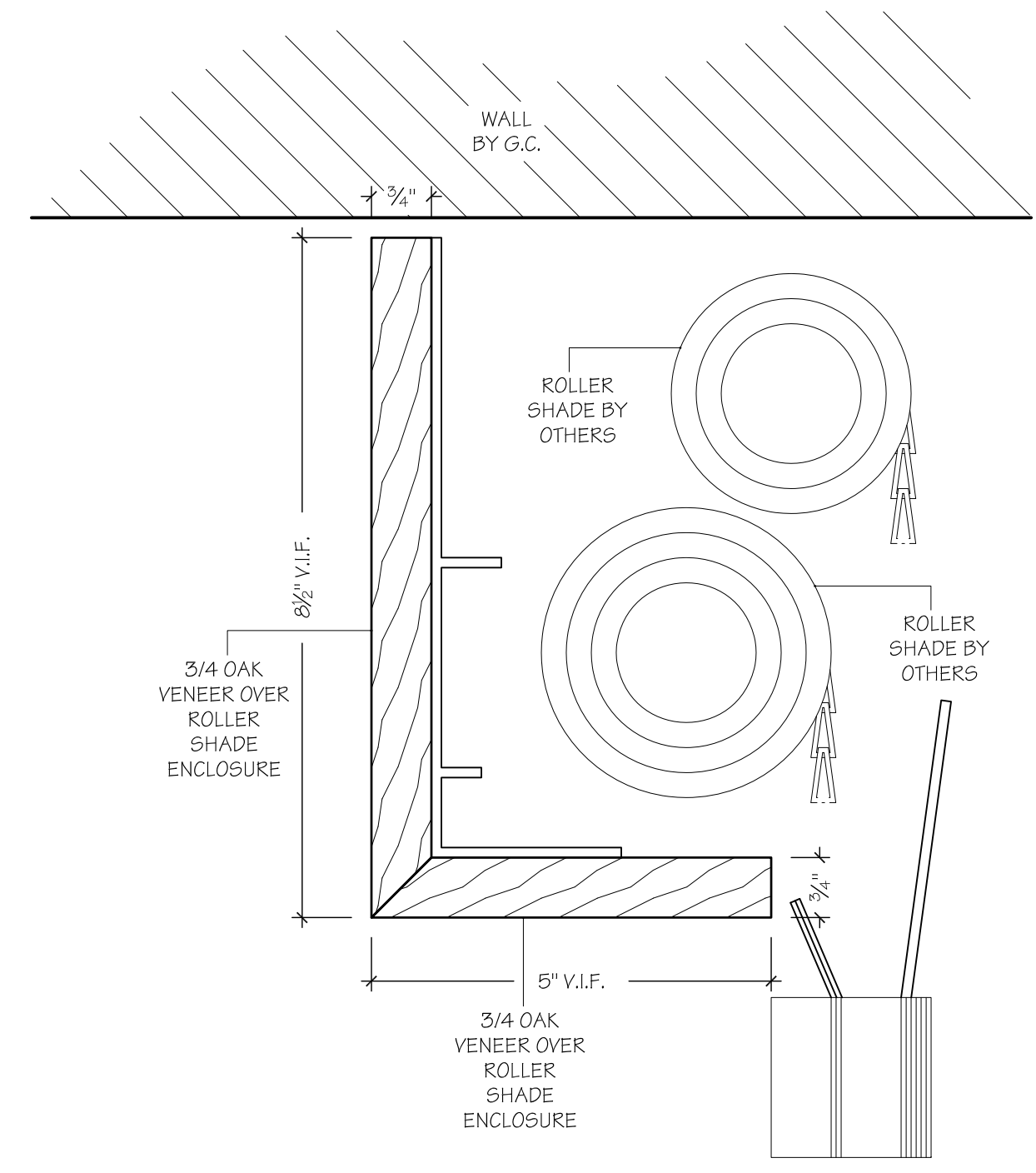
QCP NUMBER:	16.0266
CUT BILL NO.:	
DRAWN BY:	TK
CHECKED BY:	- G.C.

MONTPELIER CLAUDE MOORE HALL
MONTPELIER STATION, VIRGINIA
INTERIOR WINDOWS CASING

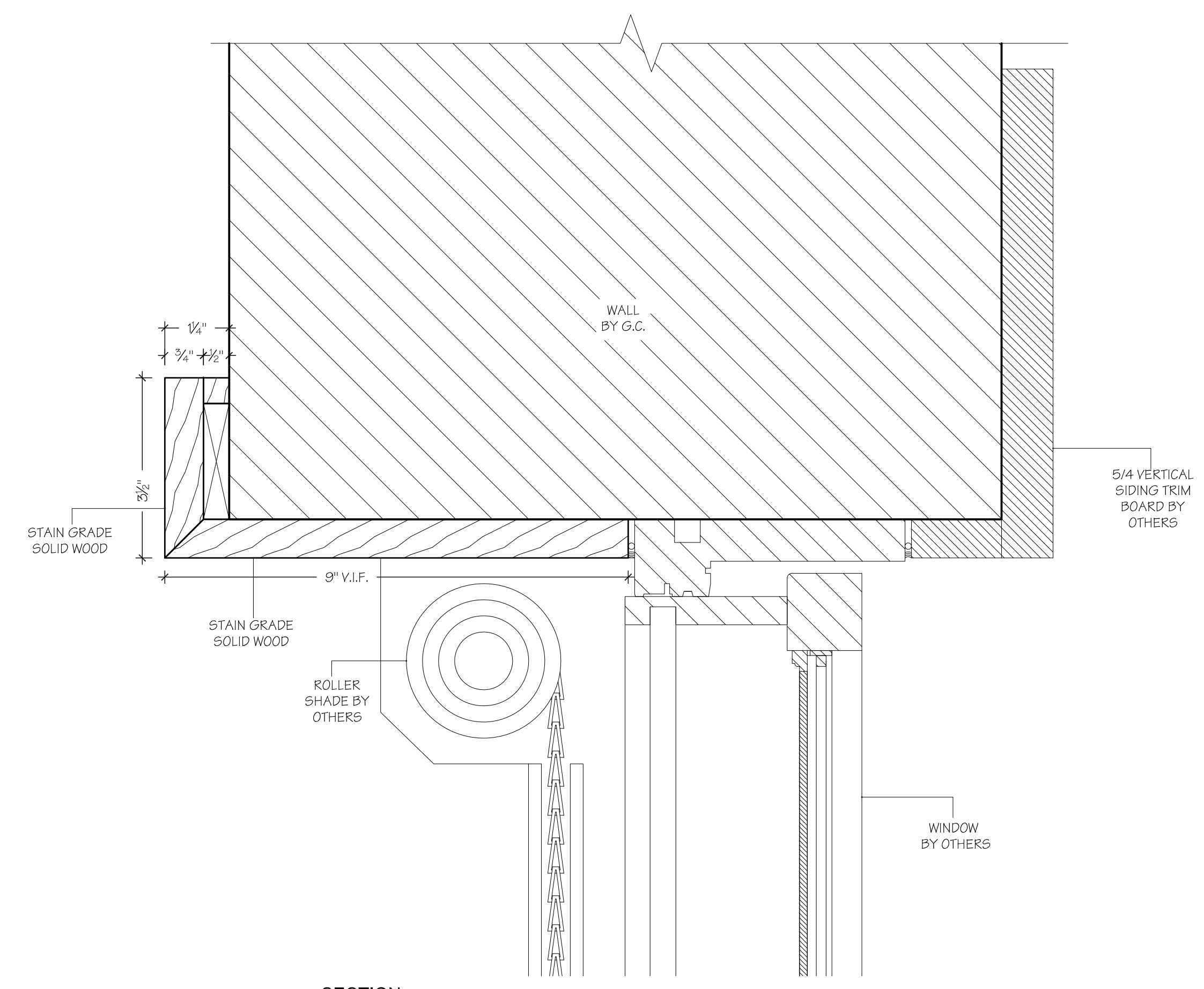
DRAWING NO.



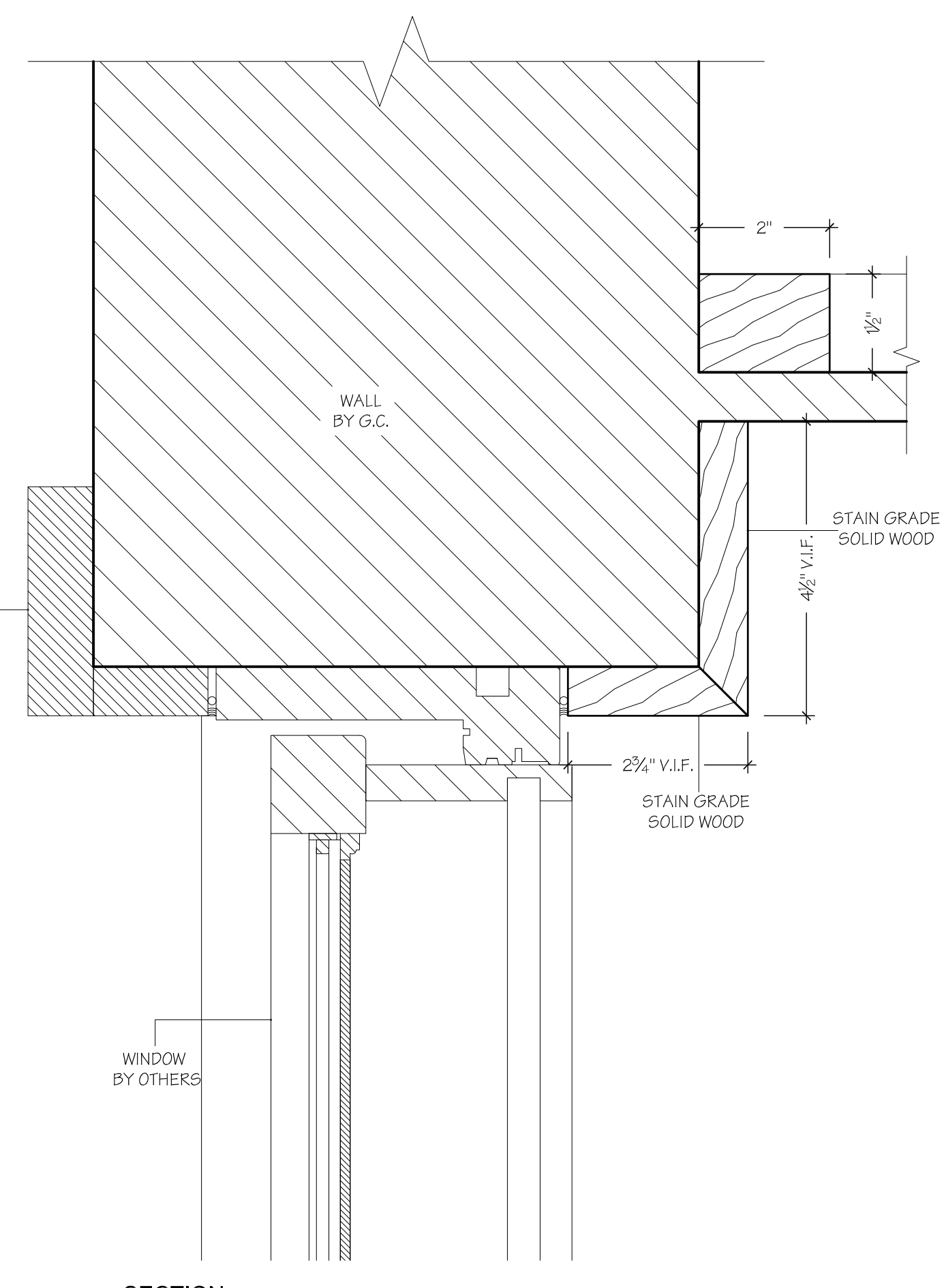
D1 SECTION DETAILS STOREFRONT SILL
SCALE: HALF STOREFRONT (AS1, AS2, AS3, AS 4, AS5)
ARCH: 1/A8.3



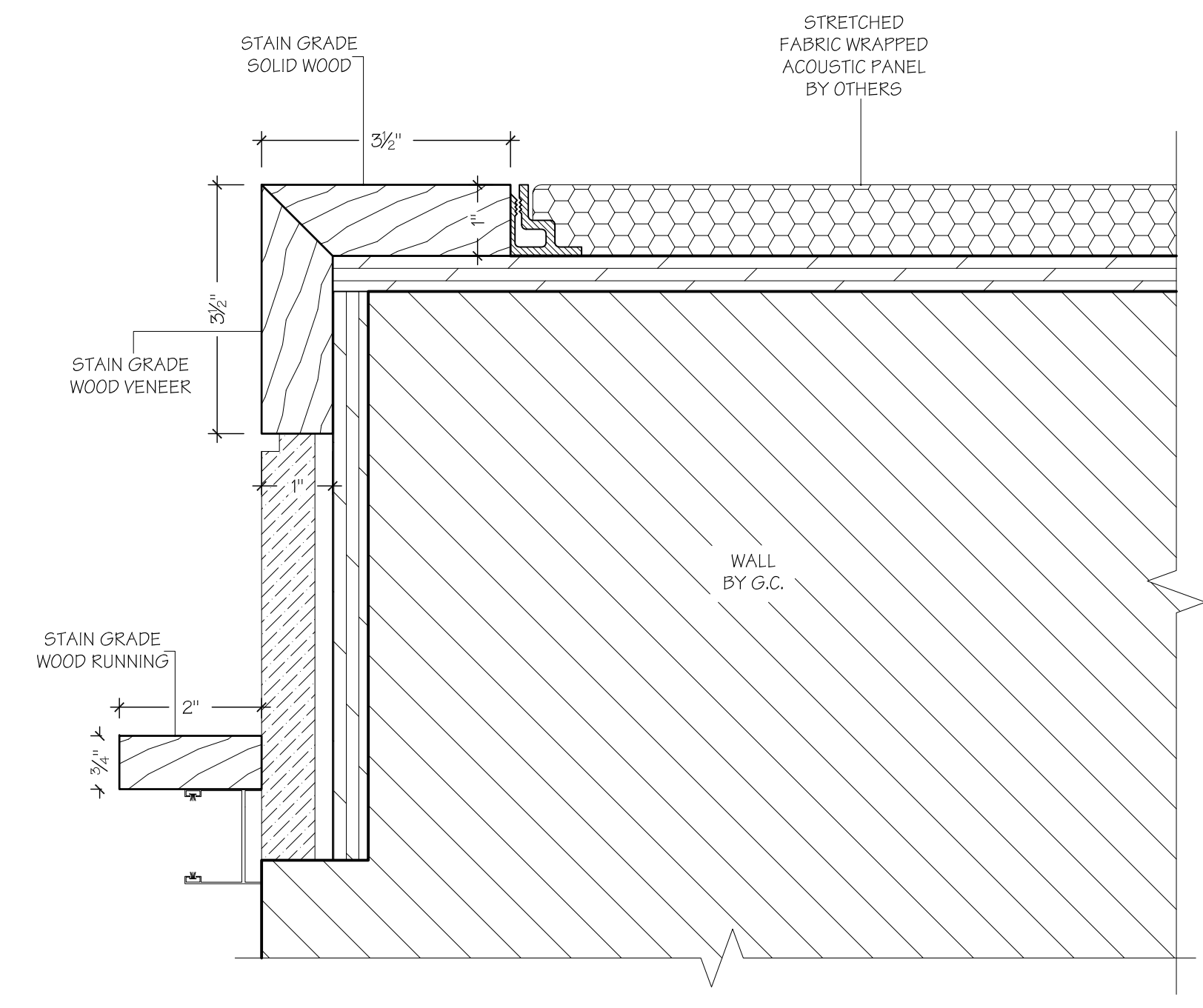
D2 SECTION DETAILS STOREFRONT HEAD
SCALE: HALF STOREFRONT (AS1, AS2, AS3, AS 4, AS5)
ARCH: 2/A8.3



D3 SECTION DETAILS STOREFRONT HEAD
SCALE: HALF STOREFRONT (AS1, AS2, AS3, AS 4, AS5)
ARCH: 4/A8.3



D4 SECTION DETAILS STOREFRONT HEAD
SCALE: HALF STOREFRONT (AS1, AS2, AS3, AS 4, AS5)
ARCH: 6/A8.3



D5 SECTION DETAILS STOREFRONT JAMB
SCALE: HALF STOREFRONT (AS1, AS2, AS3, AS 4, AS5)
ARCH: 8/A8.3

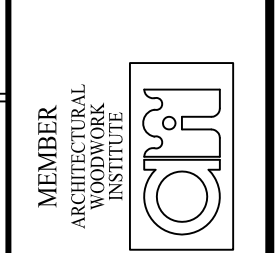
GENERAL NOTES

(CUSTOM & PREMIUM GRADE; NON-LEED CERTIFIED; NON-FSC CERTIFIED; F.R.; AWI CERTIFIED)

- * STOREFRONT SILL: PS BEECH, FINISHED TO MATCH APPROVED SAMPLE
- * STOREFRONT HEAD: PS BEECH, FINISHED TO MATCH APPROVED SAMPLE
- * STOREFRONT JAMB: PS BEECH, FINISHED TO MATCH APPROVED SAMPLE
- * DOOR HEAD: PS BEECH, FINISHED TO MATCH APPROVED SAMPLE
- * DOOR JAMB: PS BEECH, FINISHED TO MATCH APPROVED SAMPLE

*HARDWARE:

CONSTRUCTION NOTES:



1500 CHAMBERLAYNE AVE.
Richmond, Virginia 23222
804 - 213 - 0300
804 - 213 - 0005 (FAX)
www.karncustomwoodwork.com

KARN CUSTOM WOODWORK

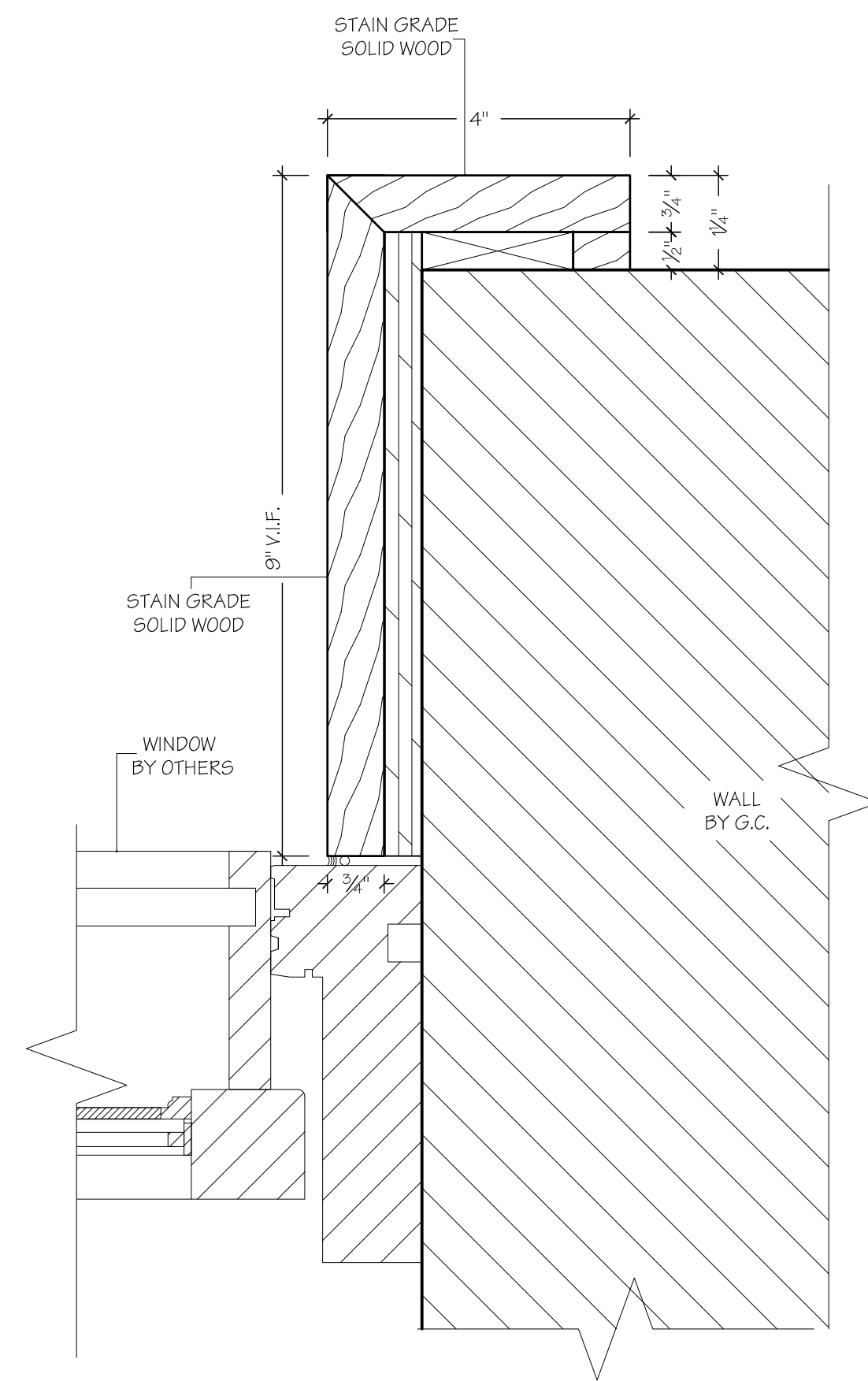
1	03/26/2016 SUBMITTAL
2	03/30/2016 FOR APPROVAL
3	DATE 3
4	DATE 4

REVISIONS:

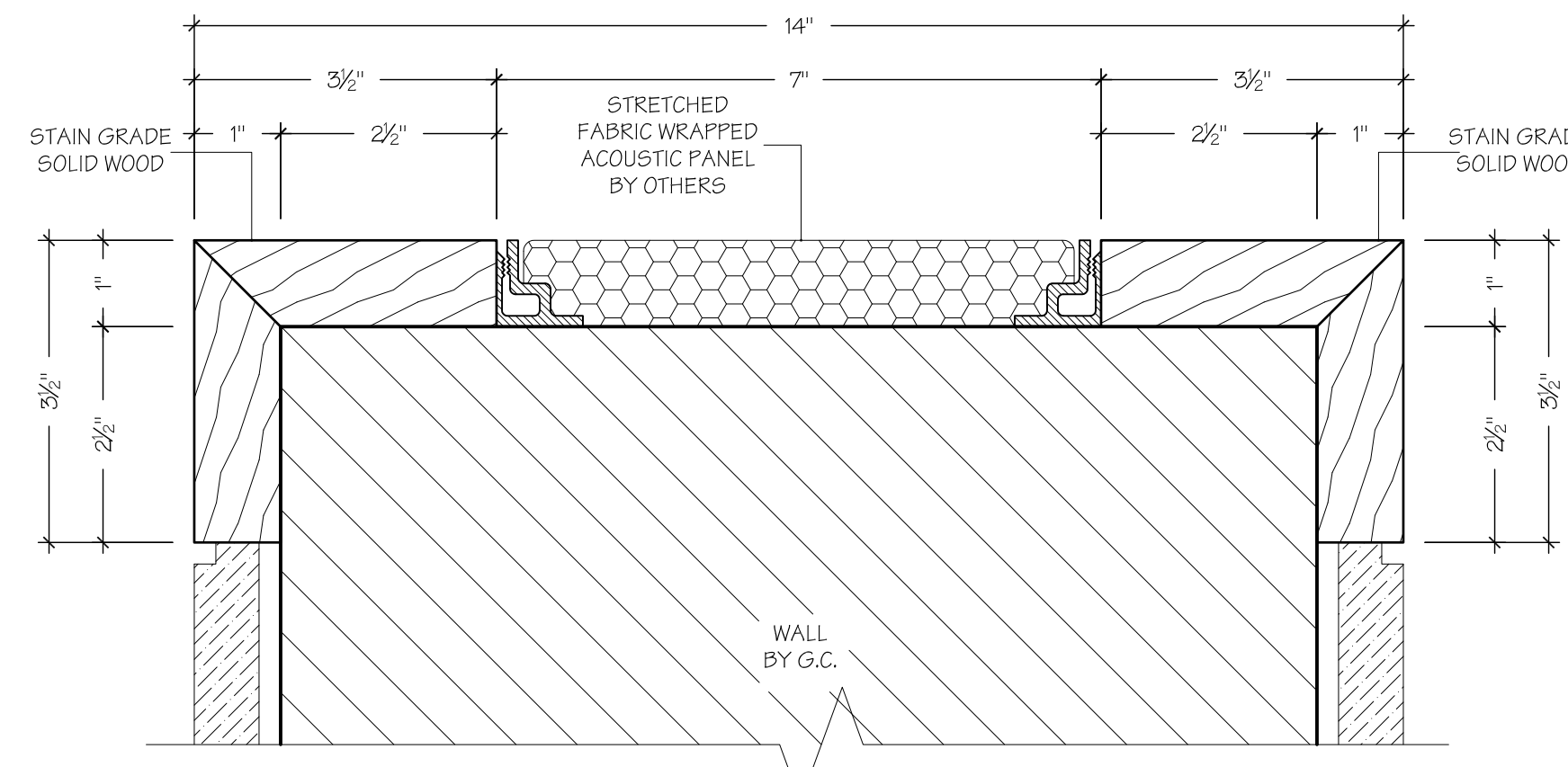
QCP NUMBER: 16.0266
CUT BILL NO.:
DRAWN BY: TK
CHECKED BY: - G.C.

MONTPELIER CLAUDE MOORE HALL
MONTPELIER STATION, VIRGINIA
STOREFRONT (AS1, AS2, AS3, AS 4, AS5)

DRAWING NO.



D6 SECTION DETAILS STOREFRONT JAMB
SCALE: HALF STOREFRONT (AS1, AS2, AS3, AS 4, AS5)
ARCH: 7/A8.3



D7 SECTION DETAILS STOREFRONT PLAN
SCALE: HALF STOREFRONT (AS1, AS2, AS3, AS 4, AS5)
ARCH: 10/A8.3

GENERAL NOTES

(CUSTOM & PREMIUM GRADE; NON-LEED CERTIFIED; NON-FSC CERTIFIED; F.R.; AWI CERTIFIED)

- * STOREFRONT SILL: PS BEECH, FINISHED TO MATCH APPROVED SAMPLE
- * STOREFRONT HEAD: PS BEECH, FINISHED TO MATCH APPROVED SAMPLE
- * STOREFRONT JAMB: PS BEECH, FINISHED TO MATCH APPROVED SAMPLE
- * DOOR HEAD: PS BEECH, FINISHED TO MATCH APPROVED SAMPLE
- * DOOR JAMB: PS BEECH, FINISHED TO MATCH APPROVED SAMPLE

*HARDWARE:

CONSTRUCTION NOTES:



1500 CHAMBERLAYNE AVE.
Richmond, Virginia 23222
804 - 213 - 0300
804 - 213 - 0005 (FAX)
www.karncustomwoodwork.com

KARN CUSTOM WOODWORK

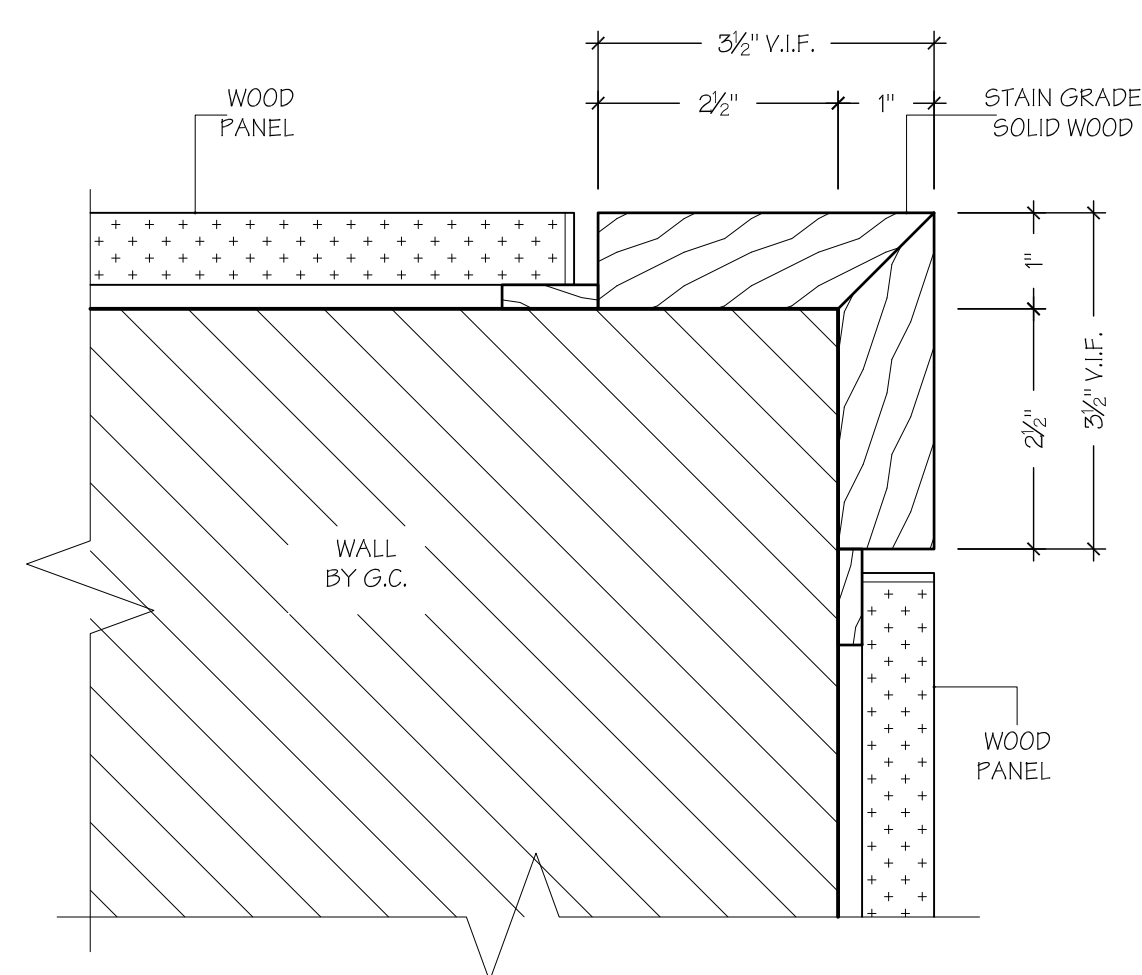
1	03/26/2016 SUBMITTAL
2	03/30/2016 FOR APPROVAL
3	DATE 3
4	DATE 4

REVISIONS:

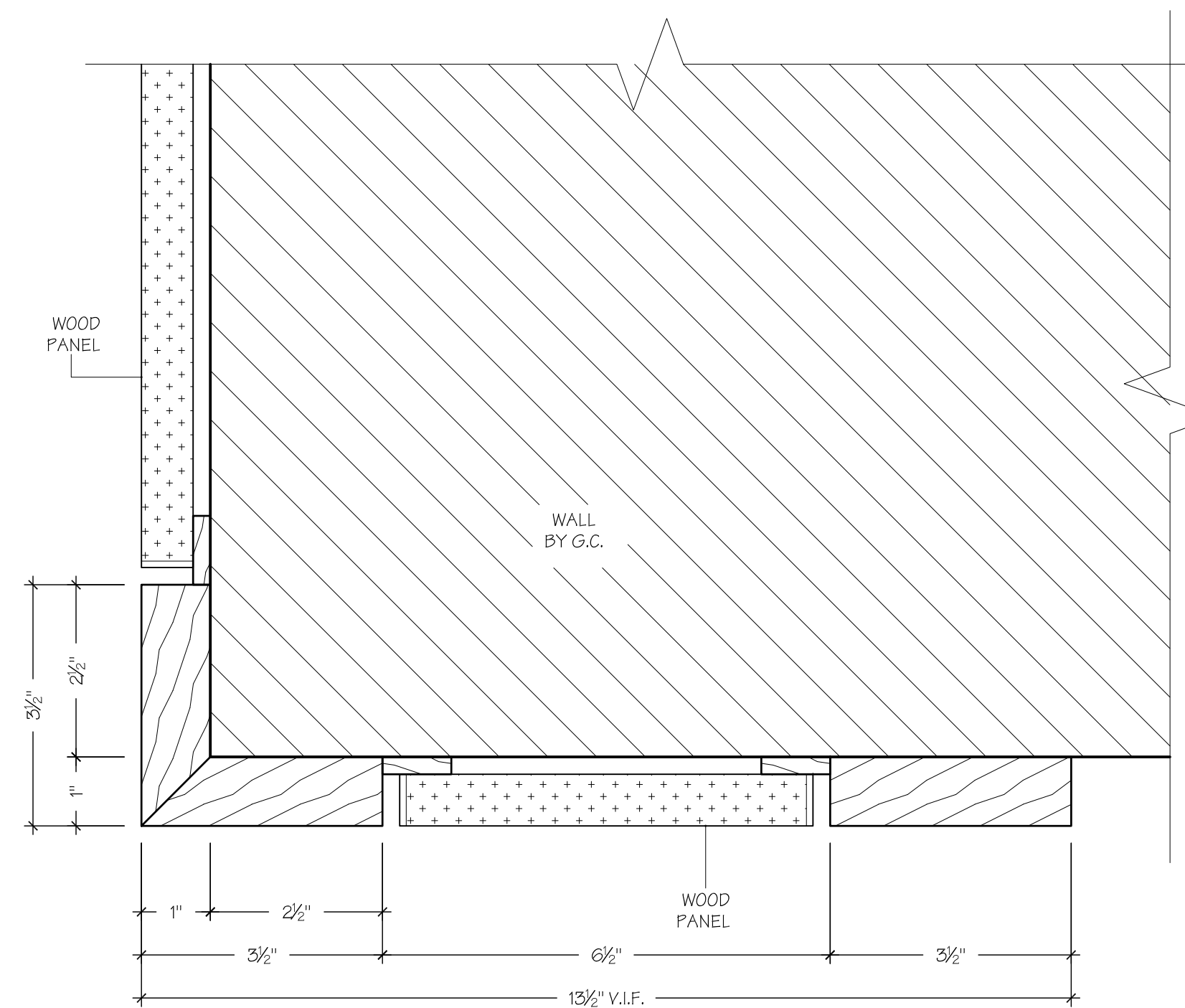
QCP NUMBER: 16.0266
CUT BILL NO.:
DRAWN BY: TK
CHECKED BY: - G.G.

MONTPELIER CLAUDE MOORE HALL
MONTPELIER STATION, VIRGINIA
STOREFRONT (AS1, AS2, AS3, AS 4, AS5)

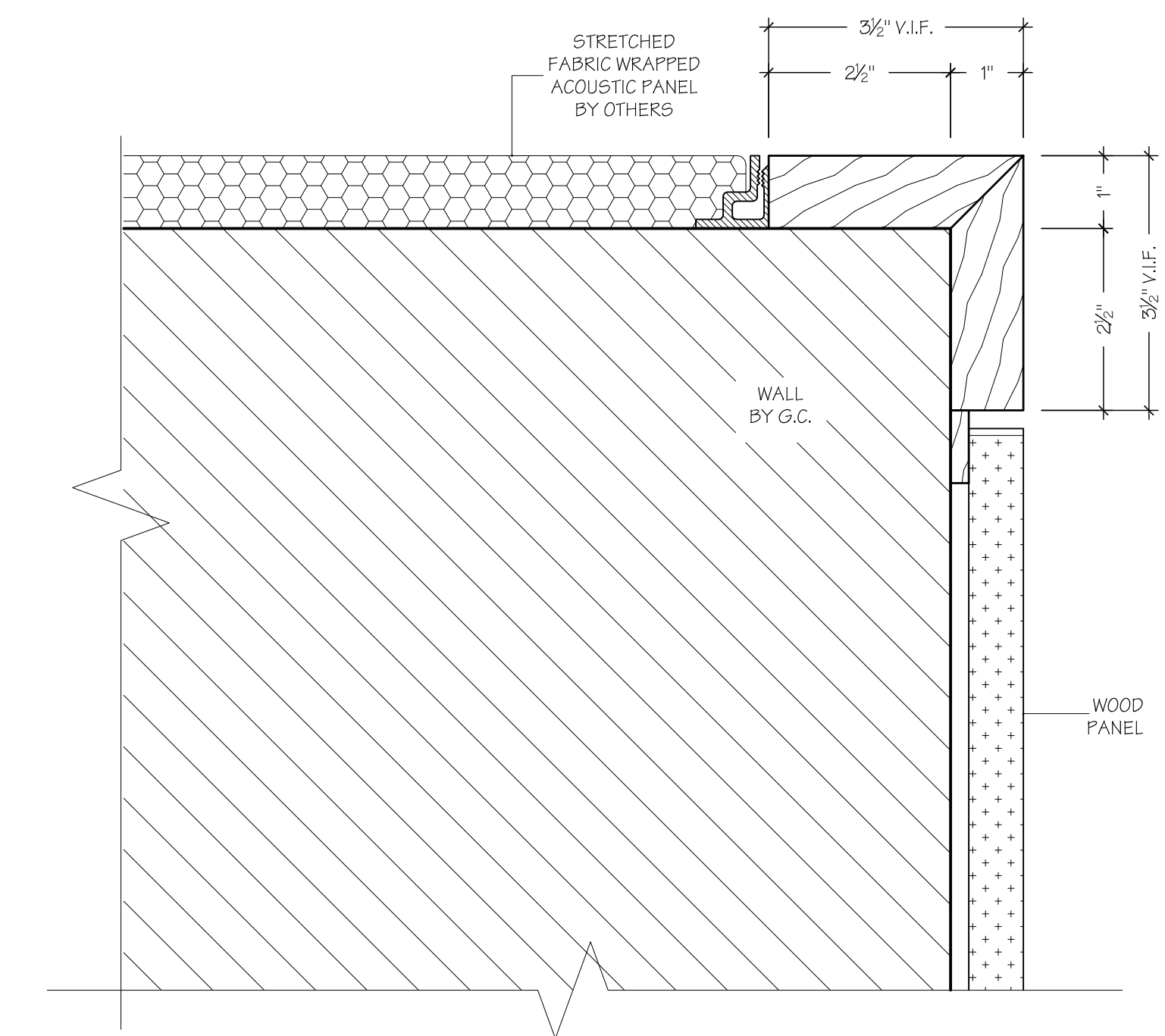
DRAWING NO.



D8 SECTION DETAILS DOOR JAMB
SCALE: HALF STOREFRONT (AS1, AS2, AS3, AS 4, AS5)
ARCH: 4/A8.4



D9 SECTION DETAILS DOOR HEAD
SCALE: HALF STOREFRONT (AS1, AS2, AS3, AS 4, AS5)
ARCH: 2/A8.4



D10 SECTION DETAILS DOOR JAMB
SCALE: HALF STOREFRONT (AS1, AS2, AS3, AS 4, AS5)
ARCH: 3/A8.4

GENERAL NOTES

(CUSTOM & PREMIUM GRADE; NON-LEED CERTIFIED; NON-FSC CERTIFIED; F.R.; AWI CERTIFIED)

* FIRST FLOOR BASE: PS BEECH, FINISHED TO MATCH APPROVED SAMPLE
 SECOND FLOOR BASE: RECLAIMED PINE, FINISHED TO MATCH APPROVED SAMPLE

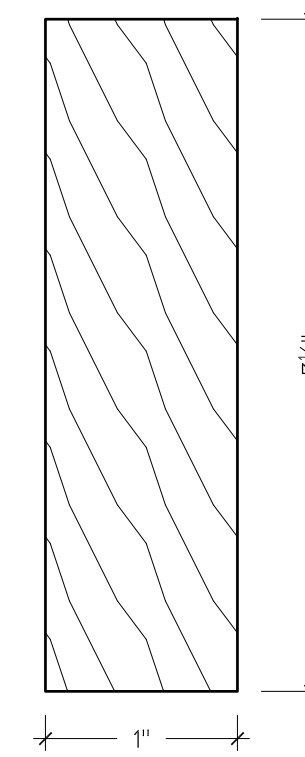
*HARDWARE:

CONSTRUCTION NOTES:



1500 CHAMBERLAYNE AVE.
 Richmond, Virginia 23222
 804 - 213 - 0300
 804 - 213 - 0005 (FAX)
 www.karncustomwoodwork.com

KARN CUSTOM WOODWORK



D1 SECTION DETAILS BASE
 SCALE: FULL #200, 201, 202, 203, 204 QTY(400LFT)

1	03/26/2016 SUBMITTAL
2	03/30/2016 FOR APPROVAL
3	DATE 3
4	DATE 4

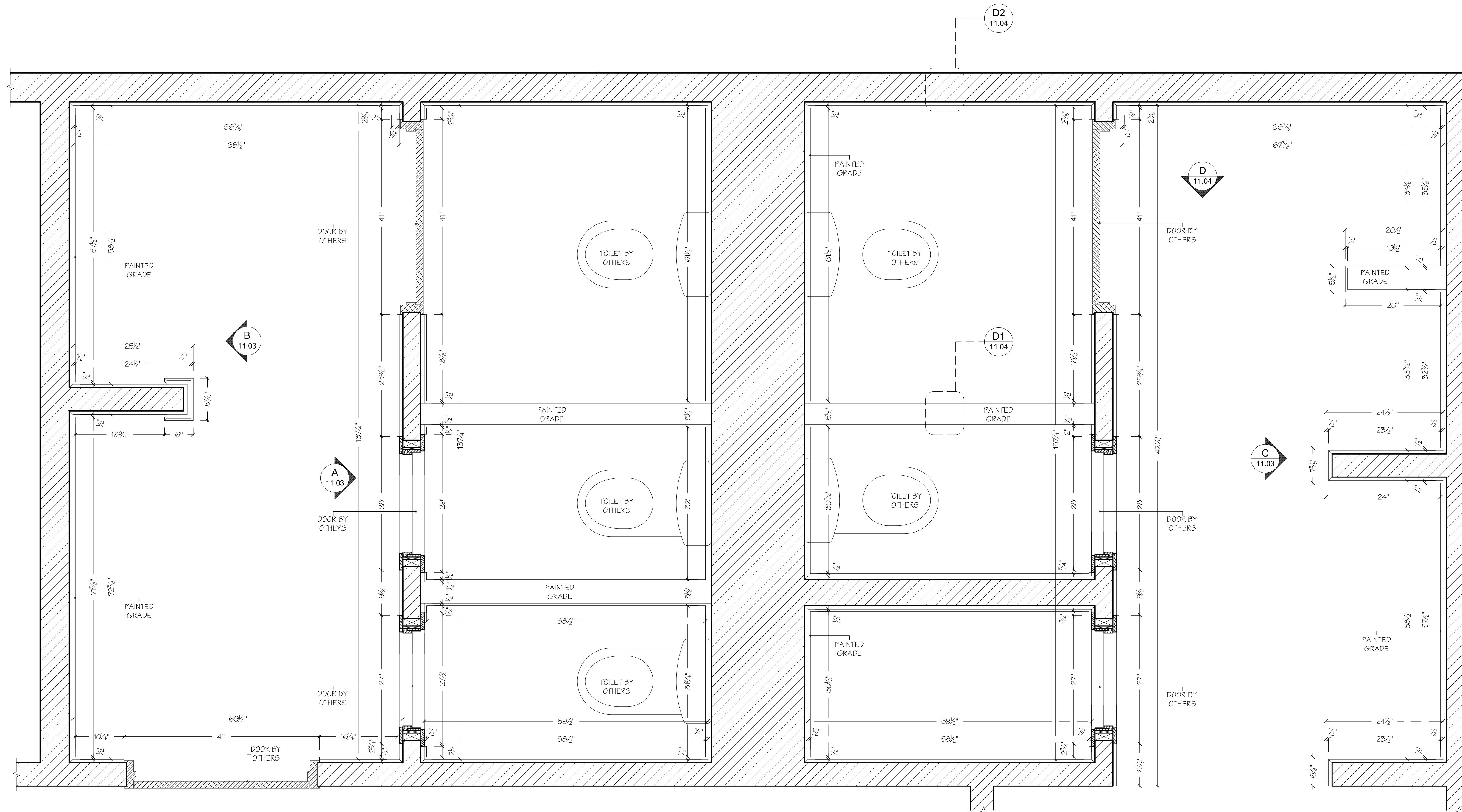
REVISIONS:

QCP NUMBER:	16.0266
CUT BILL NO.:	
DRAWN BY:	TS
CHECKED BY:	- G.G.

MONTPELIER CLAUDE MOORE HALL
 MONTPELIER STATION, VIRGINIA
 BASE

DRAWING NO.

10.01



1 PLAN PANELS
 SCALE: 1" = 1'-0" MEN AND WOMEN 1 110, 1 111
 ARCH: 1/A2.1

GENERAL NOTES

(CUSTOM & PREMIUM GRADE; NON-LEED CERTIFIED; NON-FSC CERTIFIED; F.R.; AW CERTIFIED)

* COMPARTMENT SCREEN: PAINT-GRADE, FRIMING AND PAINTING B.O
 * WALL TRIM:

*HARDWARE:

CONSTRUCTION NOTES:



1500 CHAMBERLAYNE AVE.
 Richmond, Virginia 23222
 804-213-0300
 804-213-0005 (FAX)
 www.karncustomwoodwork.com

KARN CUSTOM WOODWORK

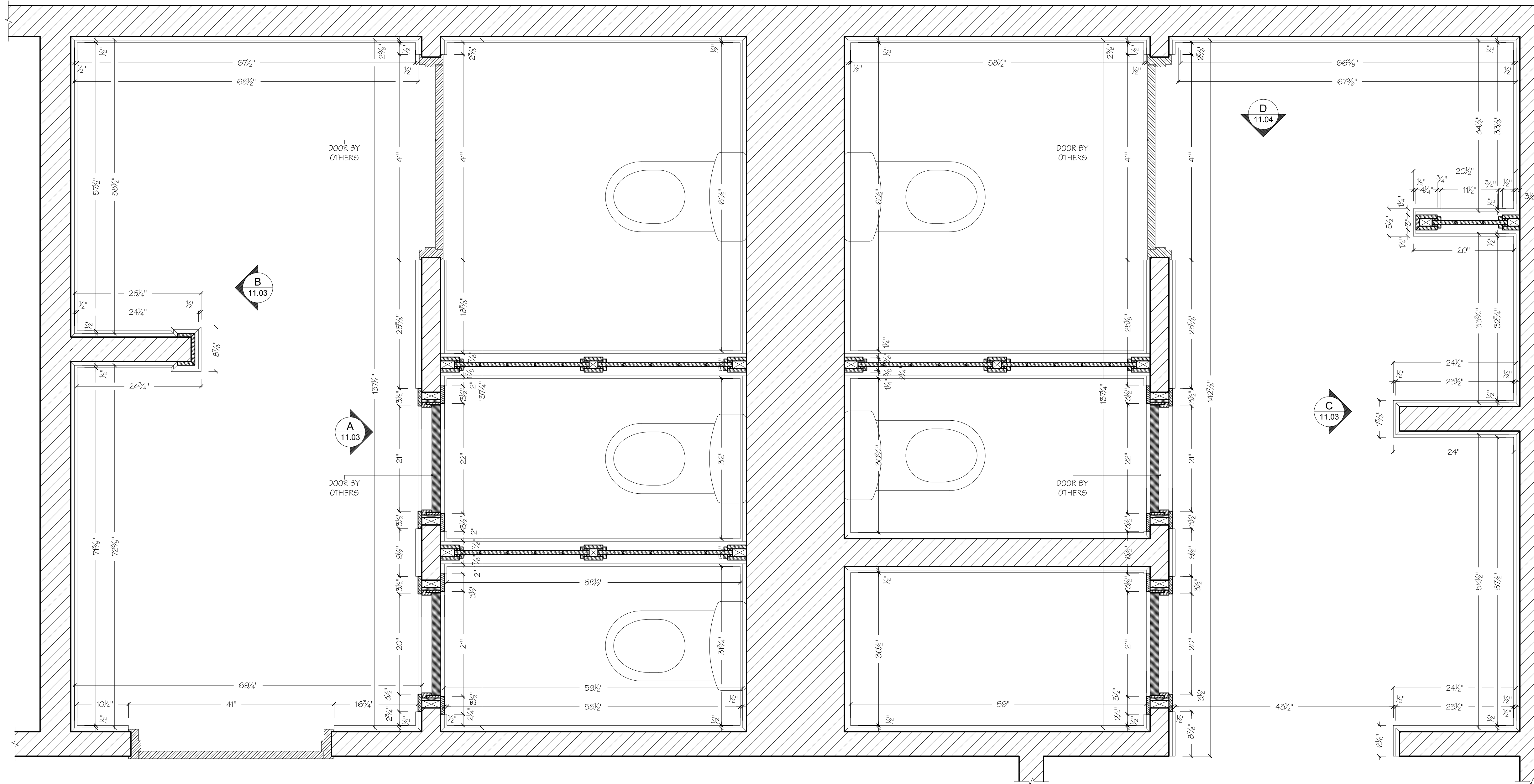
1	03/26/2016 SUBMITTAL
2	03/30/2016 FOR APPROVAL
3	DATE 3
4	DATE 4

QCP NUMBER: 16.0266
CUT BILL NO.:
DRAWN BY: DK
CHECKED BY: - G.G.

MONTPELIER CLAUDE MOORE HALL
 MONTPELIER STATION, VIRGINIA
 MEN AND WOMEN 1 110, 1 111

DRAWING NO.

11.01



2 PLAN PANELS
 SCALE: 1" = 1'-0" MEN AND WOMEN 1 110, 1 111
 ARCH: 1/A2.1

GENERAL NOTES

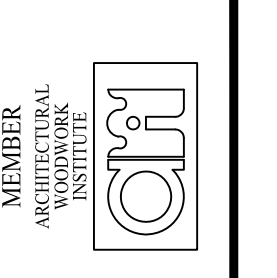
(CUSTOM & PREMIUM GRADE; NON-LEED CERTIFIED; NON-FSC CERTIFIED; F.R.; AWI CERTIFIED)

* COMPARTMENT SCREEN: PAINT-GRADE, PRIMING AND PAINTING B.O

* WALL TRIM:

*HARDWARE:

CONSTRUCTION NOTES:



1500 CHAMBERLAYNE AVE.
 Richmond, Virginia 23222
 804-213-0300
 804-213-0005 (FAX)
 www.karncustomwoodwork.com

KARN CUSTOM WOODWORK

QCP NUMBER: 16.0266	1	03/26/2016	SUBMITTAL
CUT BILL NO.:	2	03/30/2016	FOR APPROVAL
DRAWN BY: DK	3	DATE 3	
CHECKED BY: - G.G.	4	DATE 4	

MONTPELIER CLAUDE MOORE HALL
 MONTPELIER STATION, VIRGINIA
 MEN AND WOMEN 1 110, 1 111

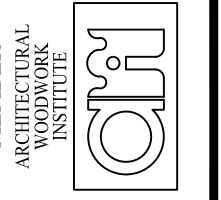
GENERAL NOTES

(CUSTOM & PREMIUM GRADE; NON-LEED CERTIFIED; NON-FSC CERTIFIED; F.R.; AW CERTIFIED)

* COMPARTMENT SCREEN: PAINT-GRADE, FRIMING AND PAINTING B.O
 * WALL TRIM:

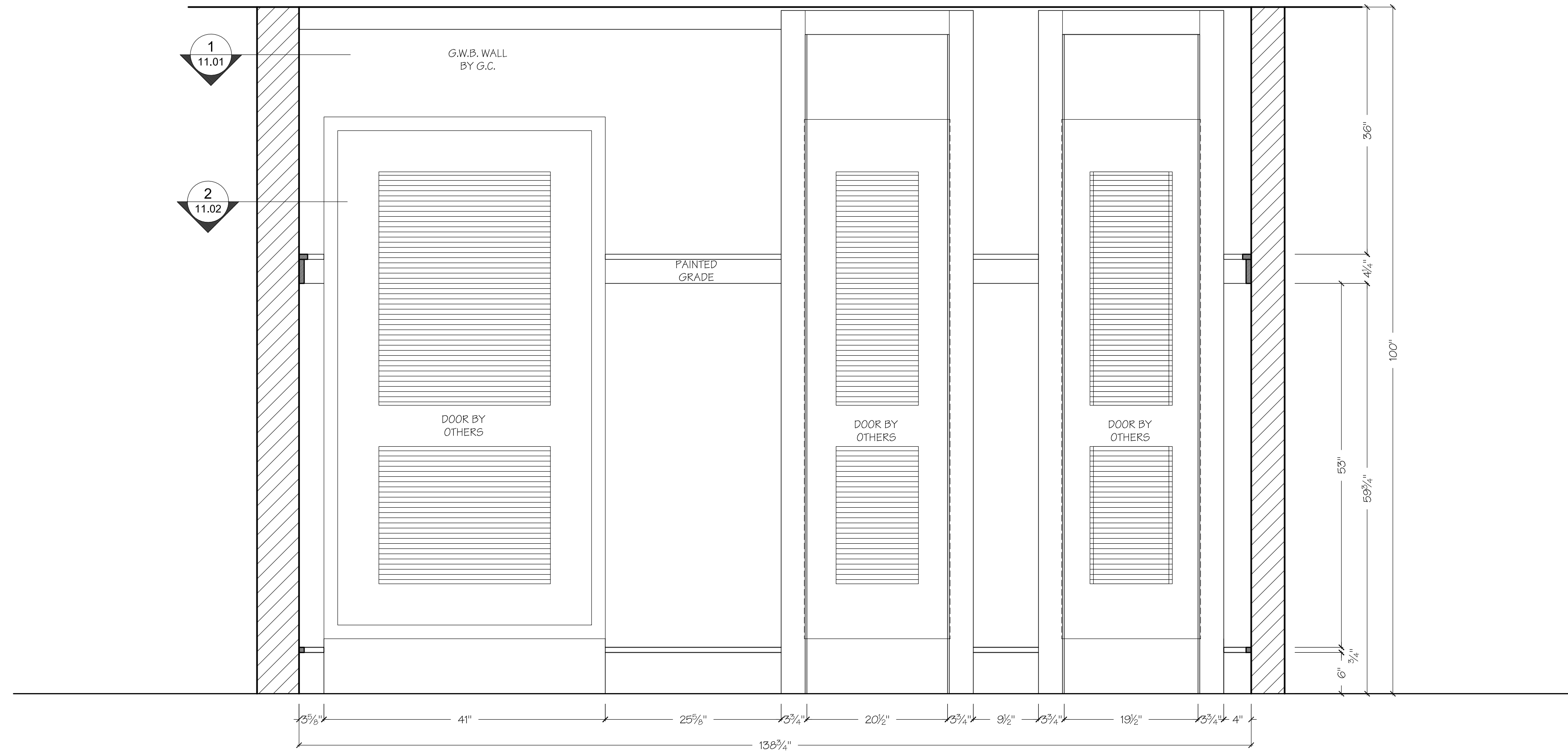
*HARDWARE:

CONSTRUCTION NOTES:

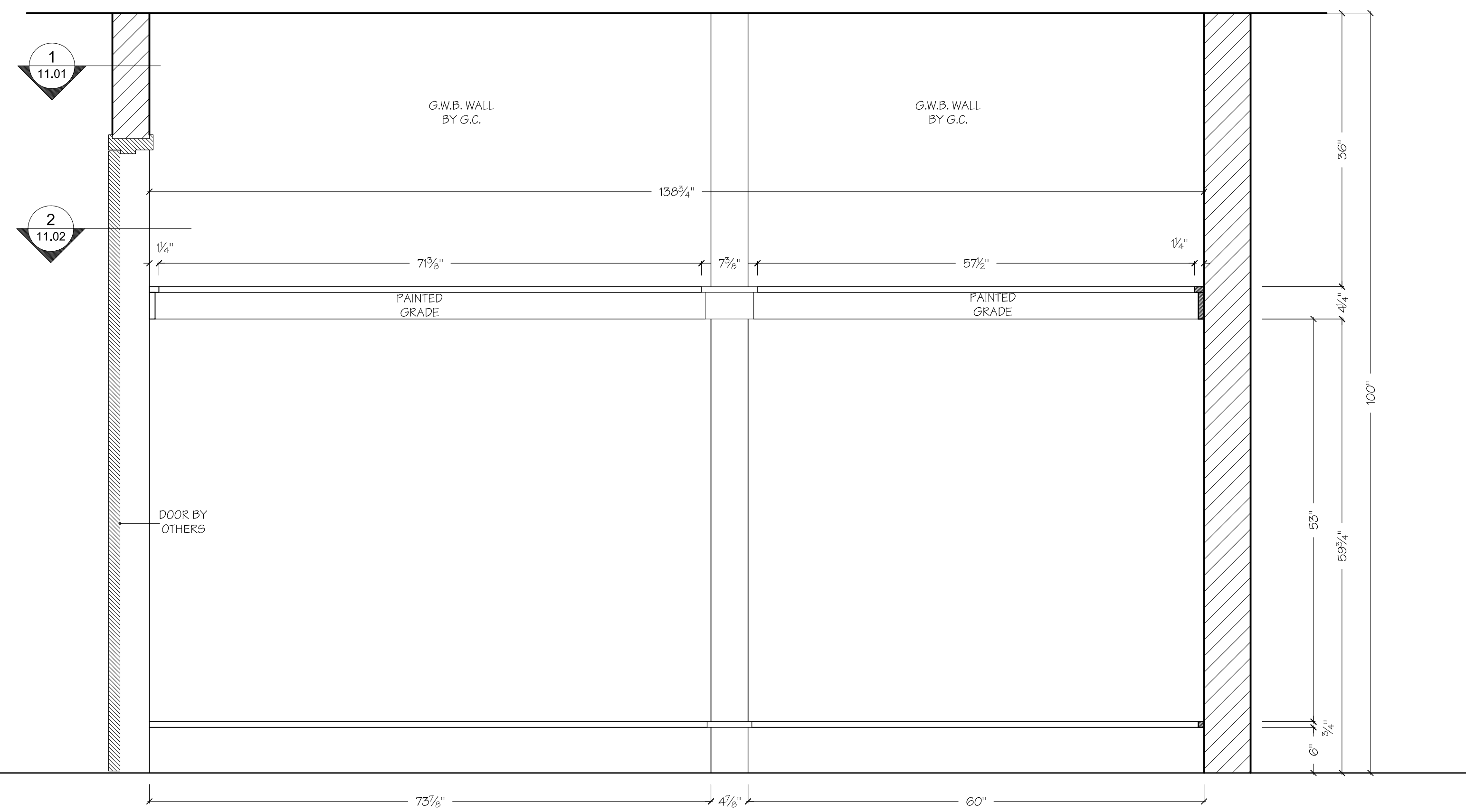


1500 CHAMBERLAYNE AVE,
 Richmond, Virginia 23222
 804-213-0300
 804-213-0005 (FAX)
 www.karncustomwoodwork.com

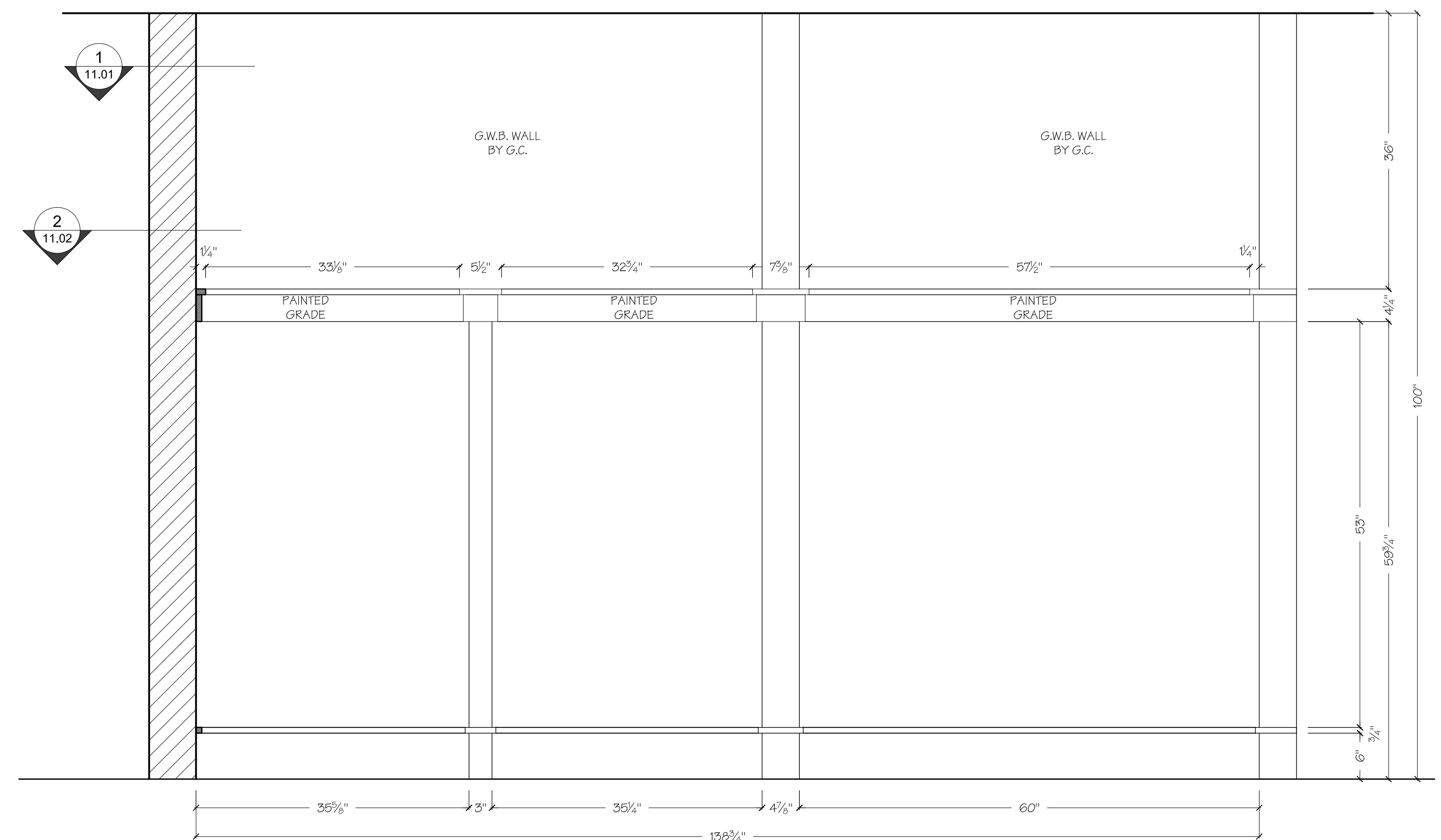
KARN CUSTOM WOODWORK



A ELEVATION PANELS
 SCALE: 1" = 1'-0" MEN AND WOMEN 1 110, 1 111



B ELEVATION PANELS
 SCALE: 1" = 1'-0" MEN AND WOMEN 1 110, 1 111



C ELEVATION PANELS
 SCALE: 1" = 1'-0" MEN AND WOMEN 1 110, 1 111
 ARCH: 4/A6.1

1	03/26/2016 SUBMITTAL
2	03/30/2016 FOR APPROVAL
3	DATE 3
4	DATE 4

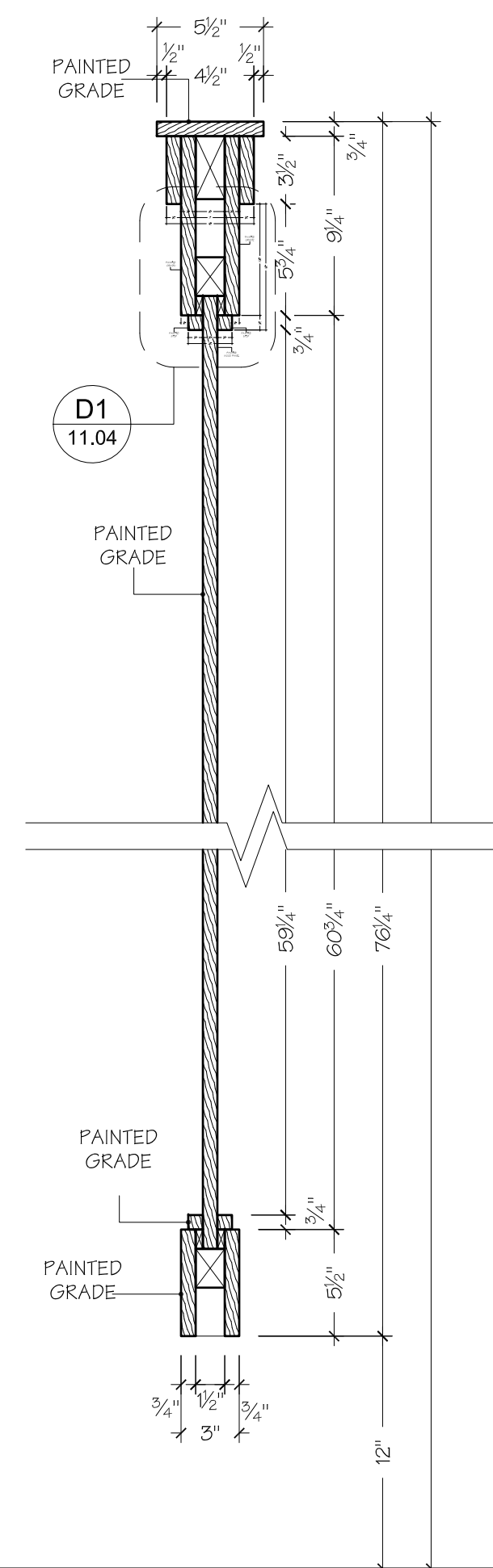
REVISIONS:

QCP NUMBER: 16.0266
CUT BILL NO.:
DRAWN BY: DK
CHECKED BY: - G.C.

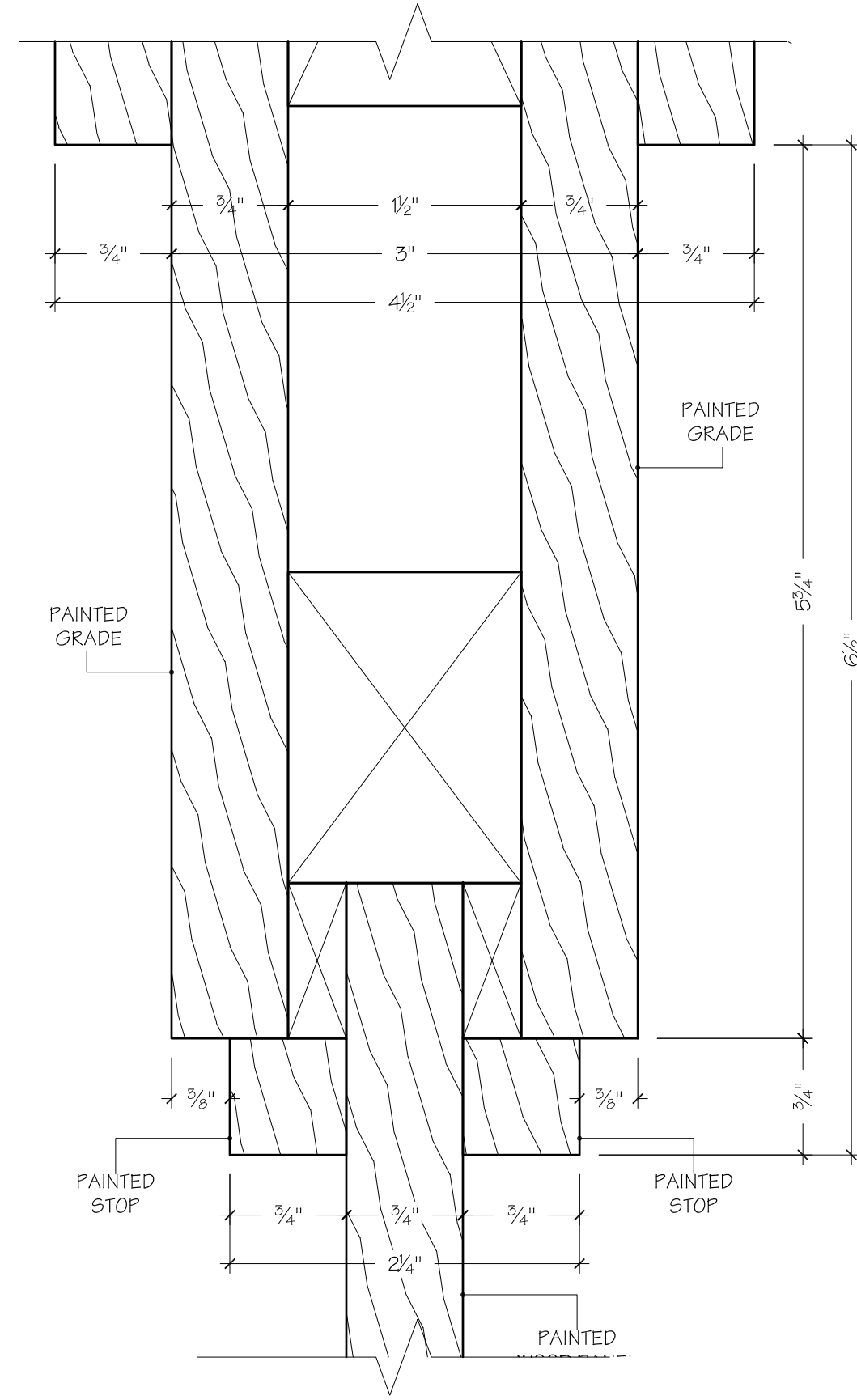
MONTPELIER CLAUDE MOORE HALL
 MONTPELIER STATION, VIRGINIA
 MEN AND WOMEN 1 110, 1 111

DRAWING NO.

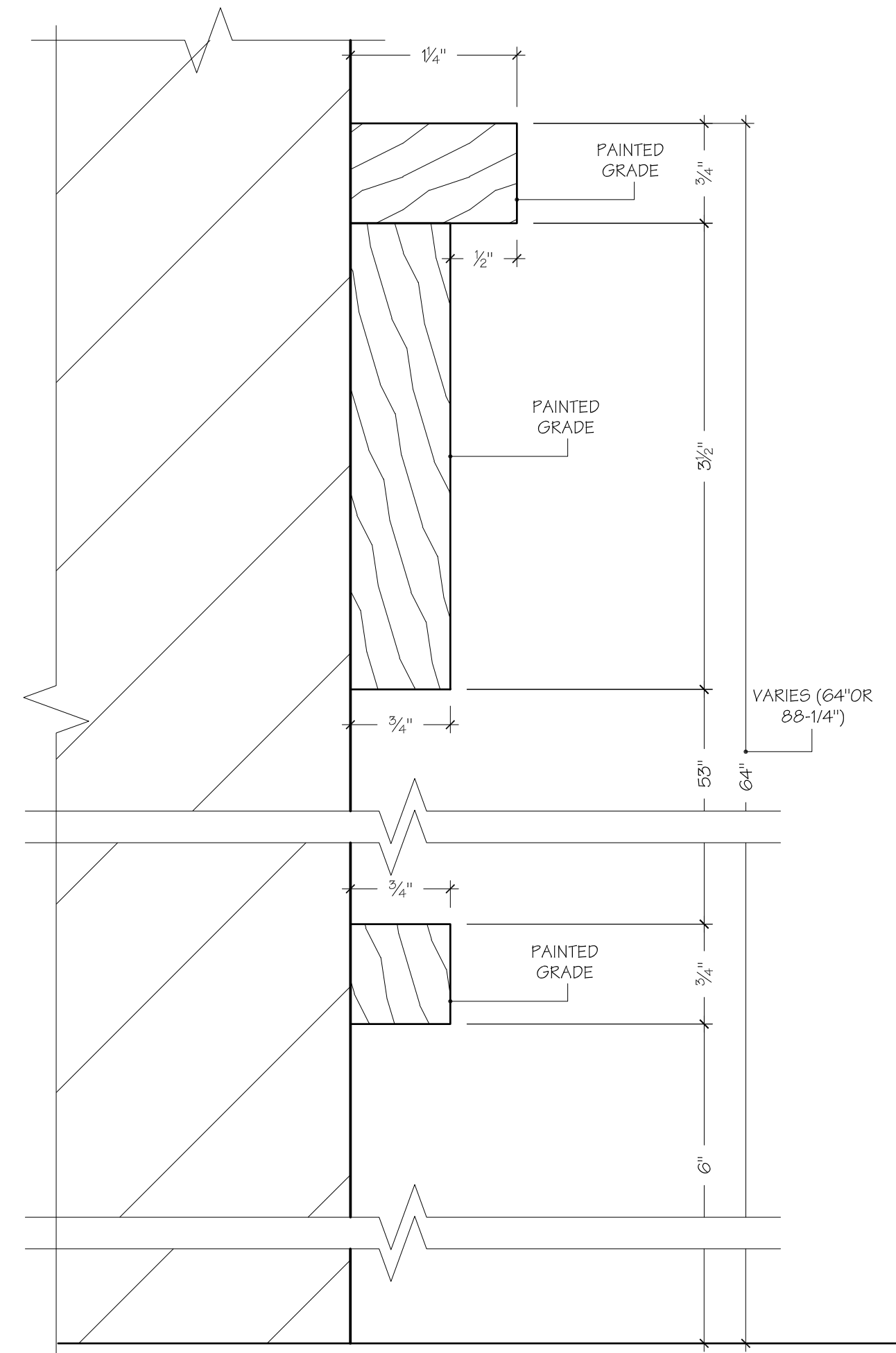
11.03



S1 SECTION
SCALE: 1-1/2" = 1'-0"
MEN AND WOMEN 1 110, 1 111
ARCH: S110.03



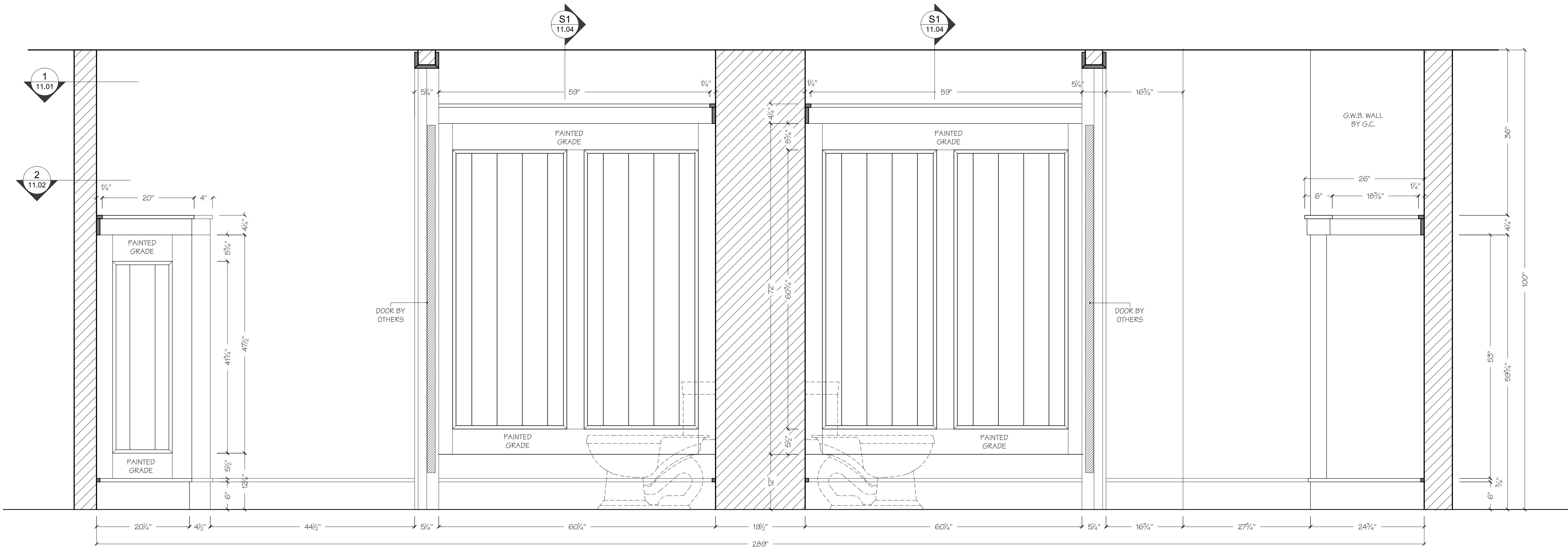
D1 DETAILS
SCALE: FULL
MEN AND WOMEN 1 110, 1 111



D2 DETAILS
SCALE: FULL
MEN AND WOMEN 1 110, 1 111

GENERAL NOTES
(CUSTOM & PREMIUM GRADE; NON-LEED CERTIFIED; NON-FSC CERTIFIED; F.R.; AW CERTIFIED)
* COMPARTMENT SCREEN: PAINT-GRADE, FRIMING AND PAINTING B.O
* WALL TRIM:
* HARDWARE:
CONSTRUCTION NOTES:

MEMBER ARCHITECTURAL INSTITUTE
1500 CHAMBERLAYNE AVE.
Richmond, Virginia 23222
804-213-0300
804-213-0005 (FAX)
www.karncustomwoodwork.com
KARN CUSTOM WOODWORK



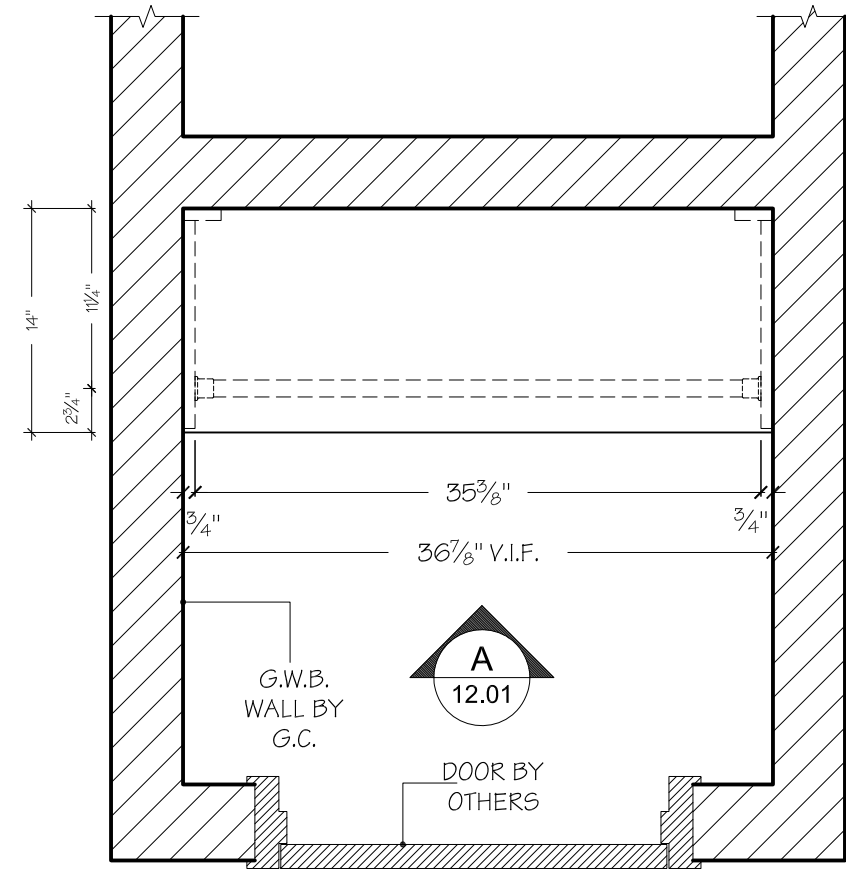
D ELEVATION
SCALE: 1" = 1'-0"
MEN AND WOMEN 1 110, 1 111

QCP NUMBER: 16.0266	03/26/2016 SUBMITTAL
CUT BILL NO.:	03/30/2016 FOR APPROVAL
DRAWN BY: DK	DATE 3
CHECKED BY: - G.C.	DATE 4

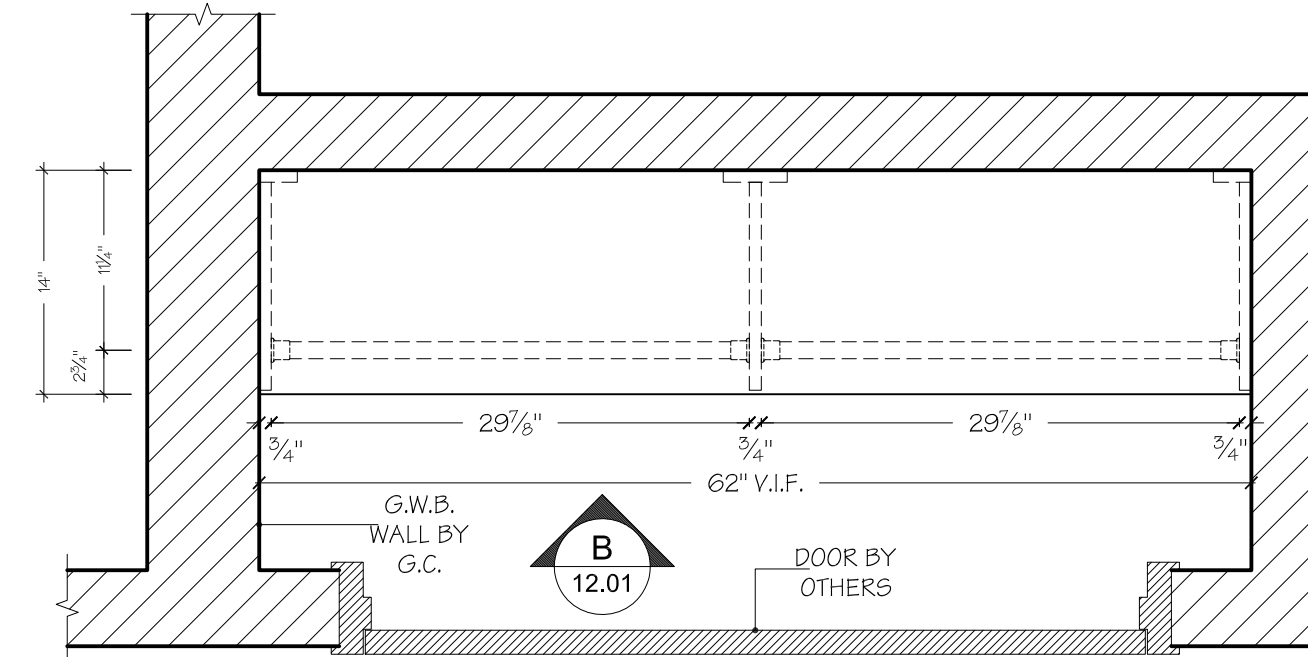
REVISIONS:

1	03/26/2016 SUBMITTAL
2	03/30/2016 FOR APPROVAL
3	DATE 3
4	DATE 4

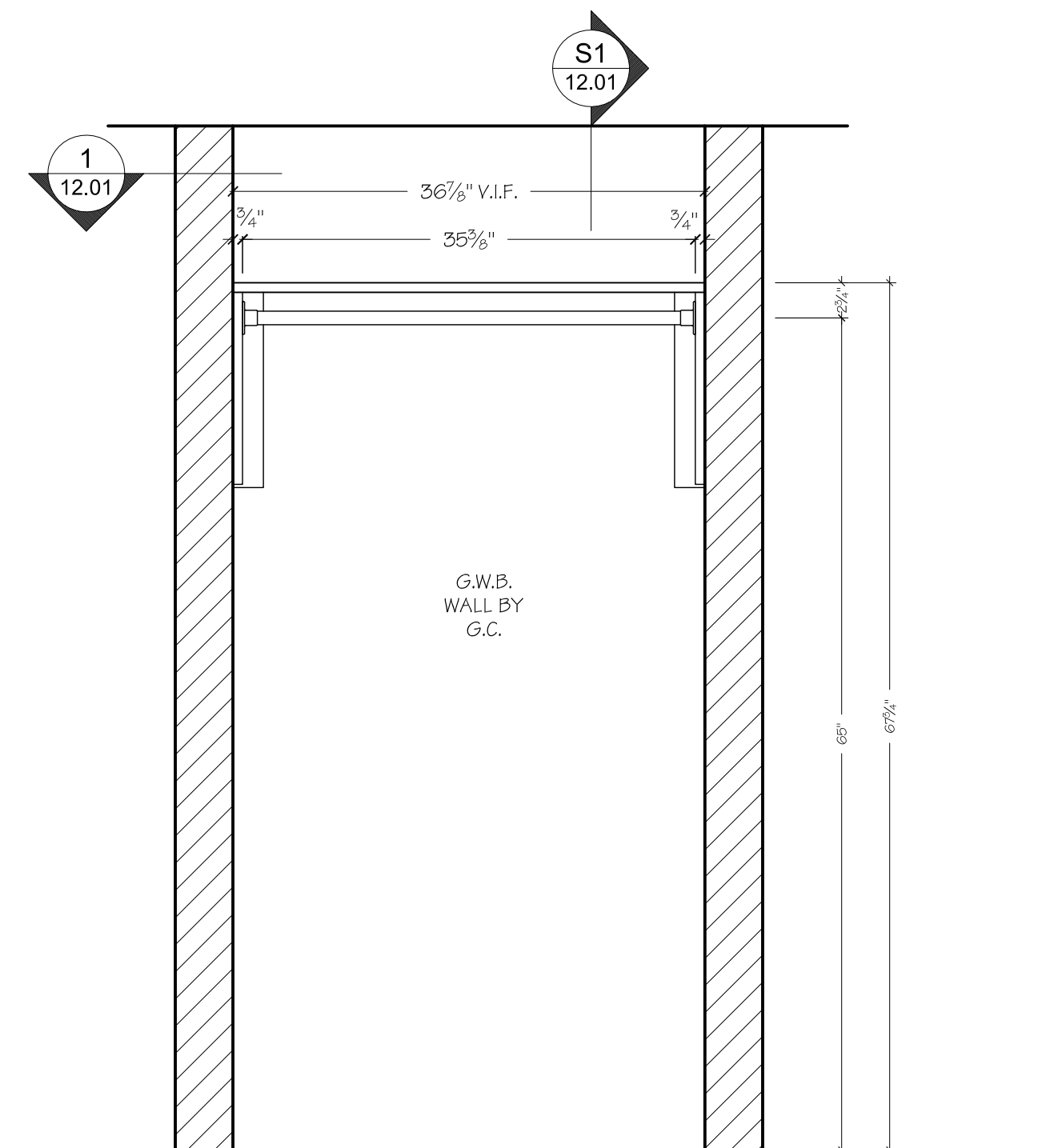
MONTPELIER CLAUDE MOORE HALL
MONTPELIER STATION, VIRGINIA
MEN AND WOMEN 1 110, 1 111



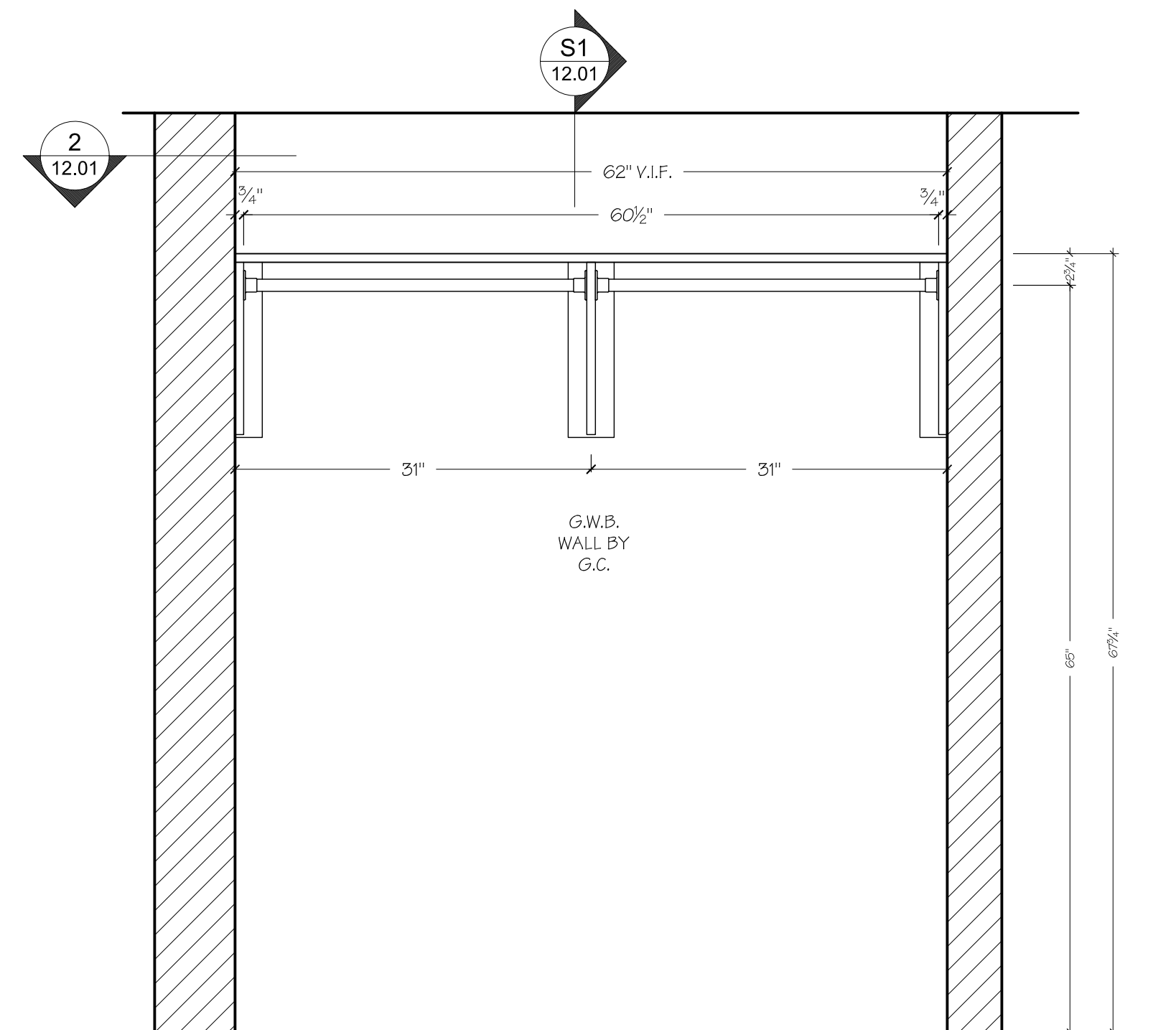
1 PLAN CLOSET
SCALE: 1" = 1'-0" CLOSETS 1 115, 1 116
ARCH:A2.1



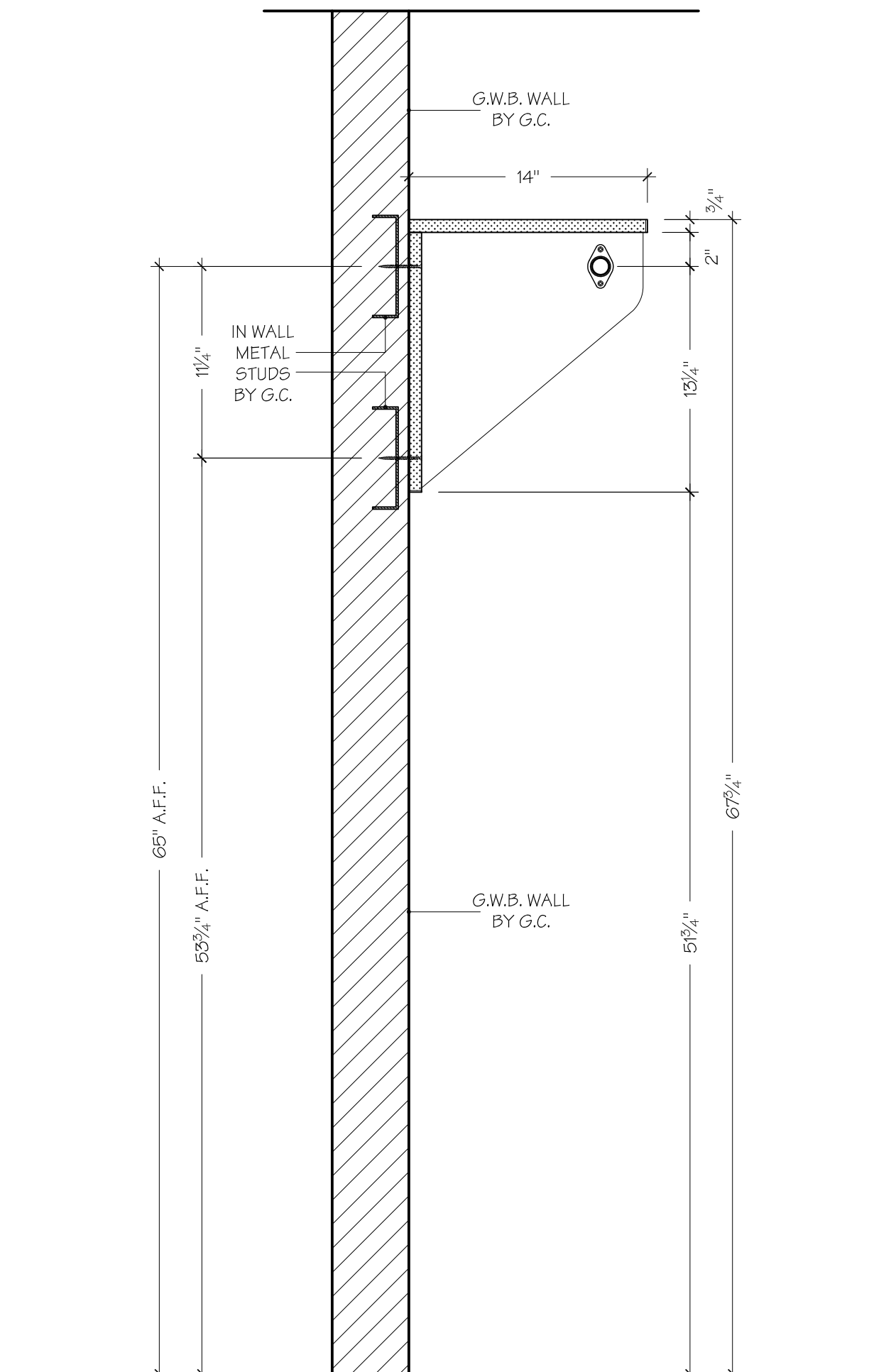
2 PLAN CLOSET
SCALE: 1" = 1'-0" CLOSET 1 114
ARCH:A2.1



A ELEVATION CLOSETS
SCALE: 1" = 1'-0" CLOSETS 1 115, 1 116



B ELEVATION CLOSET
SCALE: 1" = 1'-0" CLOSET 1 114



S1 SECTION CLOSET
SCALE: 1-1/2"=1'-0" CLOSETS 1 114, 1 115, 1 116

GENERAL NOTES

(CUSTOM & PREMIUM GRADE; NON-LEED CERTIFIED; NON-FSC CERTIFIED; F.R.; AWI CERTIFIED)

* SHELING: PAINT GRADE CLOSET SHELF, PRIMING AND PAINTING B.O.

*HARDWARE:

-ROD: K&V 770-1 WITH WALL-MOUNT FLANGES 734 CHR

CONSTRUCTION NOTES:



1500 CHAMBERLAYNE AVE.
Richmond, Virginia 23222
804-213-0300
804-213-0005 (FAX)
www.karncustomwoodwork.com

KARN CUSTOM WOODWORK

NO.	DATE	REVISIONS
1	03/26/2016	SUBMITTAL
2	03/30/2016	FOR APPROVAL
3	DATE 3	
4	DATE 4	

QCP NUMBER: 16.0266
CUT BILL NO.:
DRAWN BY: TK
CHECKED BY: - G.C.

MONTPELLIER CLAUDE MOORE HALL
MONTPELLIER STATION, VIRGINIA
CLOSETS 1 114, 1 115, 1 116

DRAWING NO.

12.01

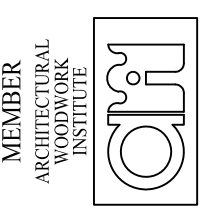
GENERAL NOTES

(CUSTOM & PREMIUM GRADE; NON-LEED CERTIFIED; NON-FSC CERTIFIED; F.R.; AWI CERTIFIED)

* CEILING TRIM : RECLAIMED PINE; FINISHED TO MATCH APPROVED SAMPLE

*HARDWARE:

CONSTRUCTION NOTES:



MEMBER
ARCHITECTURAL
INSTITUTE
AWI

1500 CHAMBERLAYNE AVE,
Richmond, Virginia 23222
804 - 213 - 0300
804 - 213 - 0005 (FAX)
www.karncustomwoodwork.com

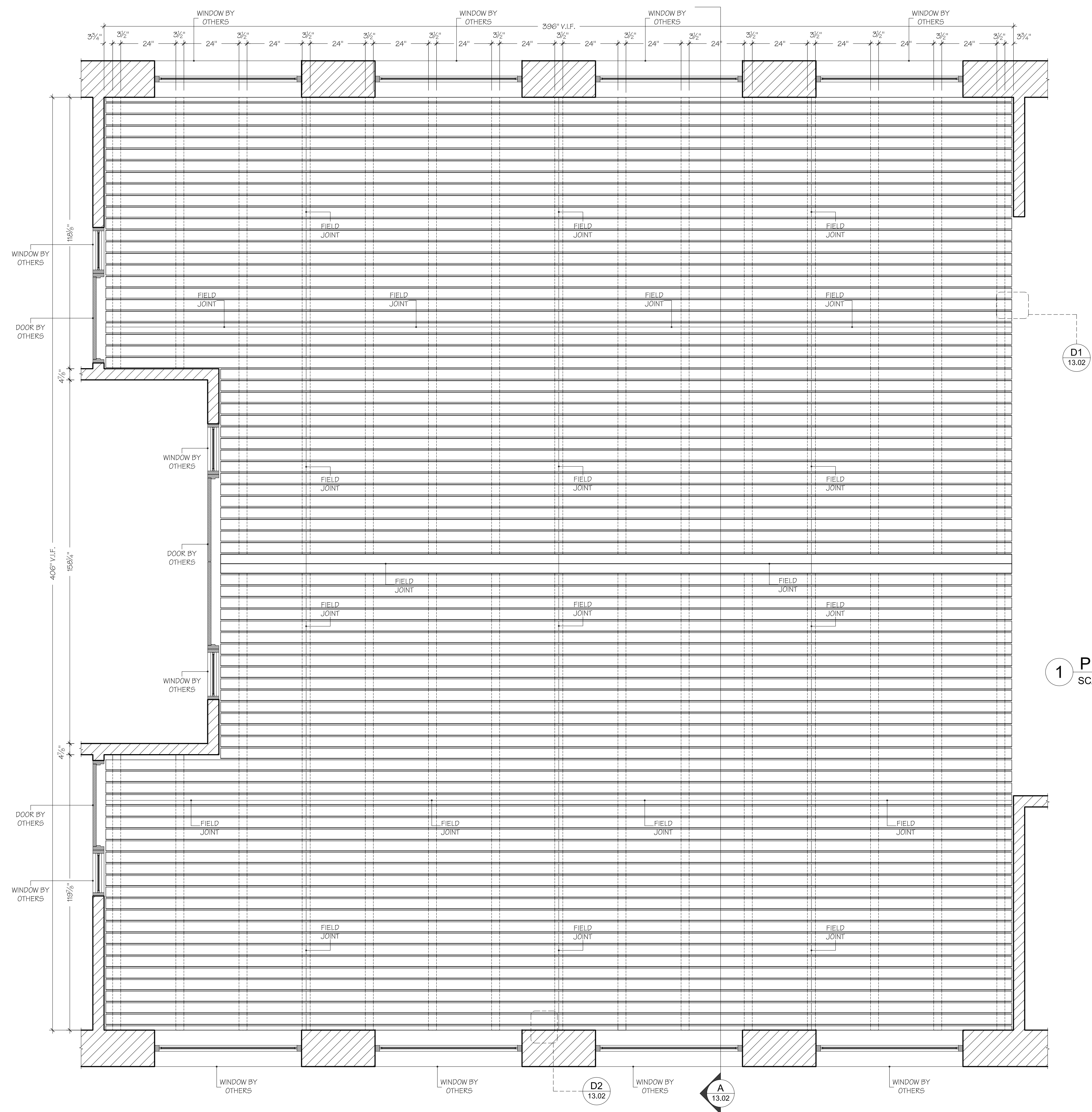
1	03/26/2016 SUBMITTAL
2	03/30/2016 FOR APPROVAL
3	DATE 3
4	DATE 4

QCP NUMBER: 16.0266
CUT BILL NO.:
DRAWN BY: DK
CHECKED BY: - G.G.

MONTPELLIER CLAUDE MOORE HALL
MONTPELLIER STATION, VIRGINIA
OPEN OFFICE 2.200

DRAWING NO.

13.01

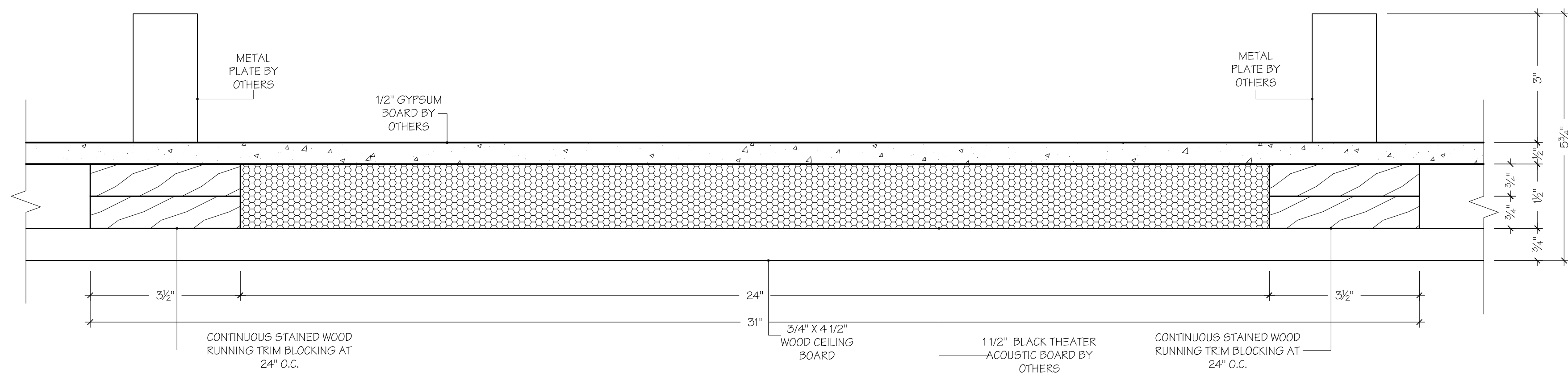


1 PLAN CEILING
SCALE: 1/2" = 1'-0" OPEN OFFICE 2 200

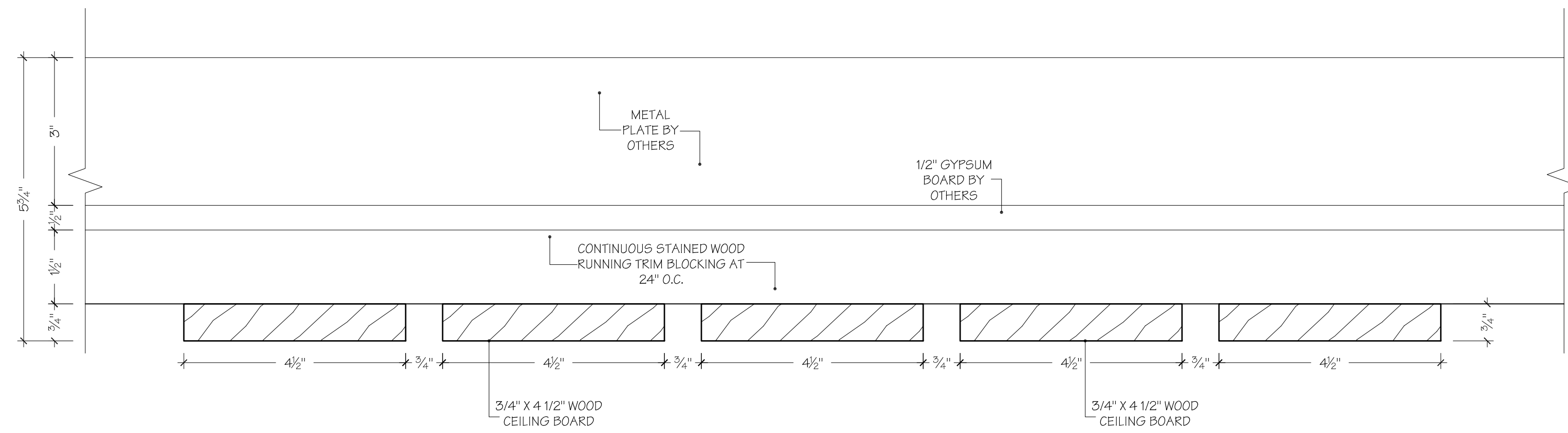
D1
13.02

D2
13.02

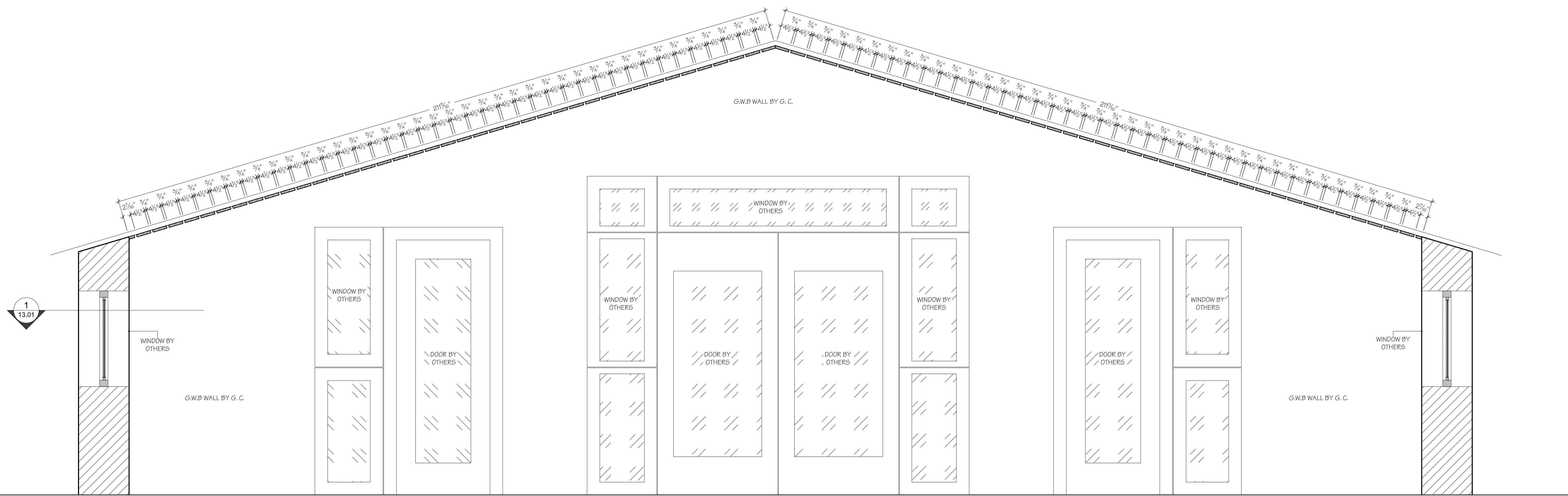
A
13.02



D1 DETAILS CEILING
SCALE: HALF OPEN OFFICE 2 200



D2 DETAILS CEILING
SCALE: HALF OPEN OFFICE 2 200



A ELEVATION CEILING
SCALE: 3/4" = 1'- 0" OPEN OFFICE 2 200
ARCH: 1A/A6.3

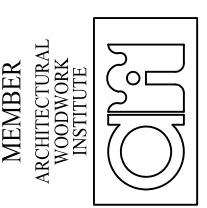
GENERAL NOTES

(CUSTOM & PREMIUM GRADE; NON-LEED CERTIFIED; NON-FSC CERTIFIED; F.R.; AWI CERTIFIED)

* CEILING TRIM : RECLAIMED PINE; FINISHED TO MATCH APPROVED SAMPLE

*HARDWARE:

CONSTRUCTION NOTES:



1500 CHAMBERLAYNE AVE.
Richmond, Virginia 23222
804 - 213 - 0300
804 - 213 - 0005 (FAX)
www.karncustomwoodwork.com

KARN CUSTOM WOODWORK

1	03/26/2016 SUBMITTAL
2	03/30/2016 FOR APPROVAL
3	DATE 3
4	DATE 4

REVISIONS

QCP NUMBER: 16.0266
CUT BILL NO.:
DRAWN BY: DK
CHECKED BY: - G.C.

MONTPELIER CLAUDE MOORE HALL
MONTPELIER STATION, VIRGINIA
OPEN OFFICE 2 200

DRAWING NO.

13.02

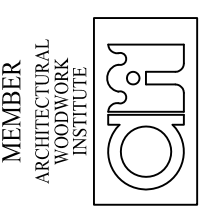
GENERAL NOTES

(CUSTOM & PREMIUM GRADE; NON-LEED CERTIFIED; NON-FSC CERTIFIED; F.R.; AWI CERTIFIED)

- * WALL CAP: OWNERS RECLAIMED PINE / PRE-FINISHED BY KCM
- * APRON: OWNERS RECLAIMED PINE / PRE-FINISHED BY KCM

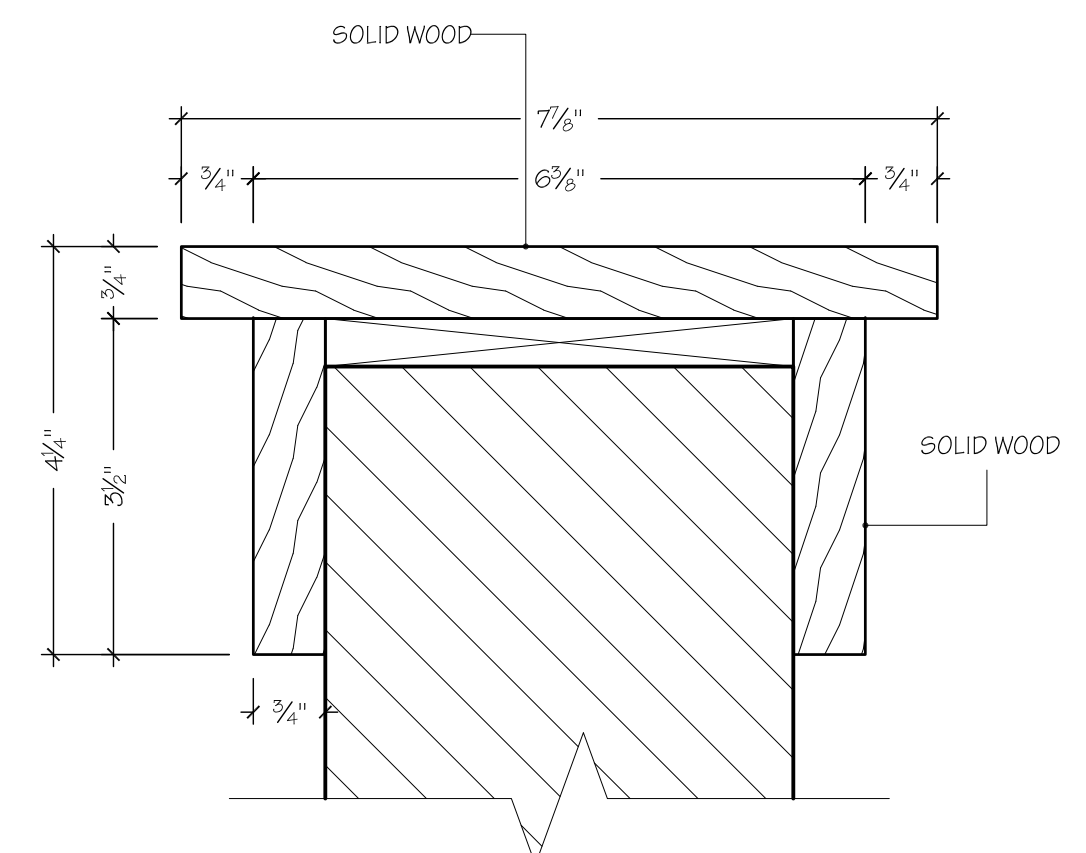
*HARDWARE:

CONSTRUCTION NOTES:



1500 CHAMBERLAYNE AVE.
Richmond, Virginia 23222
804 - 213 - 0300
804 - 213 - 0005 (FAX)
www.karncustomwoodwork.com

KARN CUSTOM WOODWORK



D1 SECTION
DETAILS
SCALE: HALF

WALL CAP
ARCH: 1/A7.1
QTY (30 LFT.)

1	03/26/2016 SUBMITTAL
2	03/30/2016 FOR APPROVAL
3	DATE 3
4	DATE 4

REVISIONS:

QCP NUMBER:	16.0266
CUT BILL NO.:	
DRAWN BY:	TK
CHECKED BY:	- G.G.

MONTPELIER CLAUDE MOORE HALL
MONTPELIER STATION, VIRGINIA
STOREFRONT (AS1, AS2, AS3, AS 4, AS5)

DRAWING NO.

14.01