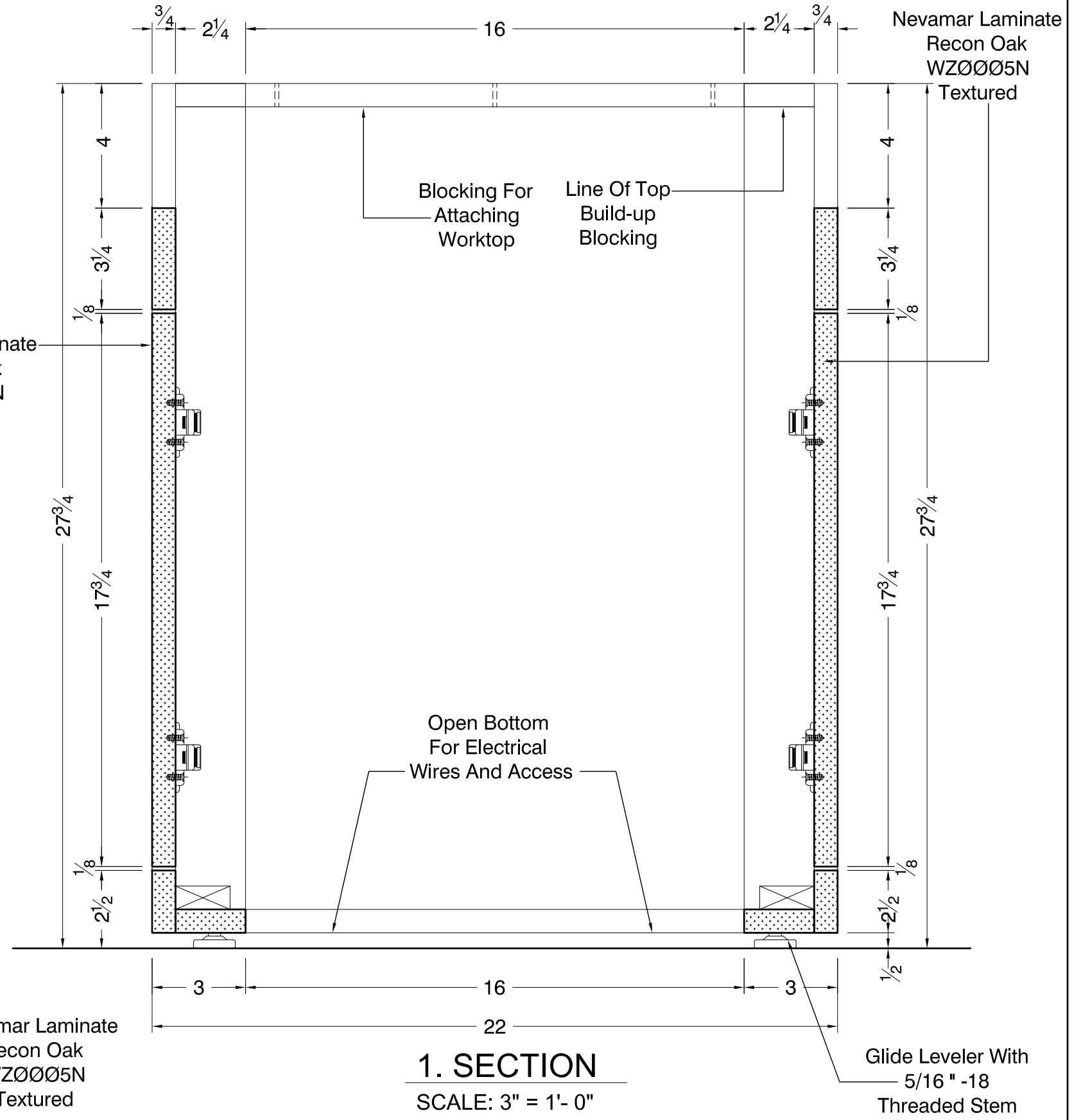
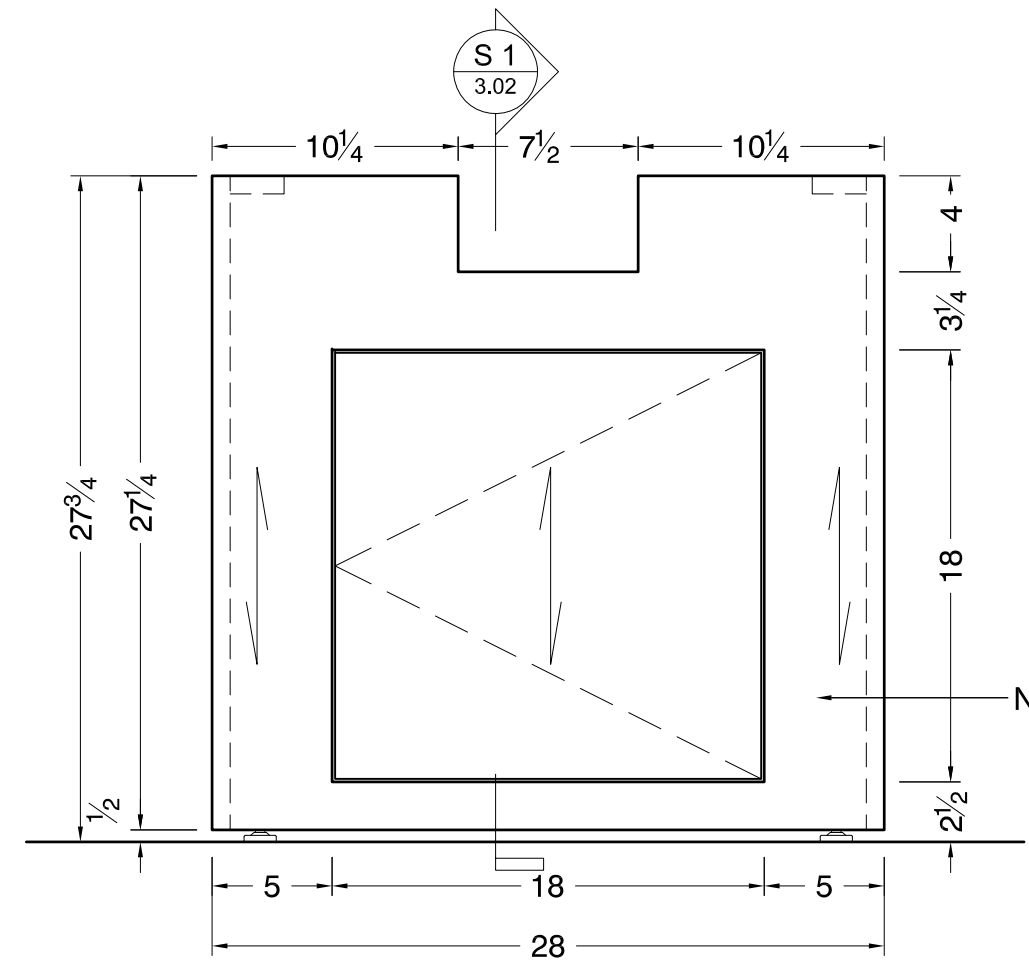
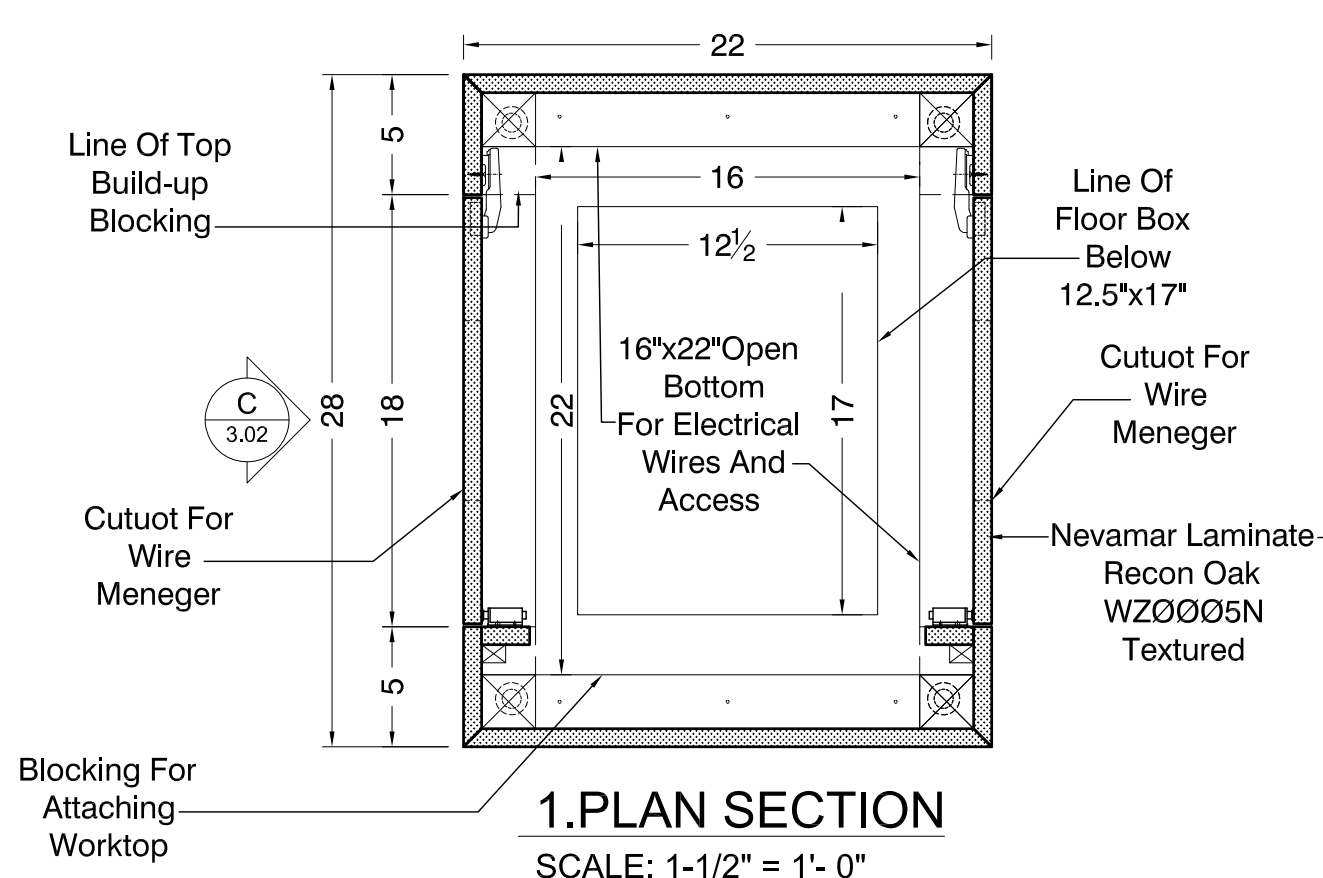
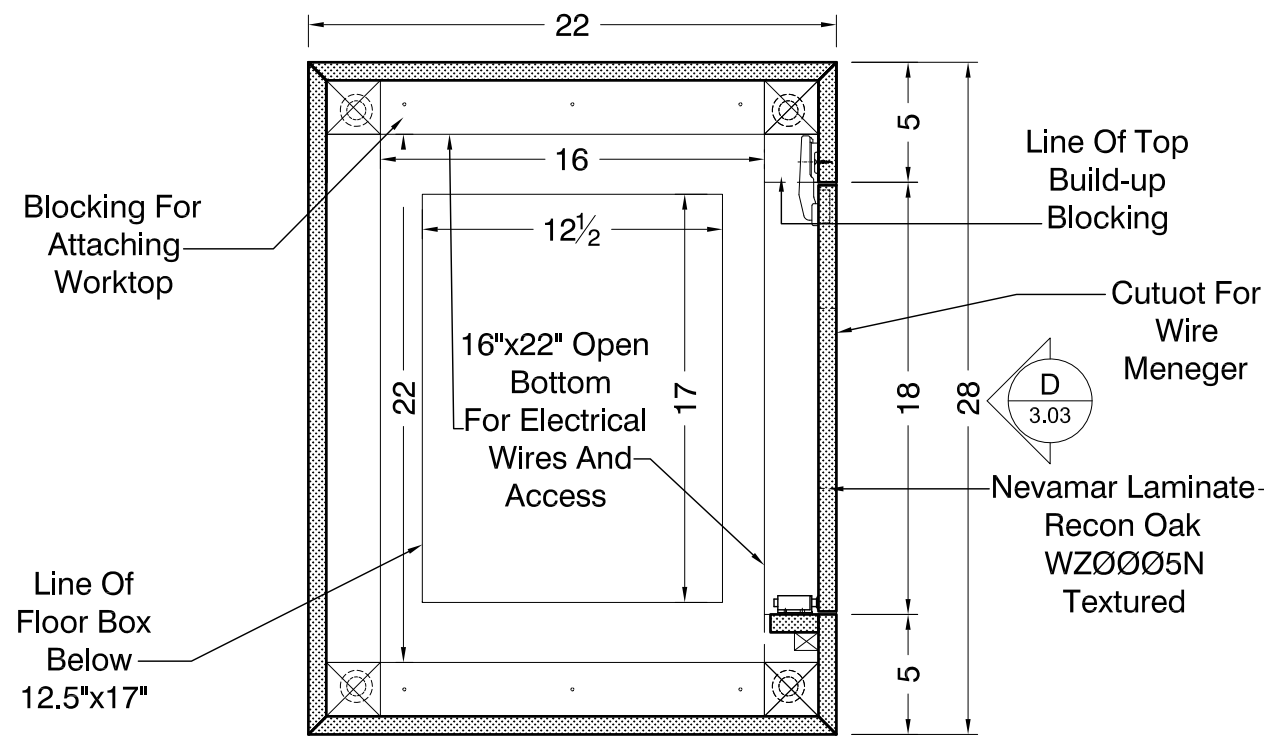


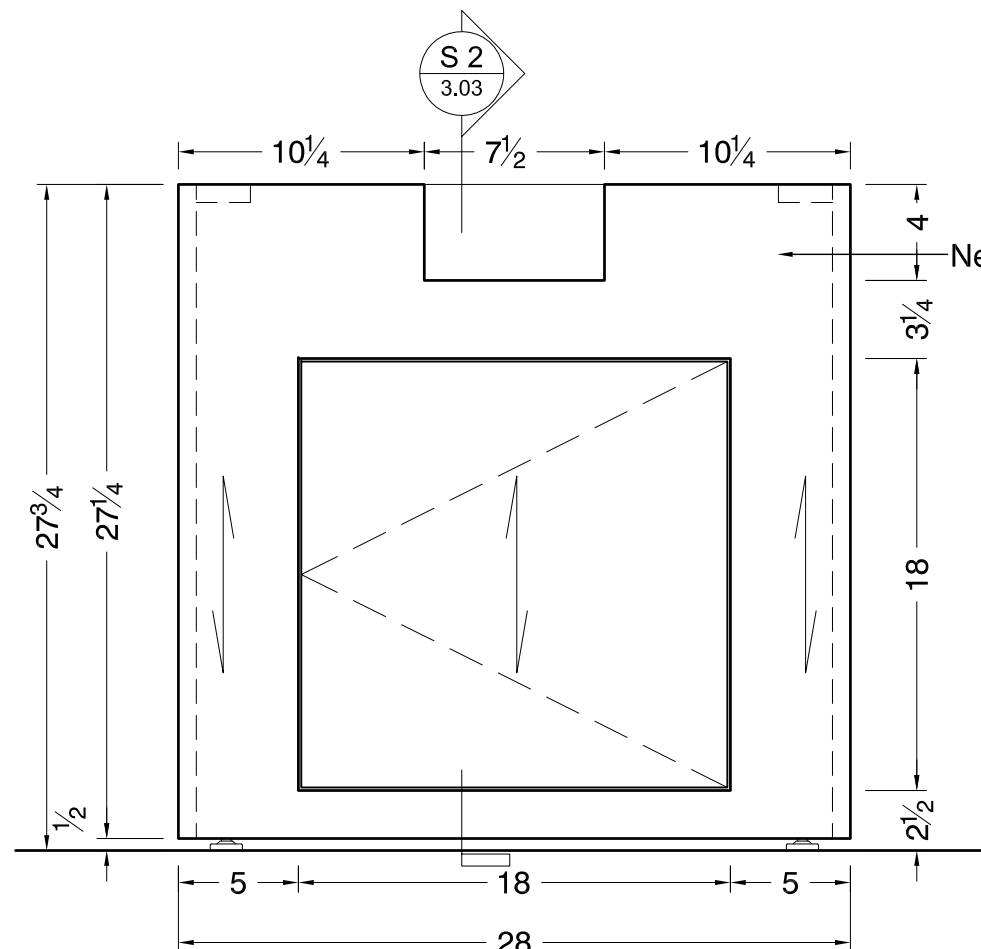
CLIENT SIGN-OFF:		The designs, drawings and specifications hereby represented are and shall remain the property of DDM. No part thereof shall be used or reproduced for any purpose other than the specified project for which they have been prepared and developed without a written consent of DDM.		DRAWN BY: SC	ISSUE DATE: 06-07-12	3RD ANGLE PROJECTION 	dGroup Tailor Made Furniture Solutions	65 Ridge Avenue, St. 100 Bloomfield, NJ 07003 T) 973 866 0289 F) 973 794 2656
PROJECT: 12917		CLIENT : CONFERENCE TABLE ROOM 1514		CHECKED BY:	REVISION DATE: 06-08-12			
W.O. No:		FINISH:		FILE LOCATION:		REVISION DATE:	TOLERANCES: FRACTIONS = ± 1/32 .XXX = ± .031 .XX = ± .062	PART NAME : Conference Table 5' x 15'
DWG. No:		SCALE: As noted		PART No. : N/A		SHEET 3.01		



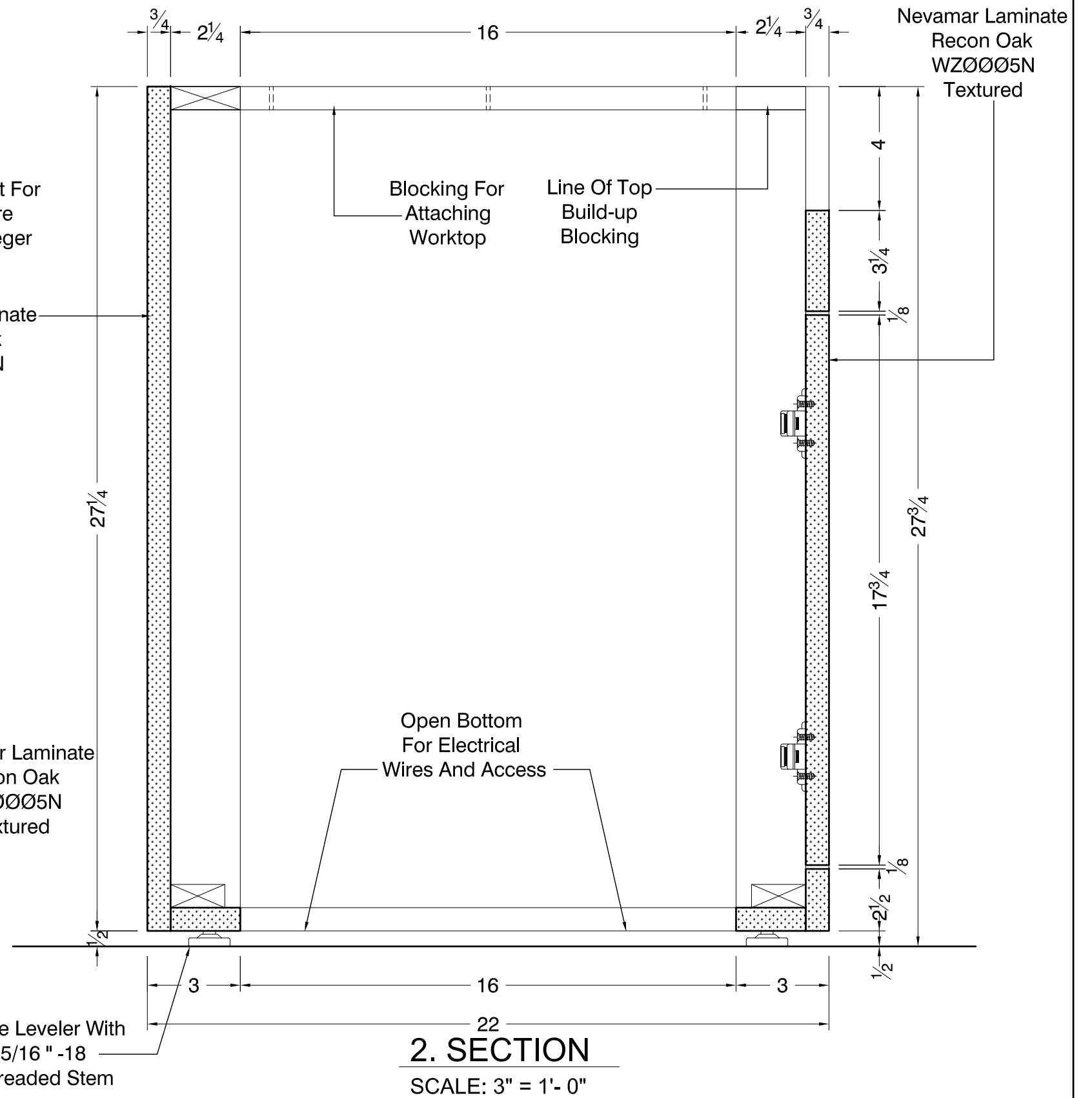
CLIENT SIGN-OFF:		The designs, drawings and specifications hereby represented are and shall remain the property of DGM. No part thereof shall be used or reproduced for any purpose other than the specified project for which they have been prepared and developed without a written consent of DGM.		DRAWN BY: SC	ISSUE DATE: 06-07-12	3RD ANGLE PROJECTION	dGroup Tailor Made Furniture Solutions	65 Ridge Avenue, St. 100 Bloomfield, NJ 07003 T) 973 866 0289 F) 973 794 2656	
PROJECT: 12917	CLIENT: CONFERENCE TABLE ROOM 1514	CHECKED BY:	REVISION DATE: 06-08-12	REVISION DATE: 08-07-12	REVISION DATE:			TOLERANCES: FRACTIONS = ± 1/32 .XXX = ± .031 .XX = ± .062	PART NAME: Conference Table Leg - Center
W.O. No:	FINISH:	FILE LOCATION:	REVISION DATE:				PART No.:	N/A	R SHEET 3.02



2. PLAN SECTION
SCALE: 1-1/2" = 1'- 0"

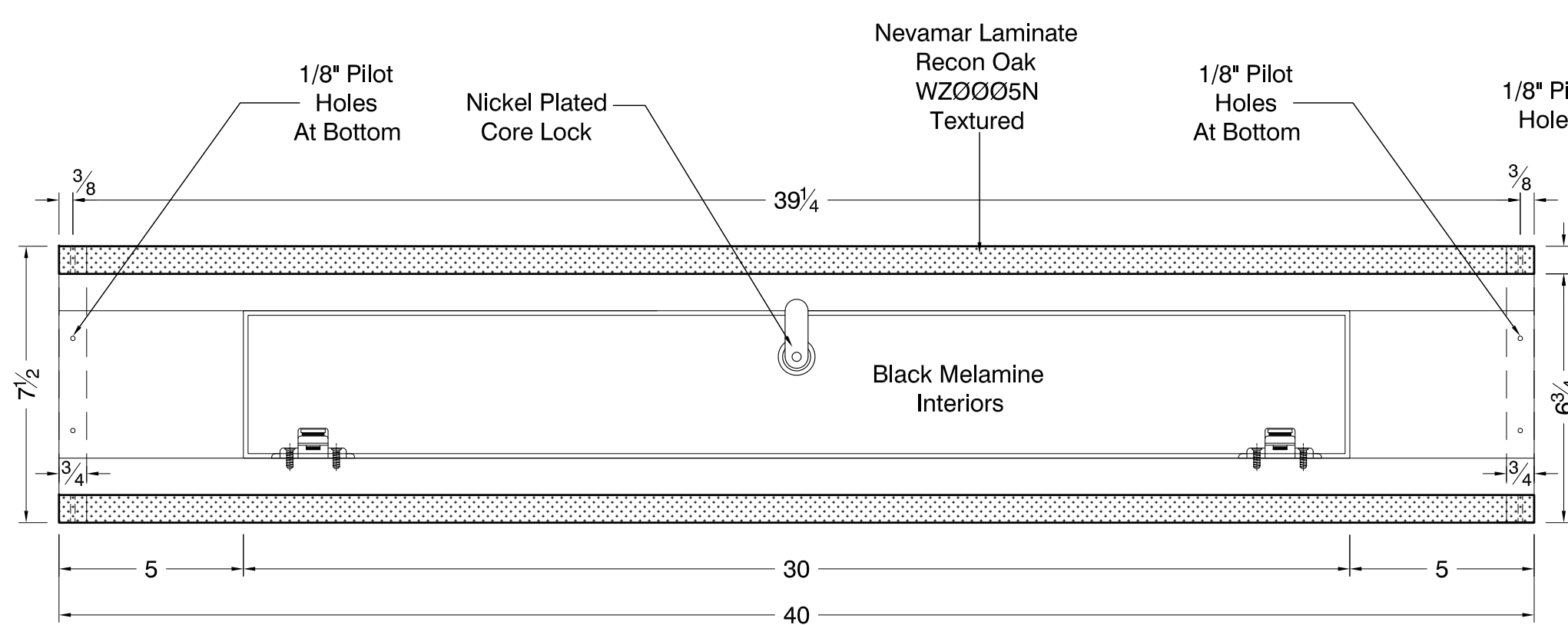


D. ELEVATION
SCALE: 1-1/2" = 1'- 0"



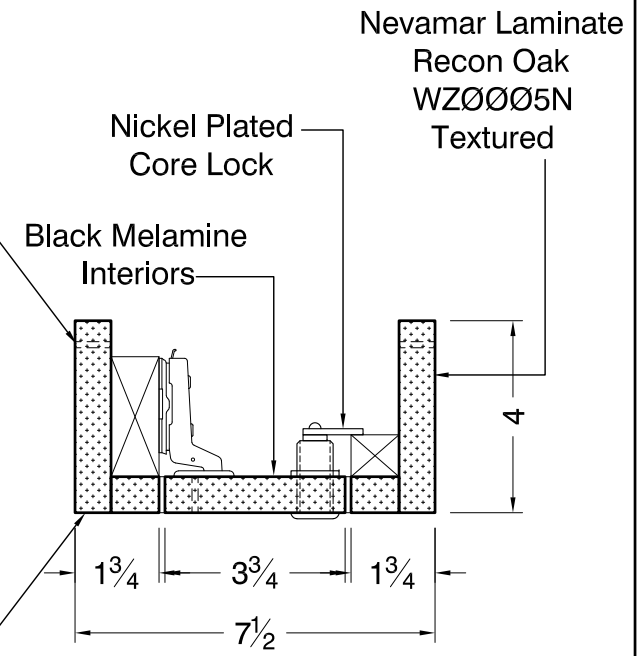
2. SECTION
SCALE: 3" = 1'- 0"

CLIENT SIGN-OFF:		The designs, drawings and specifications hereby represented are and shall remain the property of DGM. No part thereof shall be used or reproduced for any purpose other than the specified project for which they have been prepared and developed without a written consent of DGM.		DRAWN BY: SC	ISSUE DATE: 06-07-12	3RD ANGLE PROJECTION 	dGroup Tailor Made Furniture Solutions	65 Ridge Avenue, St. 100 Bloomfield, NJ 07003 T) 973 866 0289 F) 973 794 2656	
PROJECT: 12917	CLIENT: CONFERENCE TABLE ROOM 1514	CHECKED BY:	REVISION DATE: 06-08-12	REVISION DATE: 08-07-12	TOLERANCES: FRACTIONS = ± 1/32 .XXX = ± .031 .XX = ± .062			PART NAME: Conference Table Leg - End	DWG. SIZE: B
W.O. No:	FINISH:	FILE LOCATION:	REVISION DATE:						R SHEET 3.03



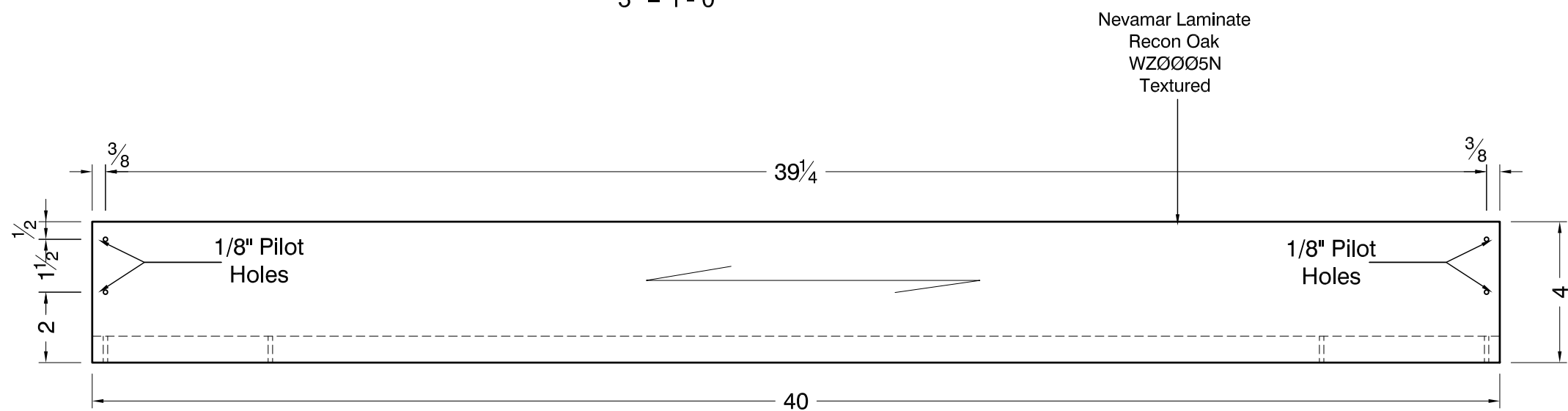
WIRE WAY PLAN SECTION

3" = 1'- 0"



WIRE WAY SECTION

SCALE: 3" = 1'- 0"



WIRE WAY ELEVATION

SCALE: 3" = 1'- 0"

CLIENT SIGN-OFF:		The designs, drawings and specifications hereby represented are and shall remain the property of DGM. No part thereof shall be used or reproduced for any purpose other than the specified project for which they have been prepared and developed without a written consent of DGM.		DRAWN BY: SC	ISSUE DATE: 06-07-12	3RD ANGLE PROJECTION 	65 Ridge Avenue, St. 100 Bloomfield, NJ 07003 T) 973 866 0289 F) 973 794 2656
PROJECT: 12917		CLIENT : CONFERENCE TABLE ROOM 1514		CHECKED BY:	REVISION DATE: 06-08-12		
W.O. No:	FINISH:	FILE LOCATION:	REVISION DATE:			DWG. SIZE: SCALE: PART No. : B As noted N/A	R SHEET 3.04

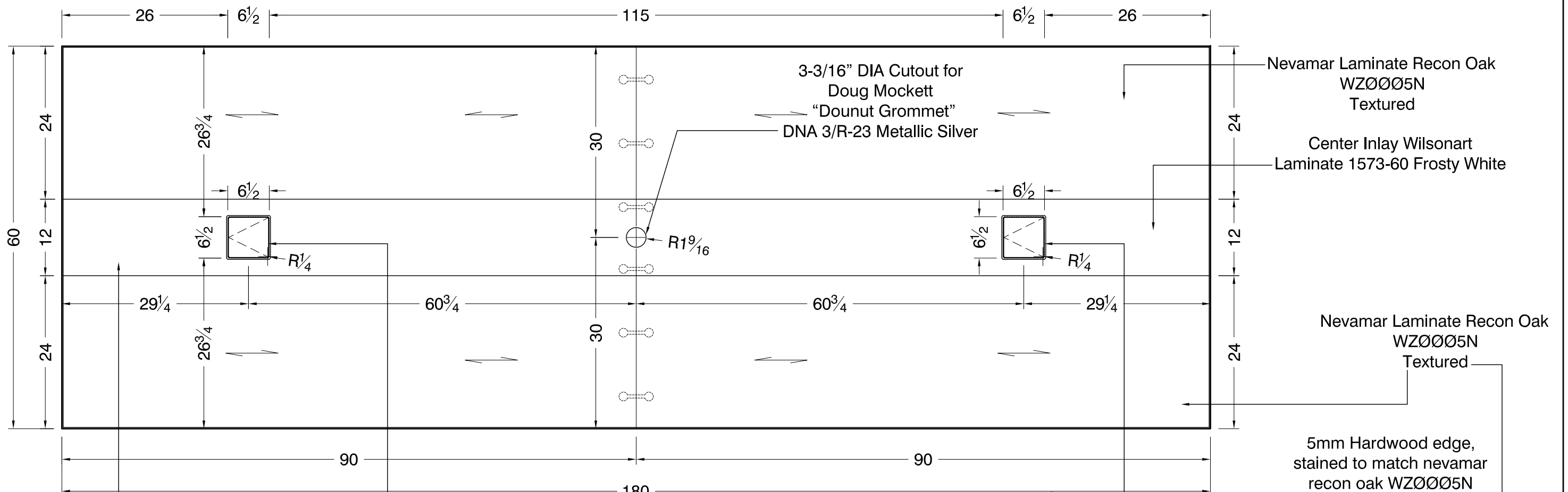


TABLE TOP PLAN

SCALE: 3/4" = 1'- 0"

Center Inlay Wilsonart Laminate 1573-60 Frosty White

Cutout For Cable Cuby 600 6.49"x6.49" With 0.25' Radiused Corner

Cutout For Cable Cuby 600 6.49"x6.49" With 0.25' Radiused Corner

Nevamar Laminate Recon Oak WZ0005N Textured

Center Inlay Wilsonart Laminate 1573-60 Frosty White

Nevamar Laminate Recon Oak WZ0005N Textured

5mm Hardwood edge, stained to match nevarmar recon oak WZ0005N Textured

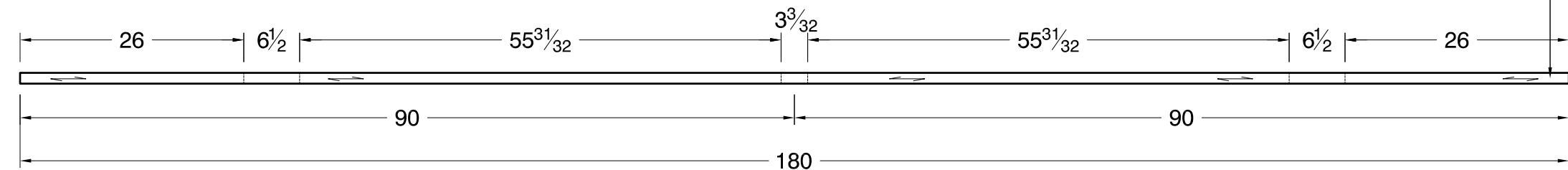
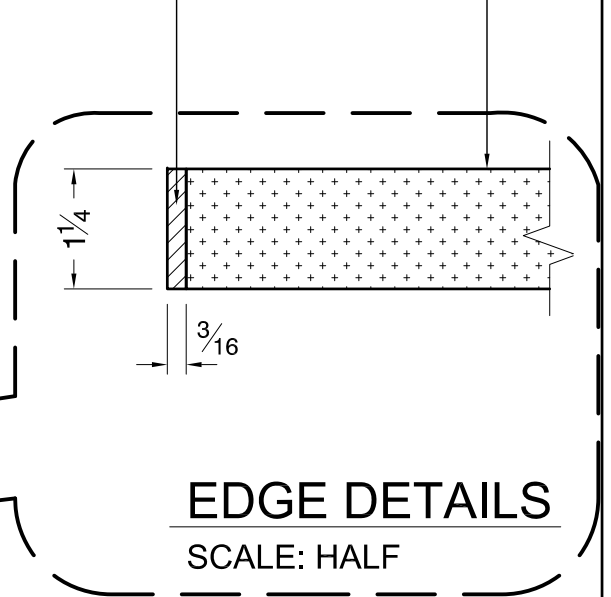


TABLE TOP ELEVATION

SCALE: 3/4" = 1'- 0"



EDGE DETAILS

SCALE: HALF

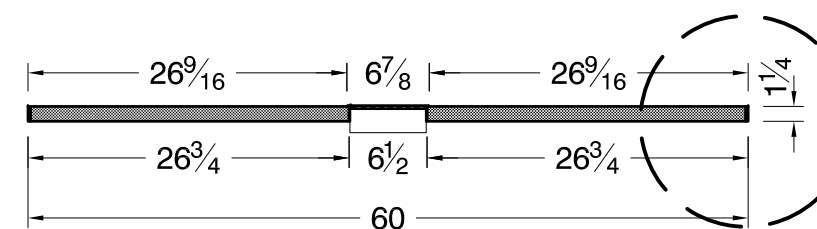


TABLE TOP SECTION

SCALE: 3/4" = 1'- 0"

CLIENT SIGN-OFF:		The designs, drawings and specifications hereby represented are and shall remain the property of DDM. No part thereof shall be used or reproduced for any purpose other than the specified project for which they have been prepared and developed without a written consent of DDM.		DRAWN BY: SC	ISSUE DATE: 06-07-12	3RD ANGLE PROJECTION	dGroup Tailor Made Furniture Solutions	65 Ridge Avenue, St. 100 Bloomfield, NJ 07003 T) 973 866 0289 F) 973 794 2656		
PROJECT: 12917	CLIENT: CONFERENCE TABLE ROOM 1514	CHECKED BY:	REVISION DATE: 06-08-12	REVISION DATE: 08-07-12	REVISION DATE:			TOLERANCES: FRACTIONS = ± 1/32 .XXX = ± .031 .XX = ± .062	PART NAME: Conference Table Top	DWG SIZE: B
W.O. No:	FINISH:	FILE LOCATION:	REVISION DATE:				PART No.:	N/A	R	SHEET 3.05