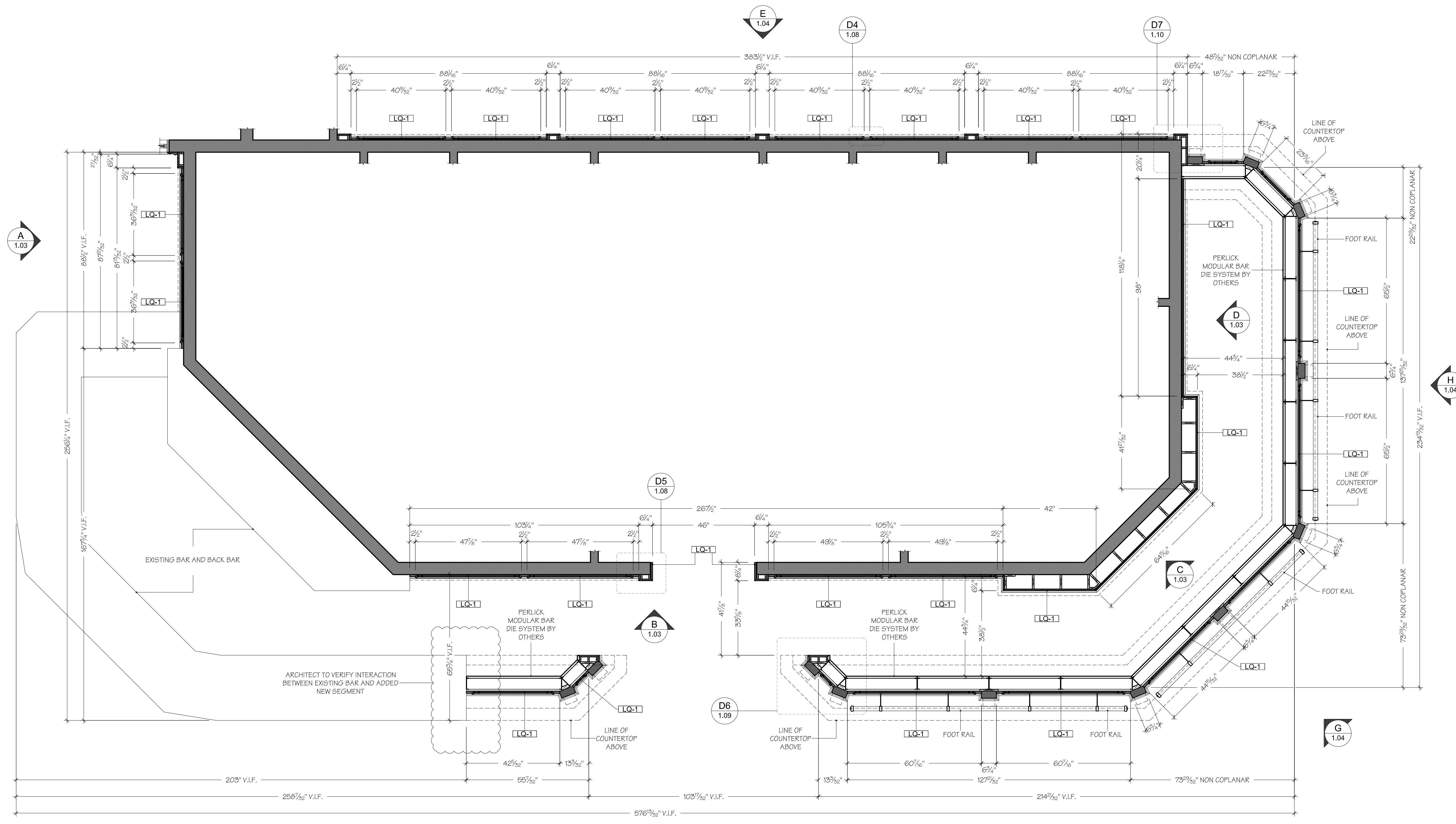
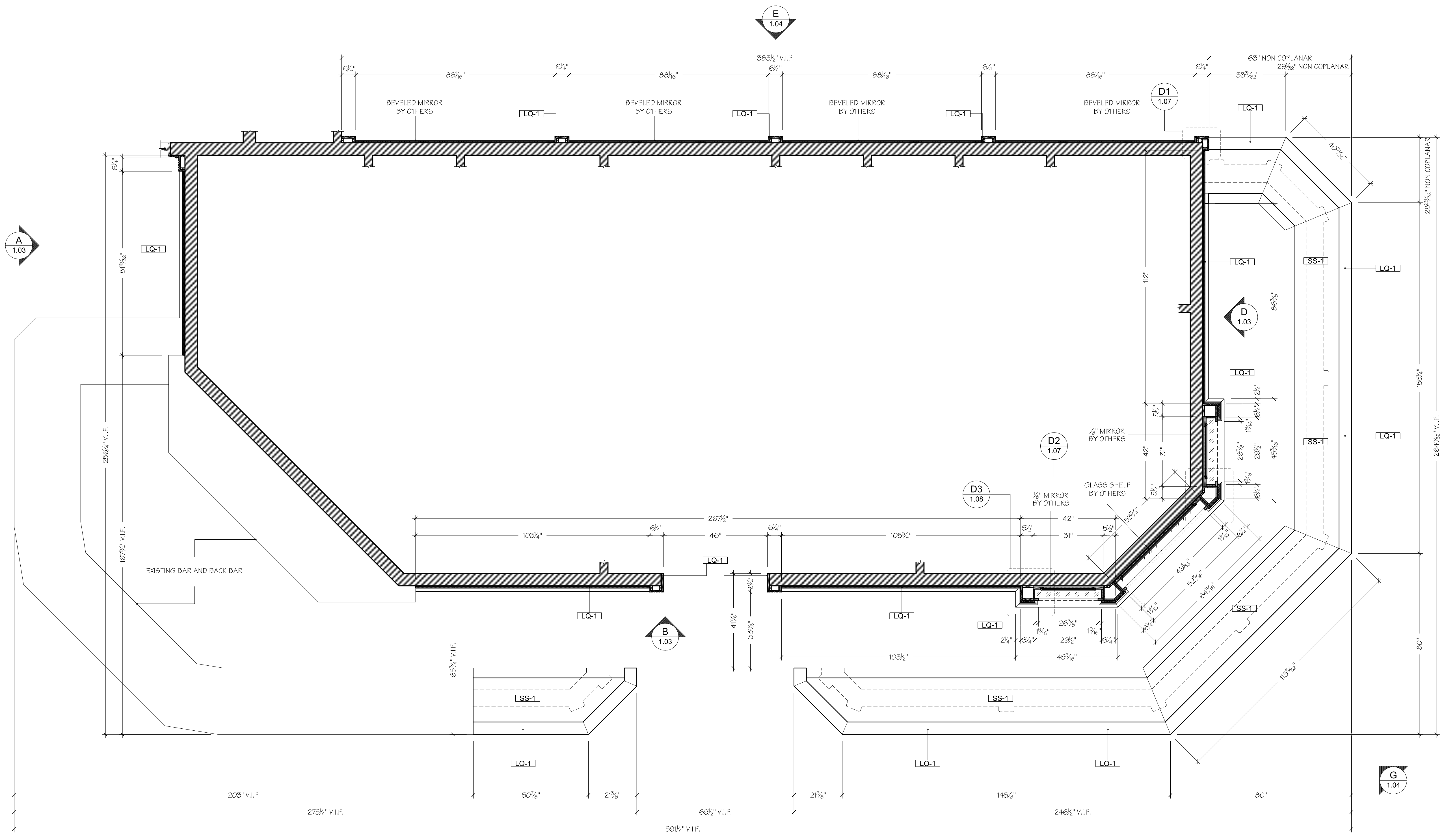


MATERIALS		
LQ-1	LACQUER FINISH, COLOR TO MATCH EXISTING BAR.	
SS-1	SOLID SURFACE, TO MATCH EXISTING BAR.	
WD-3		
WD-4		
WD-5		
WD-6		
WD-7		
HARDWARE		
H-1	KEGWORKS, 2" BAR FOOT RAIL (920-2P), RAIL BRACKET (76913-2), DECORATIVE EXTERNAL END CAP (76909-2), POLISHED BRASS	
H-2	HAFELE GLASS SHELF SUPPORT, 292.24.731	
H-3		
H-4		
H-5		
H-6		
H-7		
FINISHES		
F-1		
F-2		
F-3		
SPECIAL NOTES		
SUBMITTAL		
DATE:	BY:	FOR:
01/12/17	LB	FOR APPROVAL
REVISIONS		
DATE:	BY:	FOR:
PROJECT:		
LION WOODS GOLF & COUNTRY CLUB 123 Lion Drive BLOOMINGDALE, NEW JERSEY 07001		
TITLE:		
BAR		
ARCHITECT:		
SHARP POINT ARCHITECTURE, NY 125 Main Street, Ocean Side, NY 01000		
DESIGNER:		
DRAWN BY: LB	DATE: 01/12/17	PAGE: 1.01
SCALE: AS NOTED	JOB NO: ED-0127-123	

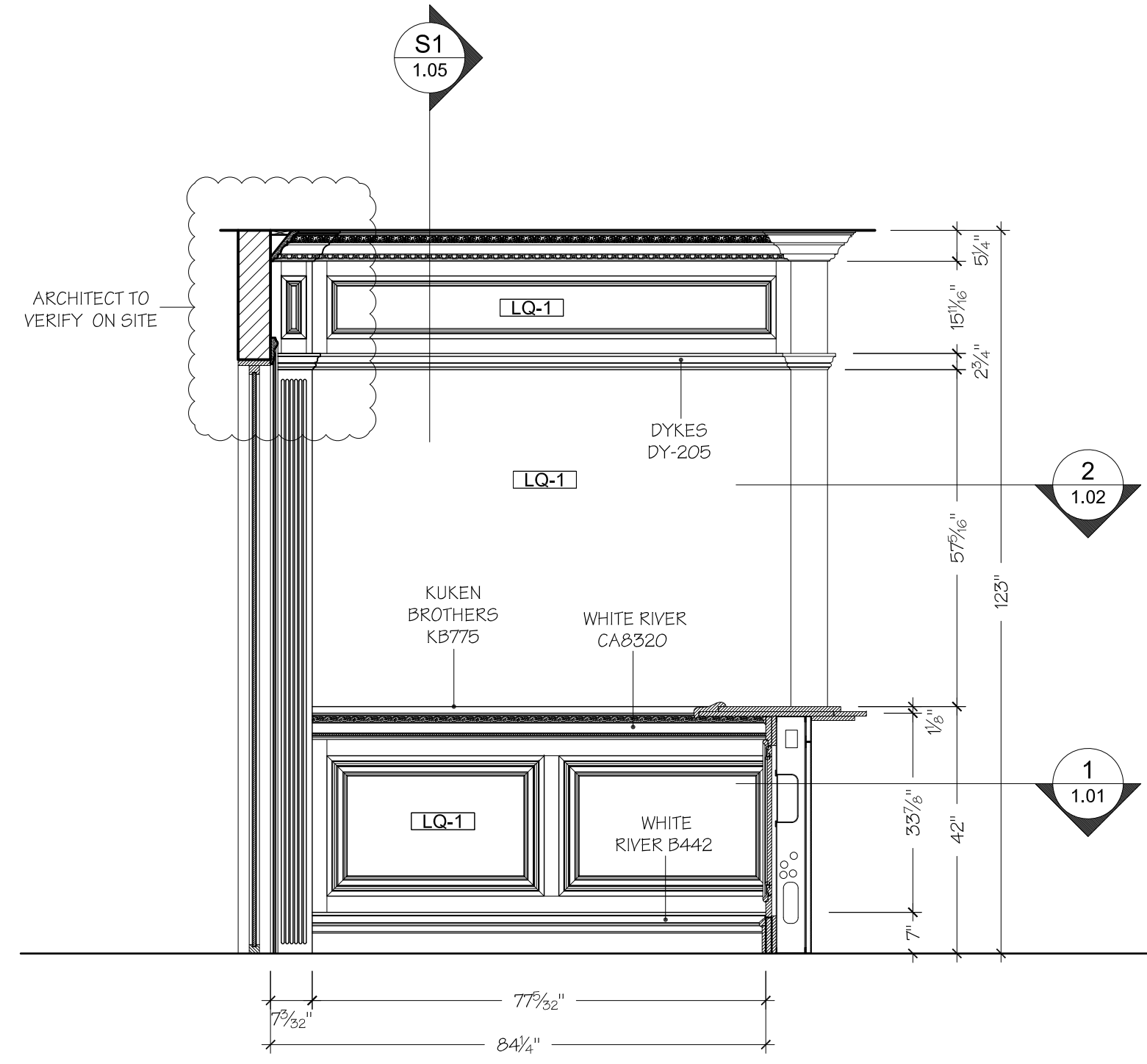


SECTION PLAN  
SCALE: 1/2" = 1'-0" BAR 133

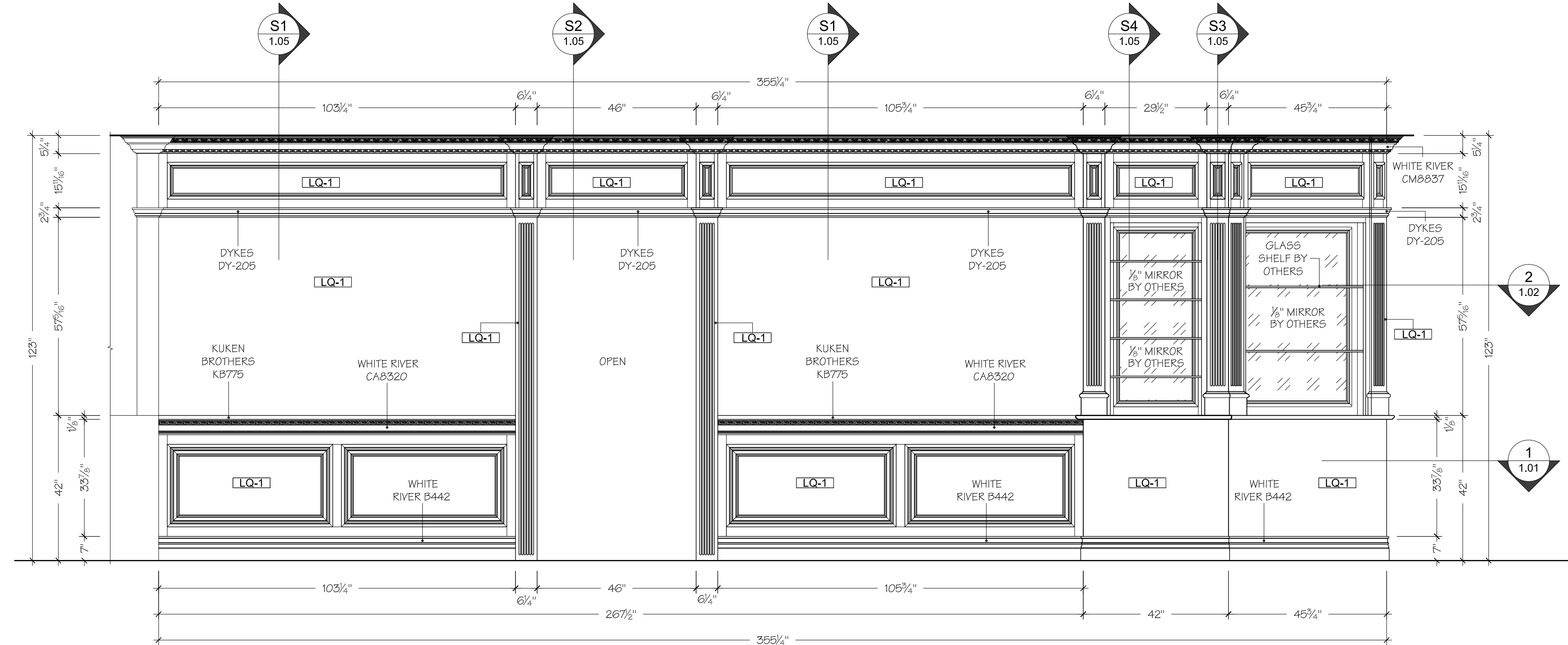


**SECTION PLAN**  
SCALE: 1/2" = 1'-0" BAR 133

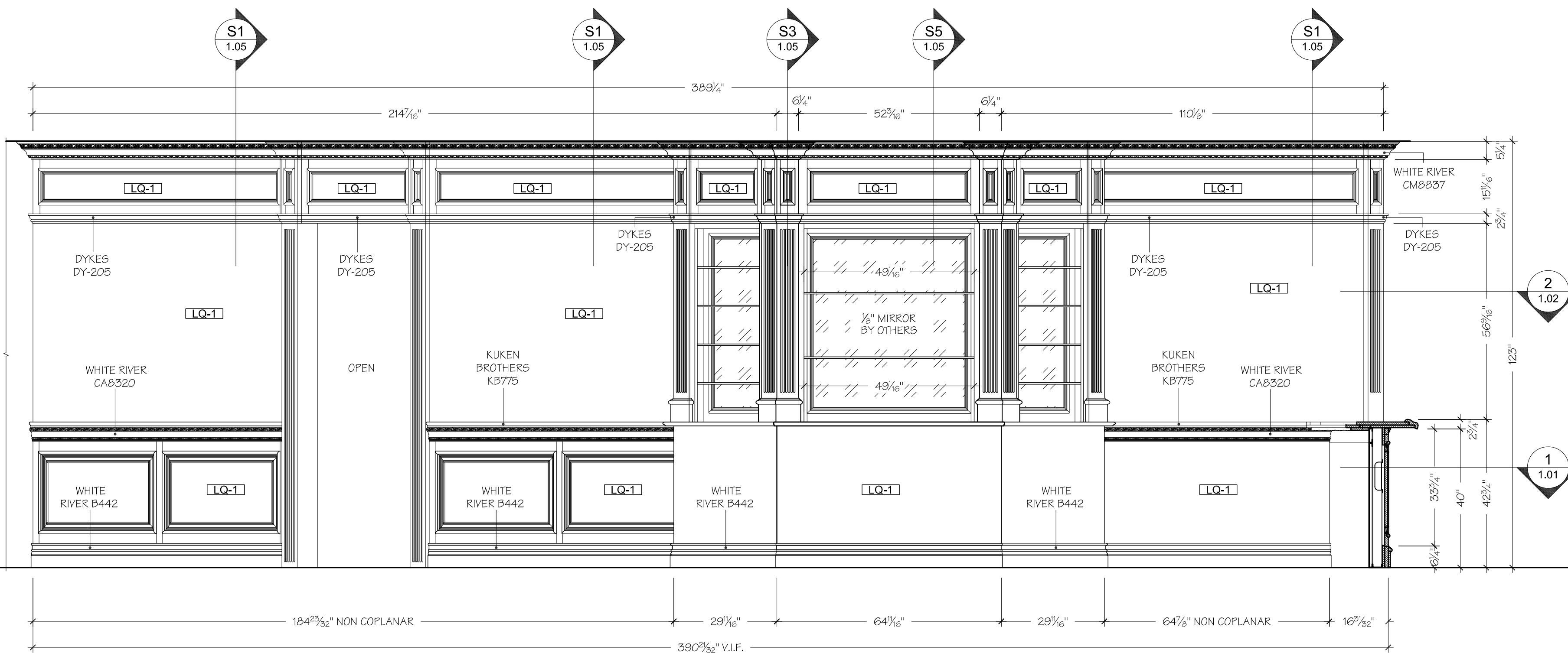
MATERIALS				
LQ-1	LACQUER FINISH, COLOR TO MATCH EXISTING BAR.			
SS-1	SOLID SURFACE, TO MATCH EXISTING BAR.			
WD-3				
WD-4				
WD-5				
WD-6				
WD-7				
HARDWARE				
H-1	KEGWORKS, 2" BAR FOOT RAIL (920-2P), RAIL BRACKET (76913-2), DECORATIVE EXTERNAL END CAP (76909-2), POLISHED BRASS			
H-2	HAFELE GLASS SHELF SUPPORT, 292.24.731			
H-3				
H-4				
H-5				
H-6				
H-7				
FINISHES				
F-1				
F-2				
F-3				
SPECIAL NOTES				
SUBMITTAL				
DATE:	BY:	FOR:		
01/12/17	LB	FOR APPROVAL		
REVISIONS				
DATE:	BY:	FOR:		
PROJECT:				
LION WOODS GOLF & COUNTRY CLUB 123 Lion Drive BLOOMINGDALE, NEW JERSEY 07001				
TITLE:				
BAR				
ARCHITECT:				
SHARP POINT ARCHITECTURE, NY 123 Main Street, Ocean Side, NY 01000				
DESIGNER:				
DRAWN BY:				
LB	DATE:	01/12/17	PAGE:	
SCALE:	AS NOTED	JOB NO:	ED-0127-123	1.02



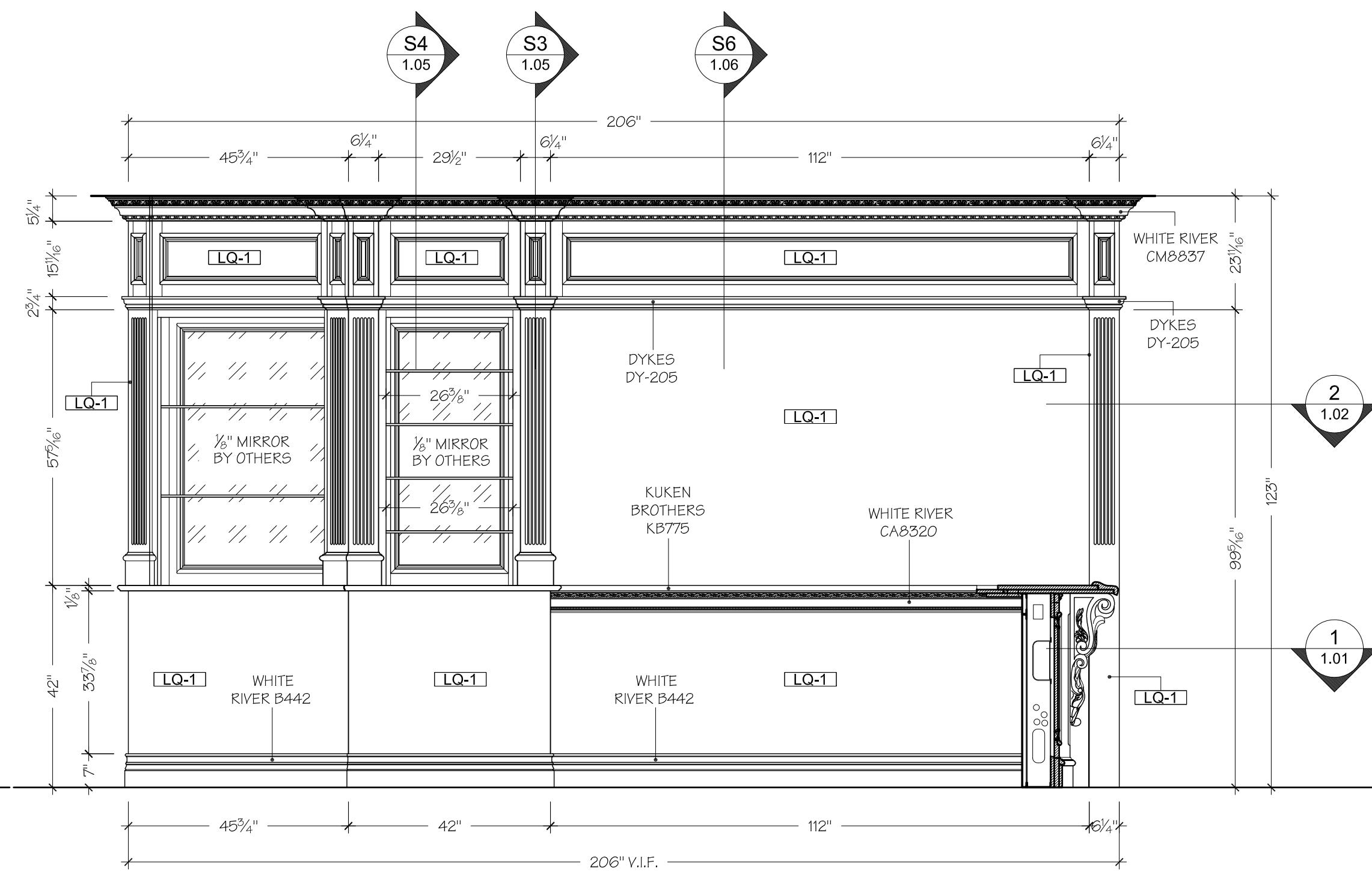
**A ELEVATION**  
SCALE: 1/2" = 1'-0" BAR 133



**B ELEVATION**  
SCALE: 1/2" = 1'-0" BAR 133



**C ELEVATION**  
SCALE: 1/2" = 1'-0" BAR 133



**D ELEVATION**  
SCALE: 1/2" = 1'-0" BAR 133

**MATERIALS**

LQ-1	LACQUER FINISH, COLOR TO MATCH EXISTING BAR.
SS-1	SOLID SURFACE, TO MATCH EXISTING BAR.
WD-3	
WD-4	
WD-5	
WD-6	
WD-7	

**HARDWARE**

H-1	KEGWORKS, 2" BAR FOOT RAIL (920-2P), RAIL BRACKET (76913-2), DECORATIVE EXTERNAL END CAP (76909-2), POLISHED BRASS
H-2	HAFELE GLASS SHELF SUPPORT, 292.24.731
H-3	
H-4	
H-5	
H-6	
H-7	

**FINISHES**

F-1	
F-2	
F-3	

**SPECIAL NOTES**

**SUBMITTAL**

DATE:	BY:	FOR:
01/12/17	LB	FOR APPROVAL

**REVISIONS**

DATE:	BY:	FOR:

**PROJECT:**

**LION WOODS GOLF & COUNTRY CLUB**  
125 Lion Drive  
BLOOMINGDALE, NEW JERSEY 07001

**TITLE:** BAR

**ARCHITECT:** SHARP POINT ARCHITECTURE, NY  
125 Main Street, Ocean Side, NY 01000

**DESIGNER:**

### MATERIALS

LQ-1 LACQUER FINISH, COLOR TO MATCH EXISTING BAR.

SS-1 SOLID SURFACE, TO MATCH EXISTING BAR.

WD-3

WD-4

WD-5

WD-6

WD-7

### HARDWARE

H-1 KEGWORKS, 2" BAR FOOT RAIL (920-2P), RAIL BRACKET (76913-2), DECORATIVE EXTERNAL END CAP (76909-2), POLISHED BRASS

H-2 HAFELE GLASS SHELF SUPPORT, 292.24.731

H-3

H-4

H-5

H-6

H-7

### FINISHES

F-1

F-2

F-3

### SPECIAL NOTES

### SUBMITTAL

DATE: 01/12/17 BY: LB FOR: FOR APPROVAL

### REVISIONS

DATE: BY: FOR:

### PROJECT:

LION WOODS GOLF & COUNTRY CLUB  
123 Lion Drive  
BLOOMINGDALE, NEW JERSEY 07001

### TITLE:

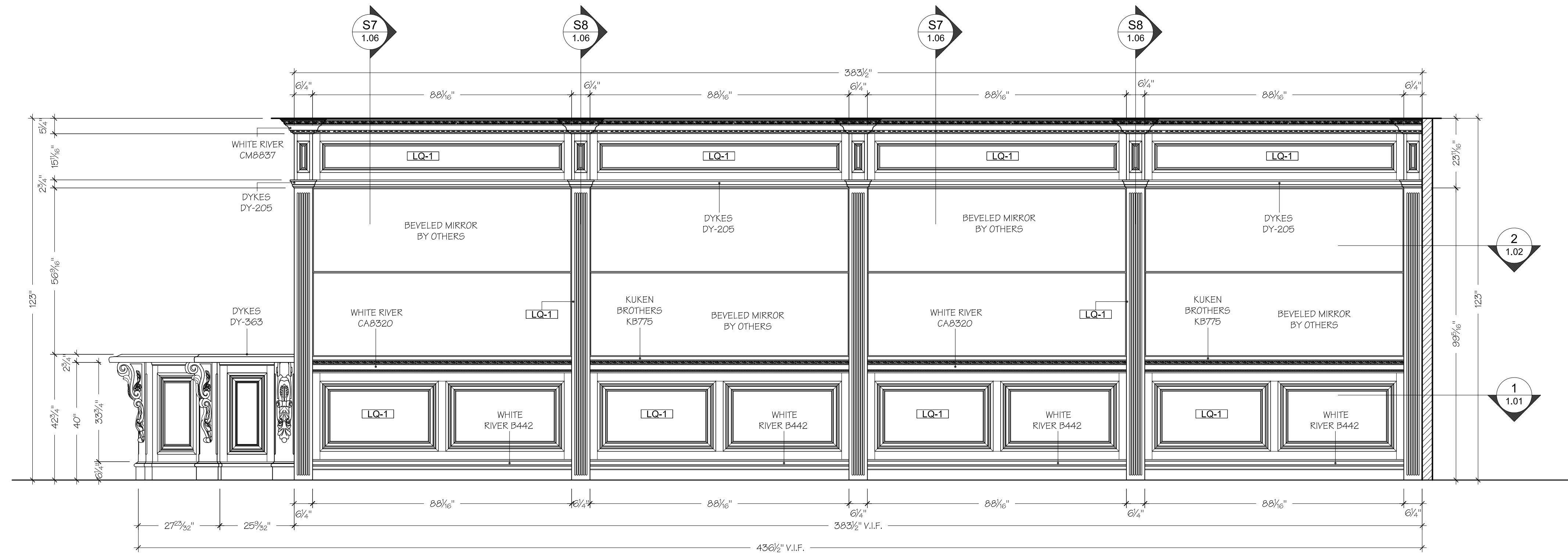
BAR

### ARCHITECT:

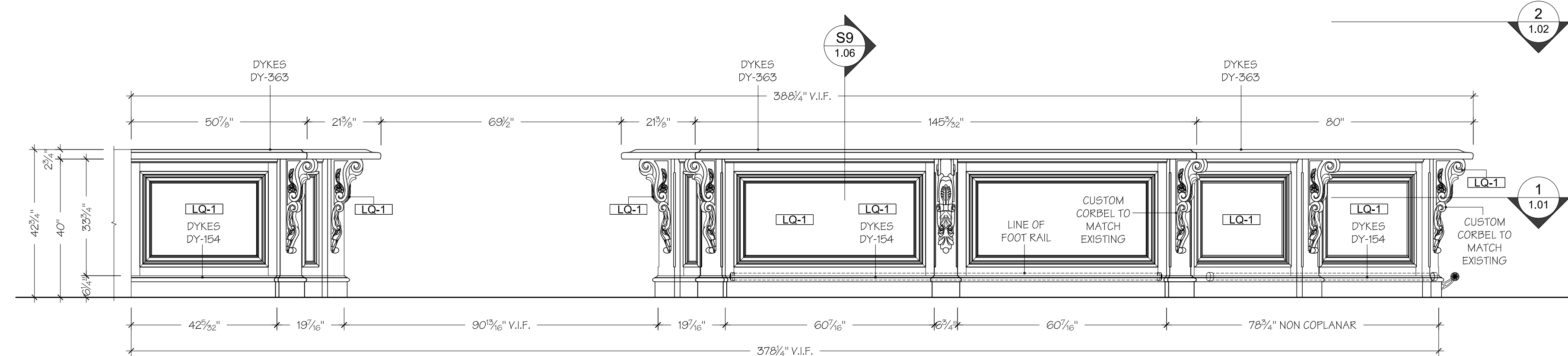
SHARP POINT ARCHITECTURE, NY  
125 Main Street, Ocean Side, NY 01000

### DESIGNER:

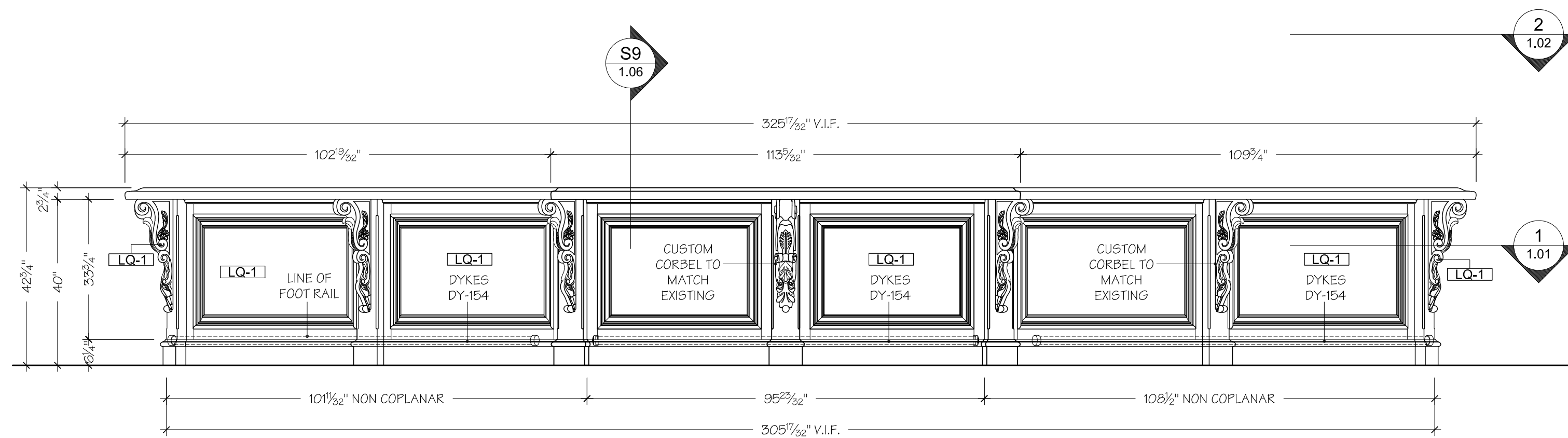
DRAWN BY: LB DATE: 01/12/17 PAGE:  
SCALE: AS NOTED JOB NO: ED-0127-123 1.04



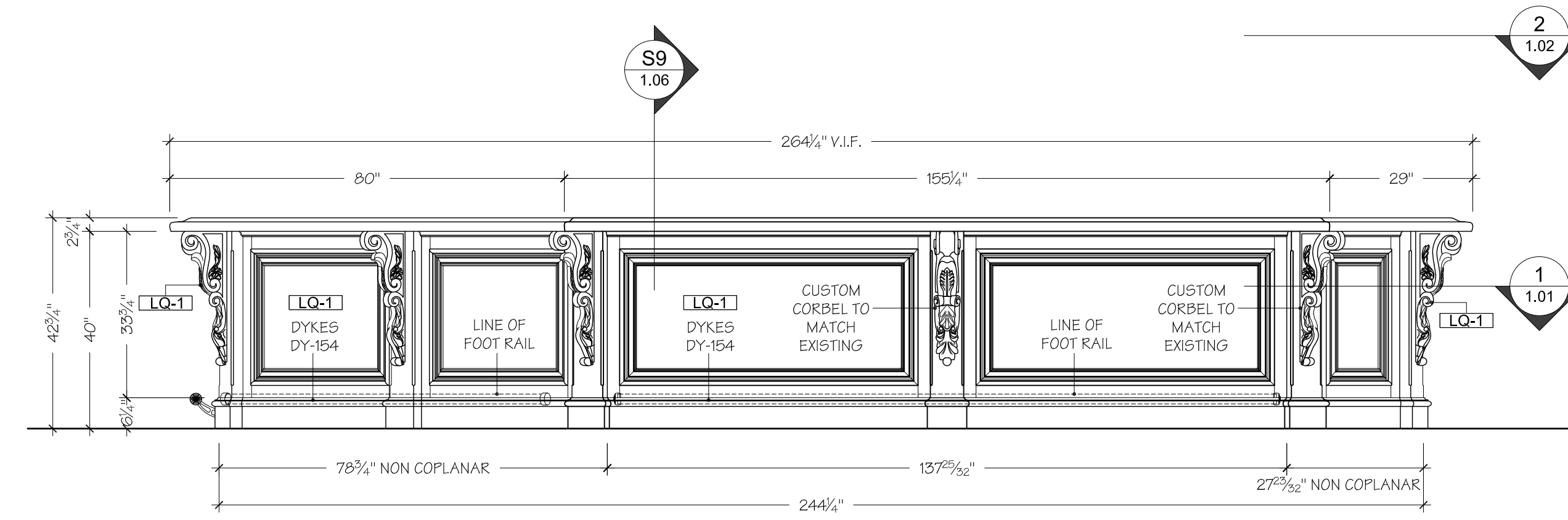
**E ELEVATION**  
SCALE: 1/2" = 1'-0" BAR 133



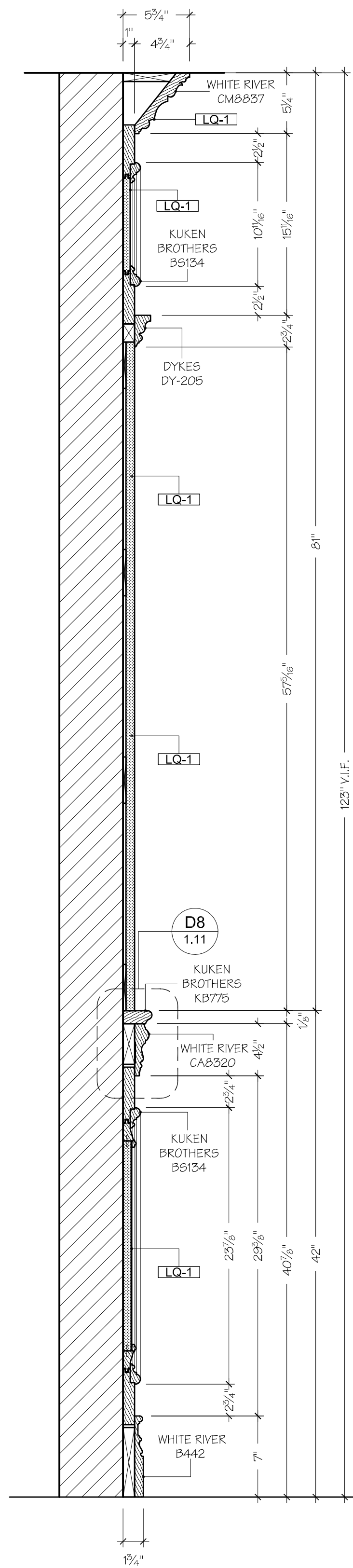
**F ELEVATION**  
SCALE: 1/2" = 1'-0" BAR 133



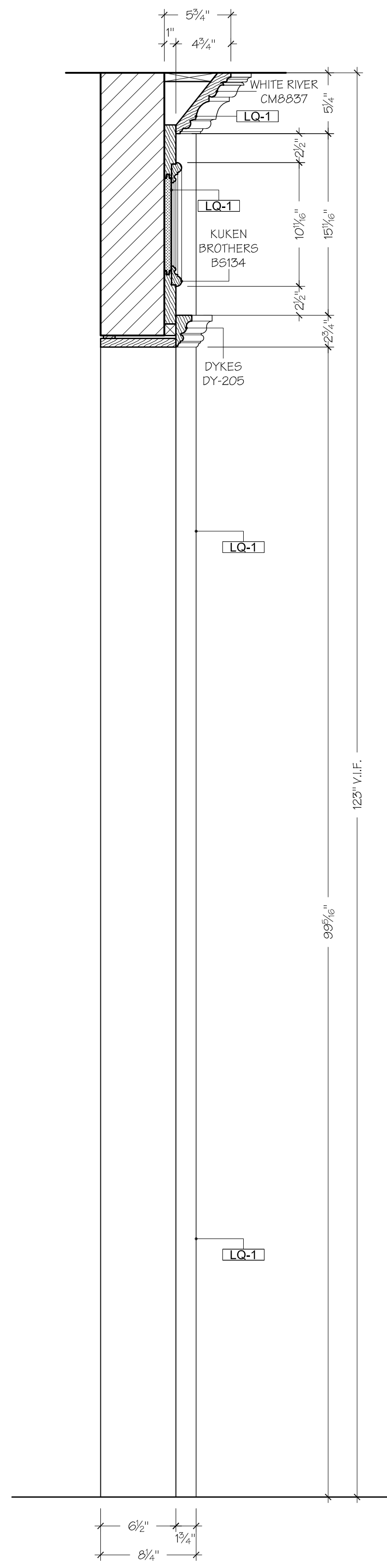
**G ELEVATION**  
SCALE: 1/2" = 1'-0" BAR 133



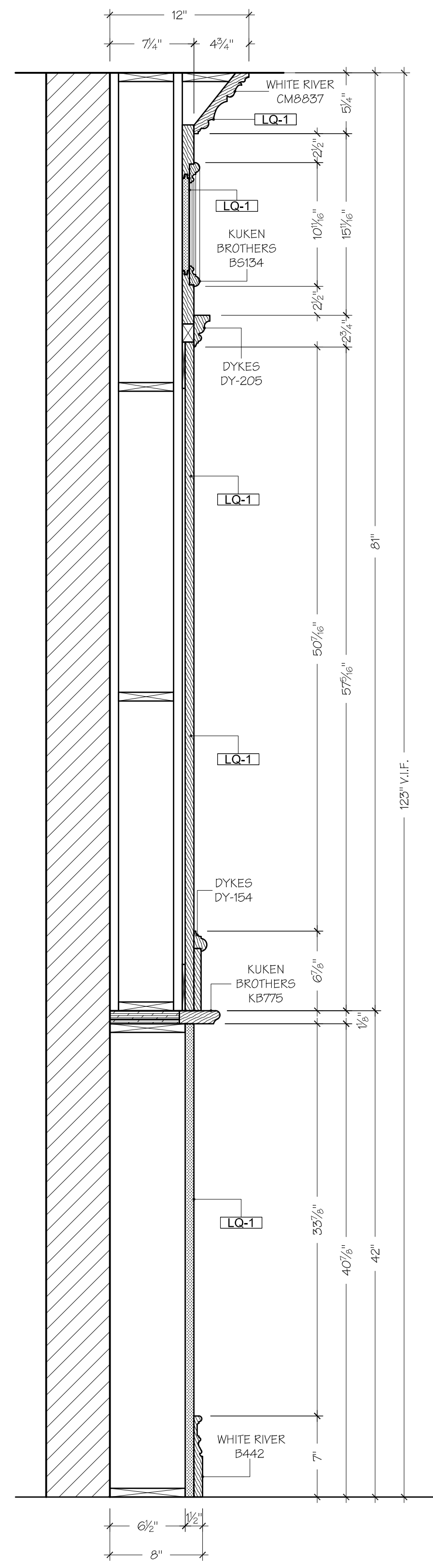
**H ELEVATION**  
SCALE: 1/2" = 1'-0" BAR 133



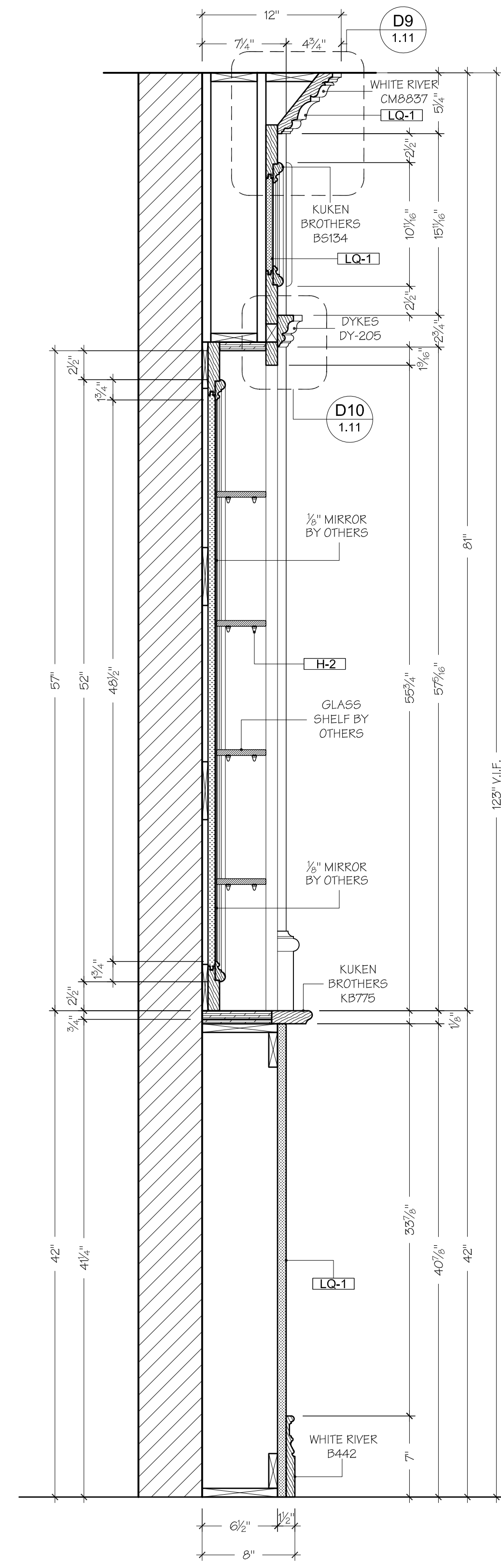
**S1 SECTION**  
SCALE: 1-1/2" = 1'-0" BAR 133



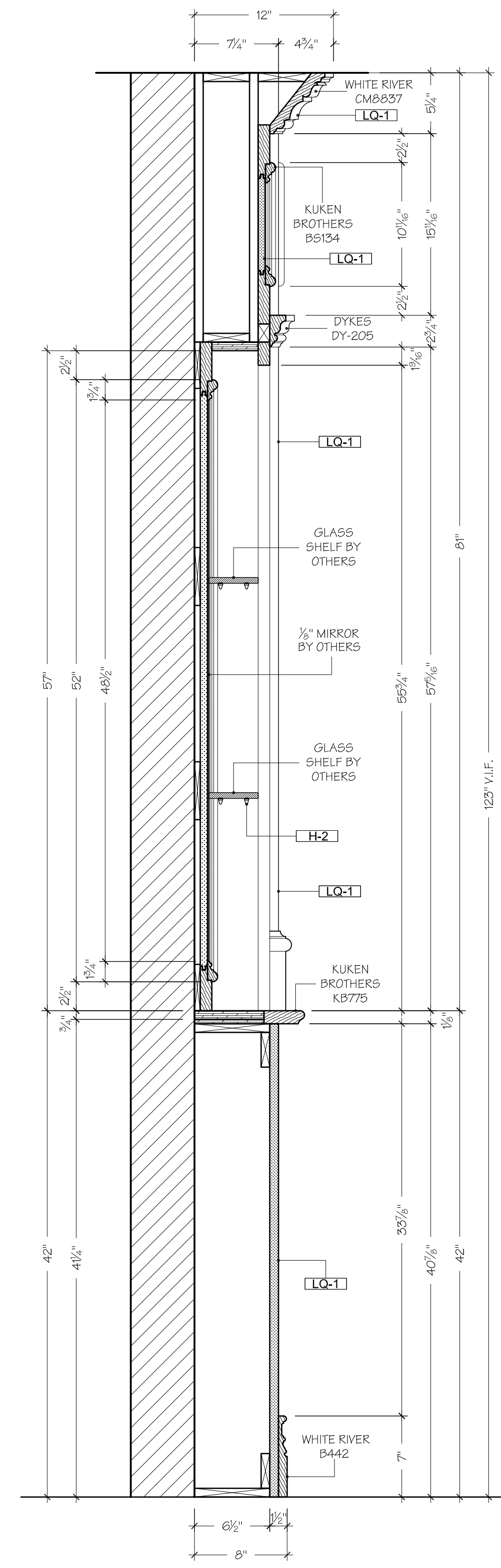
**S2 SECTION**  
SCALE: 1-1/2" = 1'-0" BAR 133



**S3 SECTION**  
SCALE: 1-1/2" = 1'-0" BAR 133



**S4 SECTION**  
SCALE: 1-1/2" = 1'-0" BAR 133



**S5 SECTION**  
SCALE: 1-1/2" = 1'-0" BAR 133

MATERIALS	
LQ-1	LACQUER FINISH, COLOR TO MATCH EXISTING BAR.
SS-1	SOLID SURFACE, TO MATCH EXISTING BAR.
WD-3	
WD-4	
WD-5	
WD-6	
WD-7	

HARDWARE	
H-1	KEGWORKS, 2" BAR FOOT RAIL (920-2P), RAIL BRACKET (76913-2), DECORATIVE EXTERNAL END CAP (76909-2), POLISHED BRASS
H-2	HAFFLE GLASS SHELF SUPPORT, 292.24.731
H-3	
H-4	
H-5	
H-6	
H-7	

FINISHES	
F-1	
F-2	
F-3	

**SPECIAL NOTES**

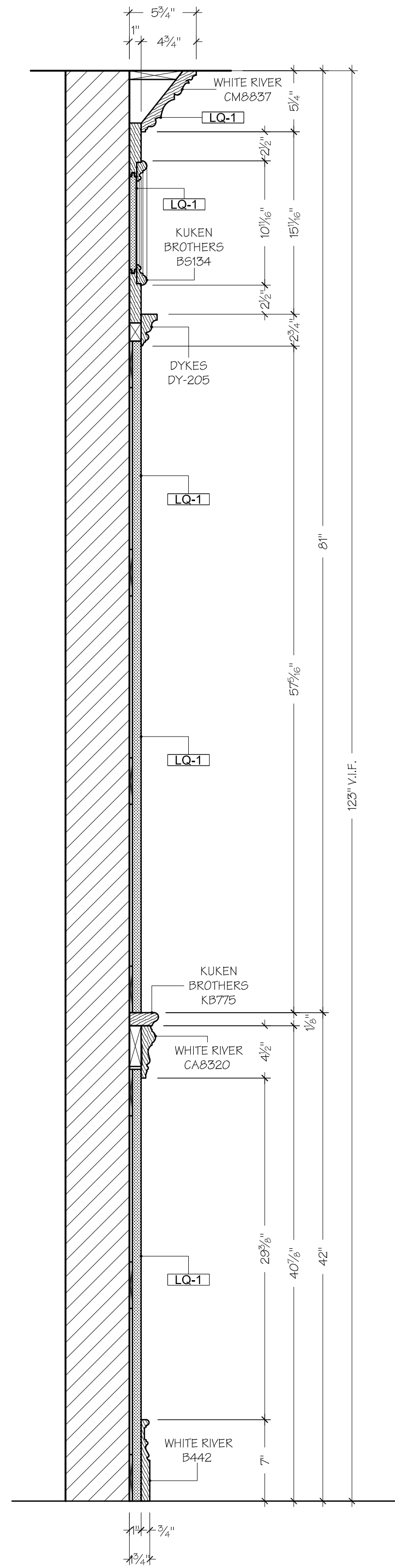
SUBMITTAL	
DATE:	BY: FOR:
01/12/17	LB FOR APPROVAL

REVISIONS	
DATE:	BY: FOR:

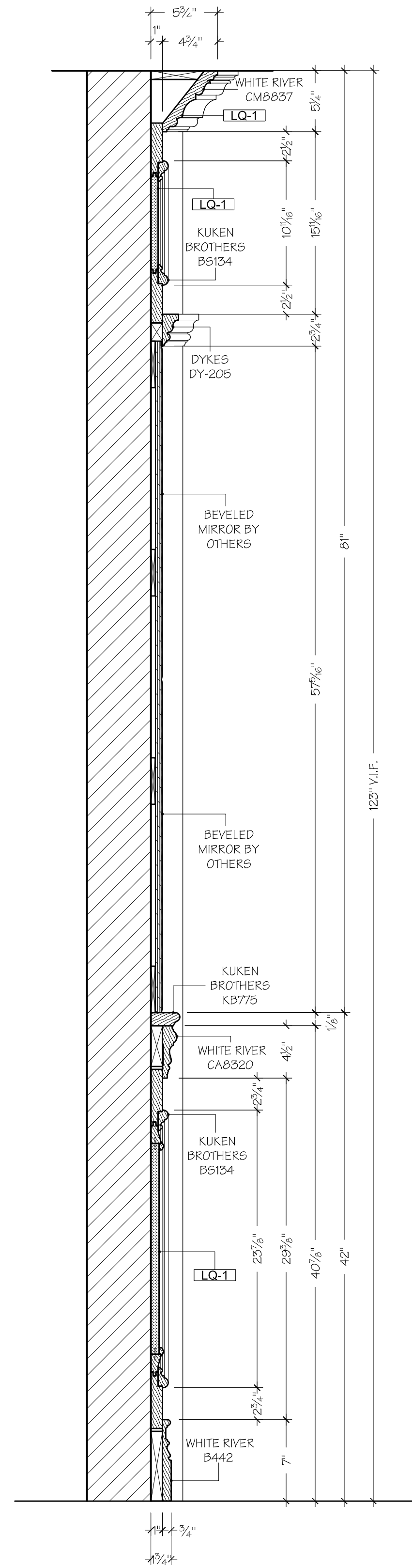
**PROJECT:**  
**LION WOODS GOLF & COUNTRY CLUB**  
123 Lion Drive  
BLOOMINGDALE, NEW JERSEY 07001

**TITLE:** BAR  
**ARCHITECT:** SHARP POINT ARCHITECTURE, NY  
123 Main Street, Ocean Side, NY 01000

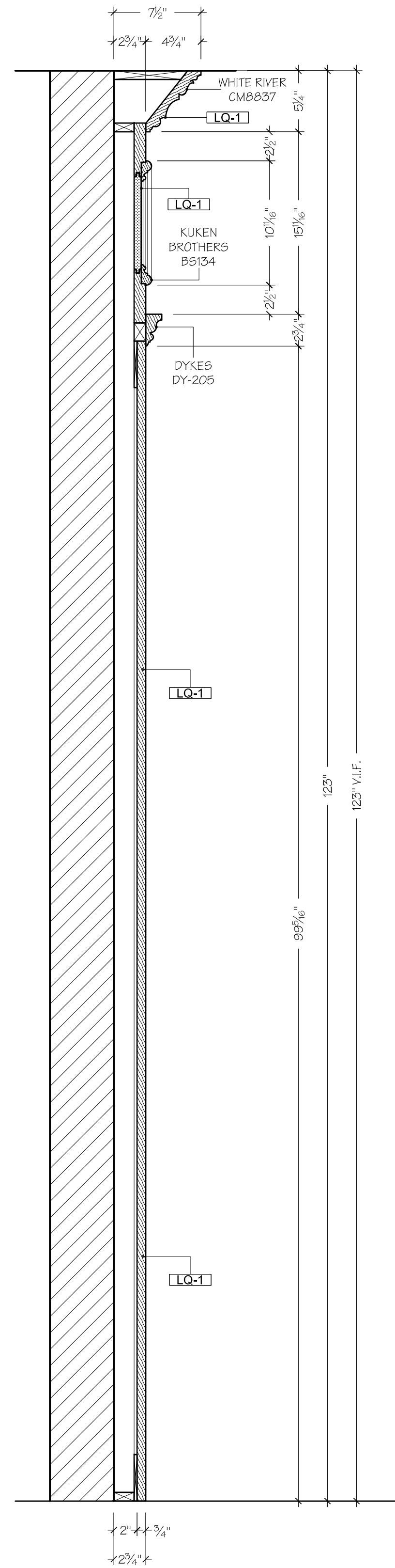
**DESIGNER:**



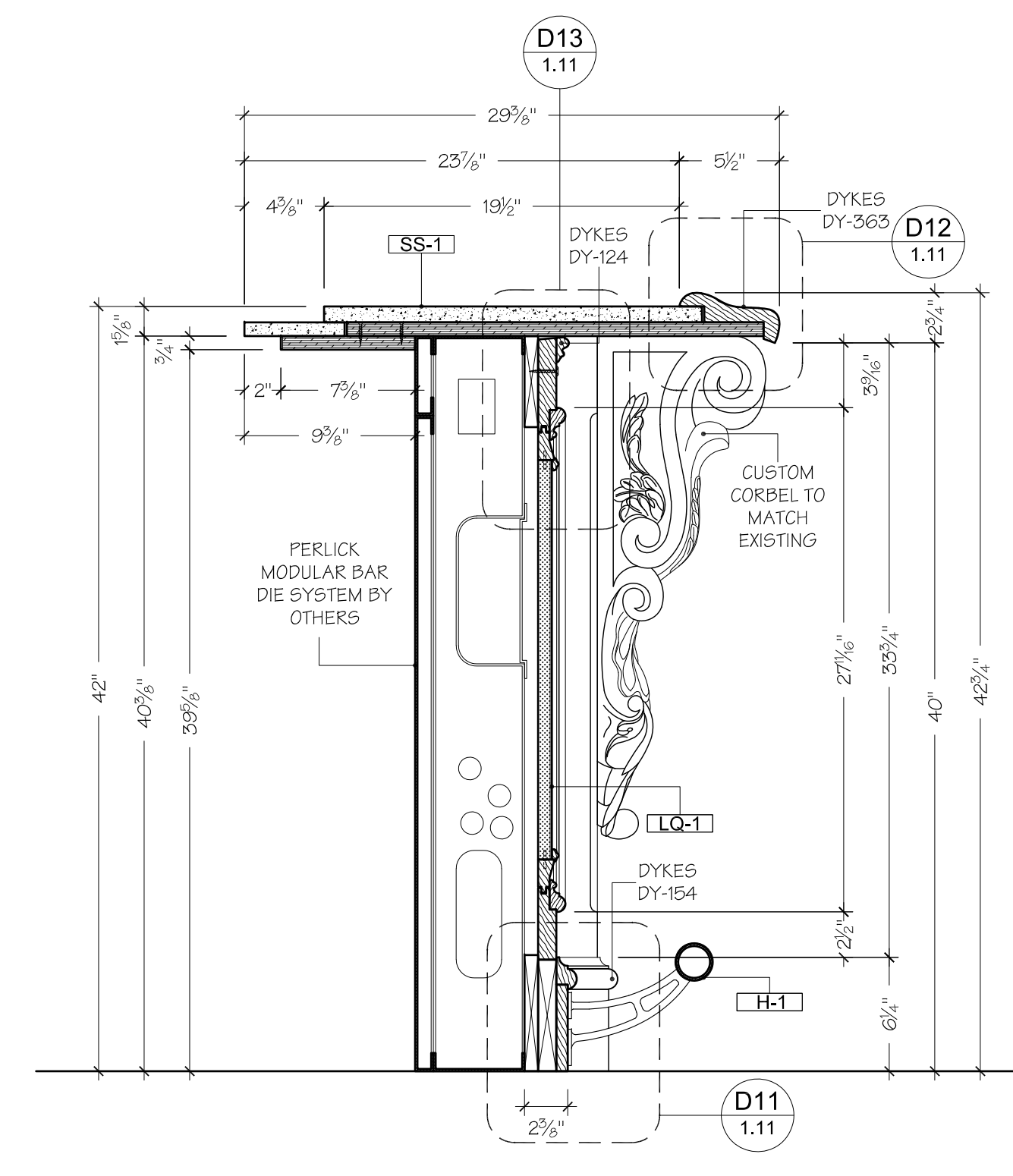
S6 SECTION  
SCALE: 1-1/2" = 1'- 0" BAR 133



S7 SECTION  
SCALE: 1-1/2" = 1'- 0" BAR 133



S8 SECTION  
SCALE: 1-1/2" = 1'- 0" BAR 133



S9 SECTION  
SCALE: 1-1/2" = 1'- 0" BAR 133

MATERIALS	
LQ-1	LACQUER FINISH, COLOR TO MATCH EXISTING BAR.
SS-1	SOLID SURFACE, TO MATCH EXISTING BAR.
WD-3	
WD-4	
WD-5	
WD-6	
WD-7	

HARDWARE	
H-1	KEGWORKS, 2" BAR FOOT RAIL (920-2P), RAIL BRACKET (76913-2), DECORATIVE EXTERNAL END CAP (76909-2), POLISHED BRASS
H-2	HAFELE GLASS SHELF SUPPORT, 292.24.731
H-3	
H-4	
H-5	
H-6	
H-7	

FINISHES	
F-1	
F-2	
F-3	

SPECIAL NOTES	

SUBMITTAL	
DATE:	BY:

REVISIONS	
DATE:	BY:

PROJECT:

LION WOODS GOLF & COUNTRY CLUB  
123 Lion Drive  
BLOOMINGDALE, NEW JERSEY 07001

TITLE: BAR

ARCHITECT:  
SHARP POINT ARCHITECTURE, NY  
123 Main Street, Ocean Side, NY 01000

DESIGNER:

DRAWN BY:	LB	DATE:	01/12/17	PAGE:
SCALE:	AS NOTED	JOB NO:	ED-0127-123	1.06

### MATERIALS

**LQ-1** LACQUER FINISH, COLOR TO MATCH EXISTING BAR.

**SS-1** SOLID SURFACE, TO MATCH EXISTING BAR.

**WD-3**

**WD-4**

**WD-5**

**WD-6**

**WD-7**

### HARDWARE

**H-1** KEGWORKS, 2" BAR FOOT RAIL (920-2P), RAIL BRACKET (76913-2), DECORATIVE EXTERNAL END CAP (76909-2), POLISHED BRASS

**H-2** HAFELE GLASS SHELF SUPPORT, 292.24.731

**H-3**

**H-4**

**H-5**

**H-6**

**H-7**

### FINISHES

**F-1**

**F-2**

**F-3**

### SPECIAL NOTES

### SUBMITTAL

DATE: 01/12/17 BY: LB FOR APPROVAL

### REVISIONS

DATE: BY: FOR:

### PROJECT:

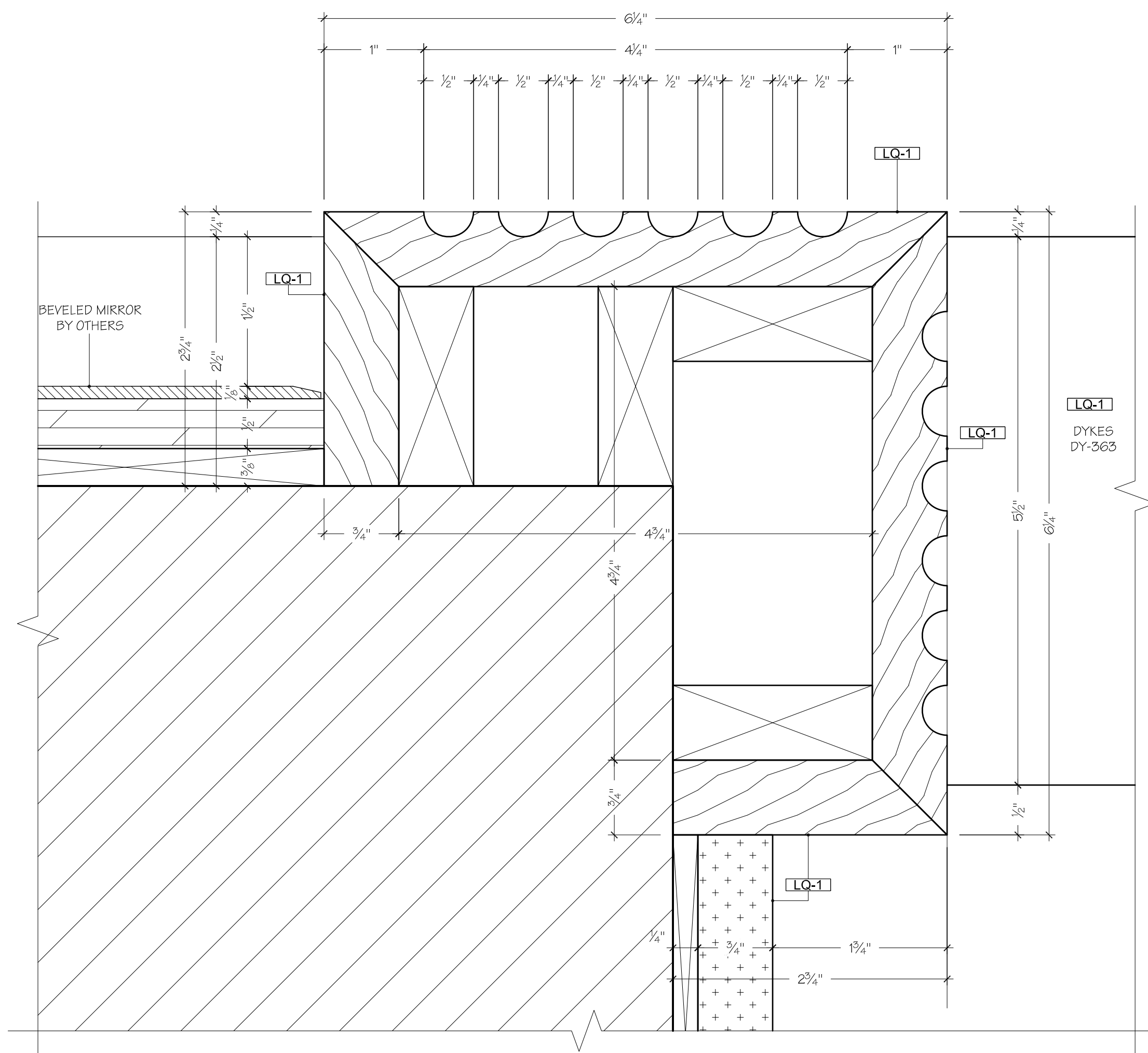
**LION WOODS GOLF & COUNTRY CLUB**  
125 Lion Drive  
BLOOMINGDALE, NEW JERSEY 07001

TITLE: BAR

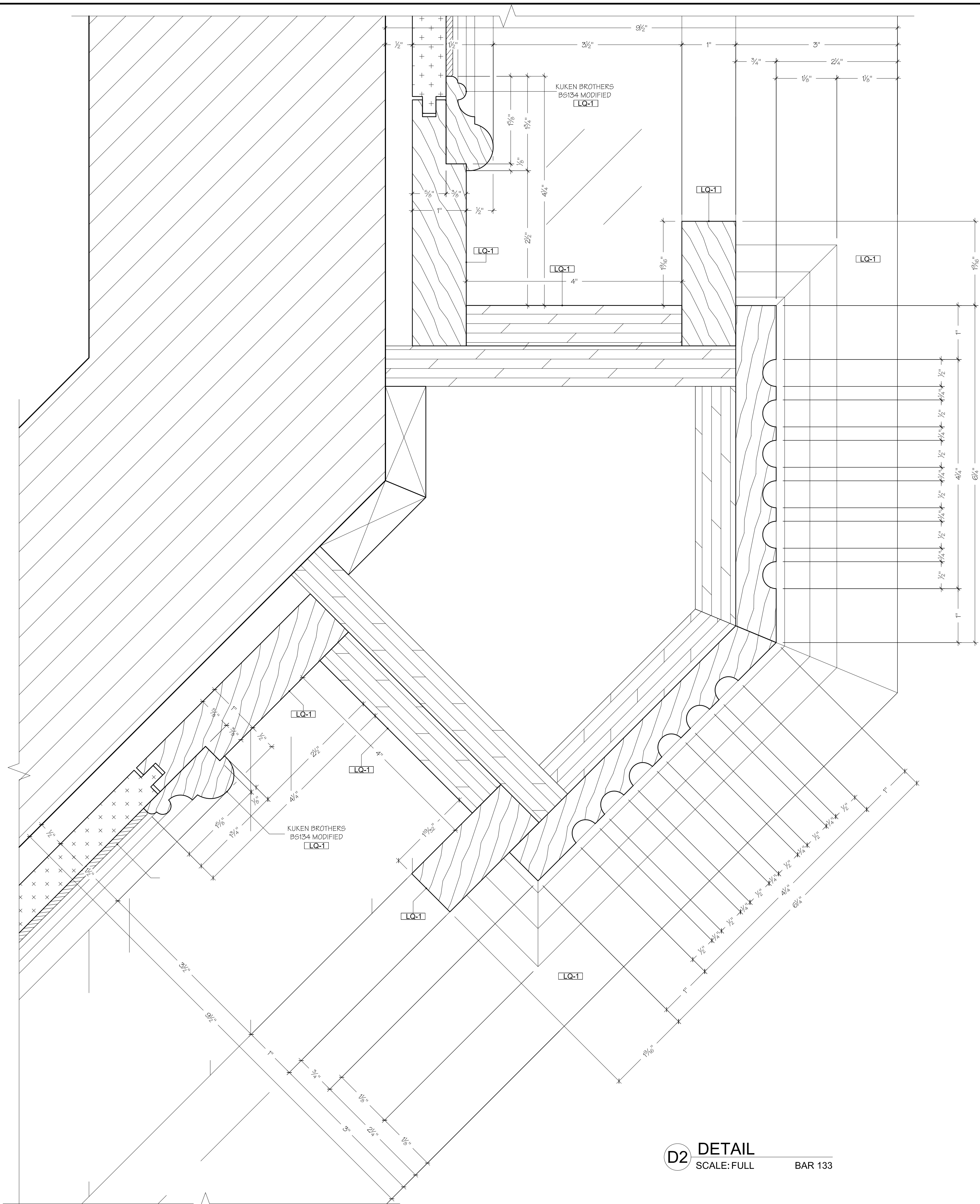
ARCHITECT: SHARP POINT ARCHITECTURE, NY  
125 Main Street, Ocean Side, NY 01000

DESIGNER:

DRAWN BY: LB DATE: 01/12/17 PAGE:  
SCALE: AS NOTED JOB NO: ED-0127-123 1.07



**D1** DETAIL  
SCALE: FULL BAR 133



**D2** DETAIL  
SCALE: FULL BAR 133

**MATERIALS**

**LQ-1** LACQUER FINISH, COLOR TO MATCH EXISTING BAR.

**SS-1** SOLID SURFACE, TO MATCH EXISTING BAR.

**WD-3**

**WD-4**

**WD-5**

**WD-6**

**WD-7**

**HARDWARE**

**H-1** KEGWORKS, 2" BAR FOOT RAIL (920-2P), RAIL BRACKET (76913-2), DECORATIVE EXTERNAL END CAP (76909-2), POLISHED BRASS

**H-2** HAFLE GLASS SHELF SUPPORT, 292.24.731

**H-3**

**H-4**

**H-5**

**H-6**

**H-7**

**FINISHES**

**F-1**

**F-2**

**F-3**

**SPECIAL NOTES**

**SUBMITTAL**

DATE: 01/12/17 BY: LB FOR: FOR APPROVAL

**REVISIONS**

DATE: BY: FOR:

**PROJECT:**

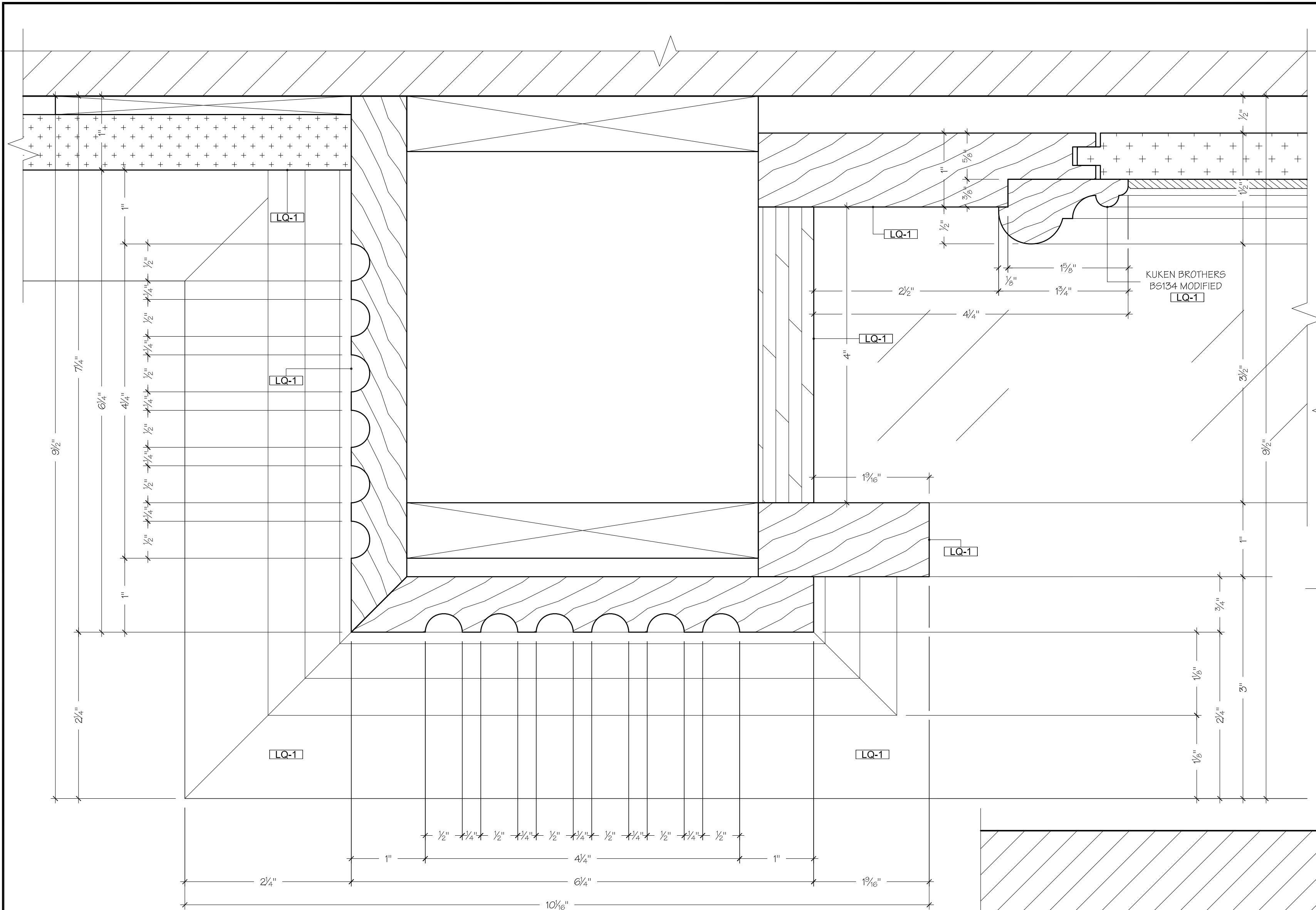
**LION WOODS GOLF & COUNTRY CLUB**  
123 Lion Drive  
BLOOMINGDALE, NEW JERSEY 07001

**TITLE:** BAR

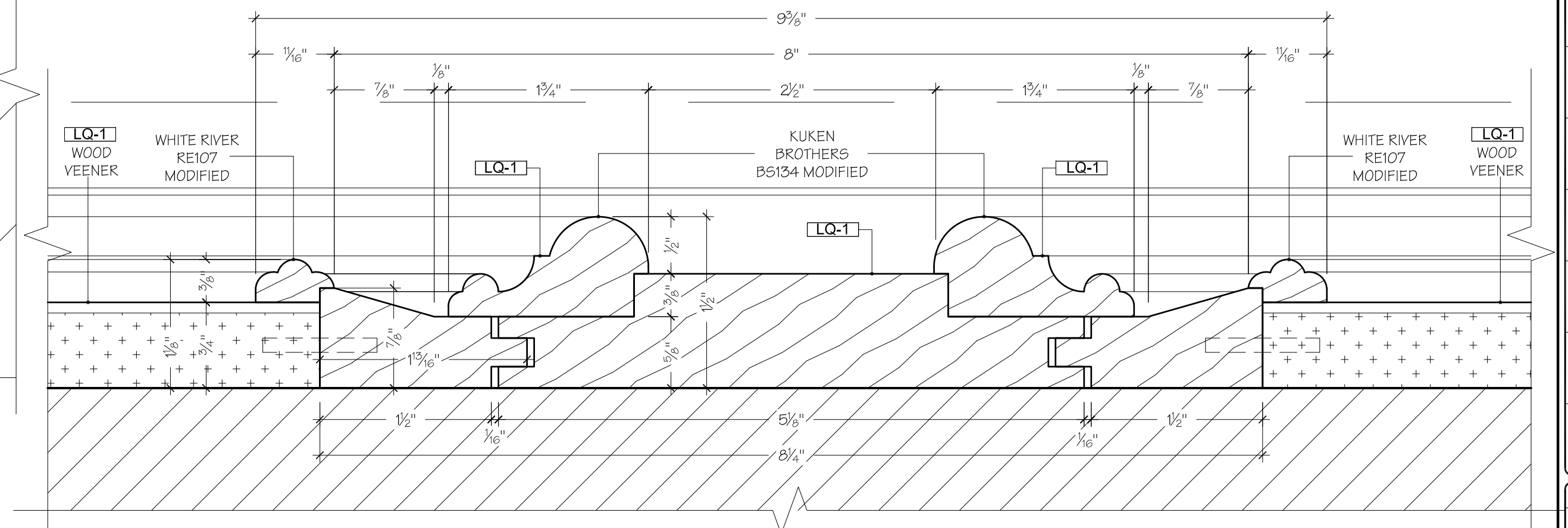
**ARCHITECT:** SHARP POINT ARCHITECTURE, NY  
125 Main Street, Ocean Side, NY 01000

**DESIGNER:**

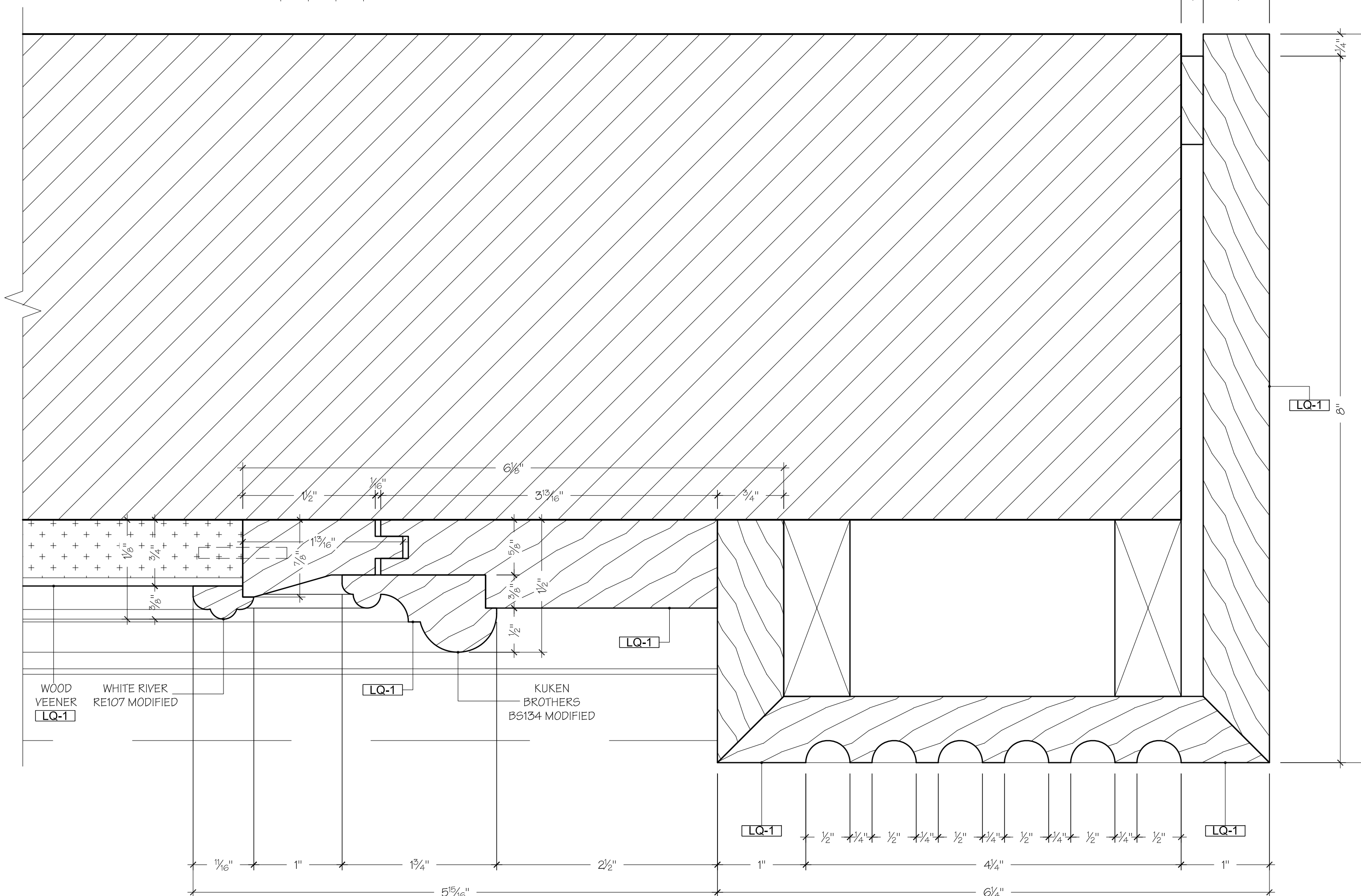
DRAWN BY: LB DATE: 01/12/17 PAGE:  
SCALE: AS NOTED JOB NO: ED-0127-123 1.08



**D3** DETAIL  
SCALE: FULL BAR 133



**D4** DETAIL  
SCALE: FULL BAR 133



**D5** DETAIL  
SCALE: FULL BAR 133





**DRAFTING DESIGN**

65 RIDGE AVE. BLOOMFIELD, NJ 07003  
TEL: 973.866.0289 FAX: 973.794.2656

**MATERIALS**

**LQ-1** LACQUER FINISH, COLOR TO MATCH EXISTING BAR.

**SS-1** SOLID SURFACE, TO MATCH EXISTING BAR.

**WD-3**

**WD-4**

**WD-5**

**WD-6**

**WD-7**

**HARDWARE**

**H-1** KEGWORKS, 2" BAR FOOT RAIL (920-2P), RAIL BRACKET (76913-2), DECORATIVE EXTERNAL END CAP (76909-2), POLISHED BRASS

**H-2** HAFELE GLASS SHELF SUPPORT, 292.24.731

**H-3**

**H-4**

**H-5**

**H-6**

**H-7**

**FINISHES**

**F-1**

**F-2**

**F-3**

**SPECIAL NOTES**

**SUBMITTAL**

DATE: 01/12/17 BY: LB FOR APPROVAL

**REVISIONS**

DATE: BY: FOR:

**PROJECT:**

**LION WOODS GOLF & COUNTRY CLUB**  
123 Lion Drive  
BLOOMINGDALE, NEW JERSEY 07001

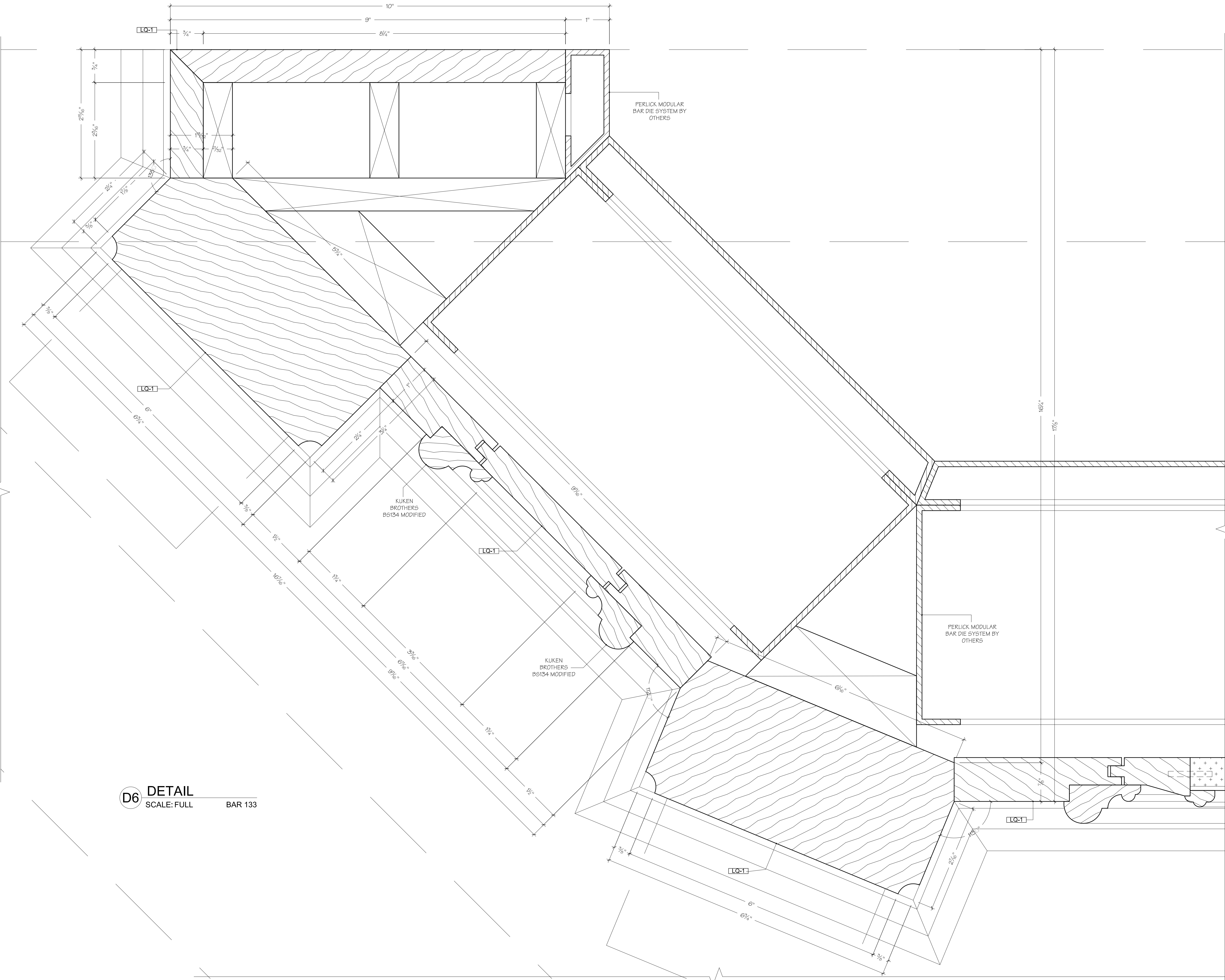
**TITLE:** BAR

**ARCHITECT:** SHARP POINT ARCHITECTURE, NY  
125 Main Street, Ocean Side, NY 01000

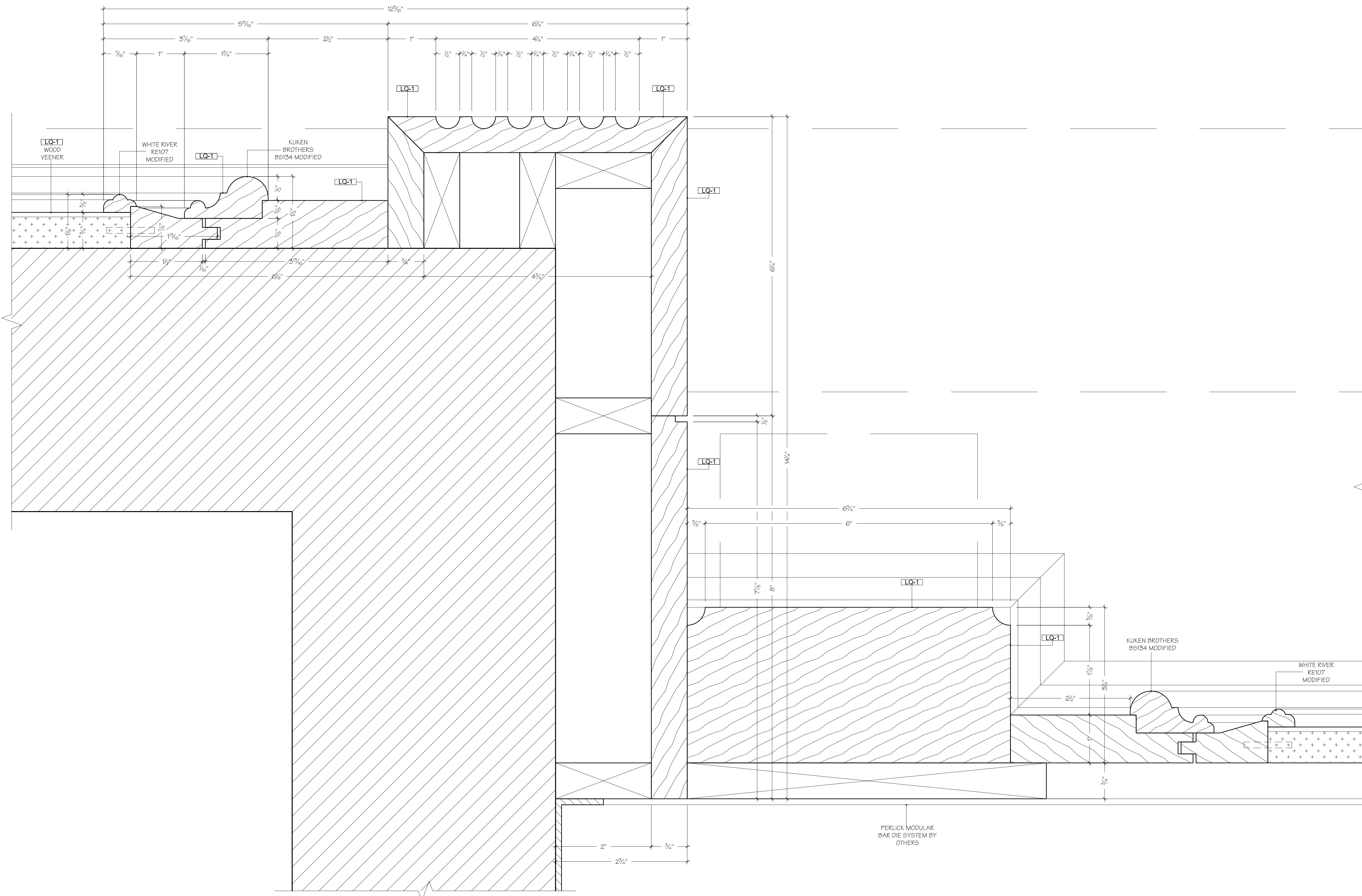
**DESIGNER:**

DRAWN BY: LB DATE: 01/12/17 PAGE:

SCALE: AS NOTED JOB NO: ED-01217-123 1.09



**D6 DETAIL**  
SCALE: FULL  
BAR 133



**MATERIALS**

LQ-1	LACQUER FINISH, COLOR TO MATCH EXISTING BAR.
SS-1	SOLID SURFACE, TO MATCH EXISTING BAR.
WD-3	
WD-4	
WD-5	
WD-6	
WD-7	

**HARDWARE**

H-1	KEGWORKS, 2" BAR FOOT RAIL (920-2P), RAIL BRACKET (76913-2), DECORATIVE EXTERNAL END CAP (76909-2), POLISHED BRASS
H-2	HAFELE GLASS SHELF SUPPORT, 292.24.731
H-3	
H-4	
H-5	
H-6	
H-7	

**FINISHES**

F-1	
F-2	
F-3	

**SPECIAL NOTES**

**SUBMITTAL**

DATE:	BY:	FOR:
01/12/17	LB	FOR APPROVAL

**REVISIONS**

DATE:	BY:	FOR:

**PROJECT:**

**LION WOODS GOLF & COUNTRY CLUB**  
123 Lion Drive  
BLOOMINGDALE, NEW JERSEY 07001

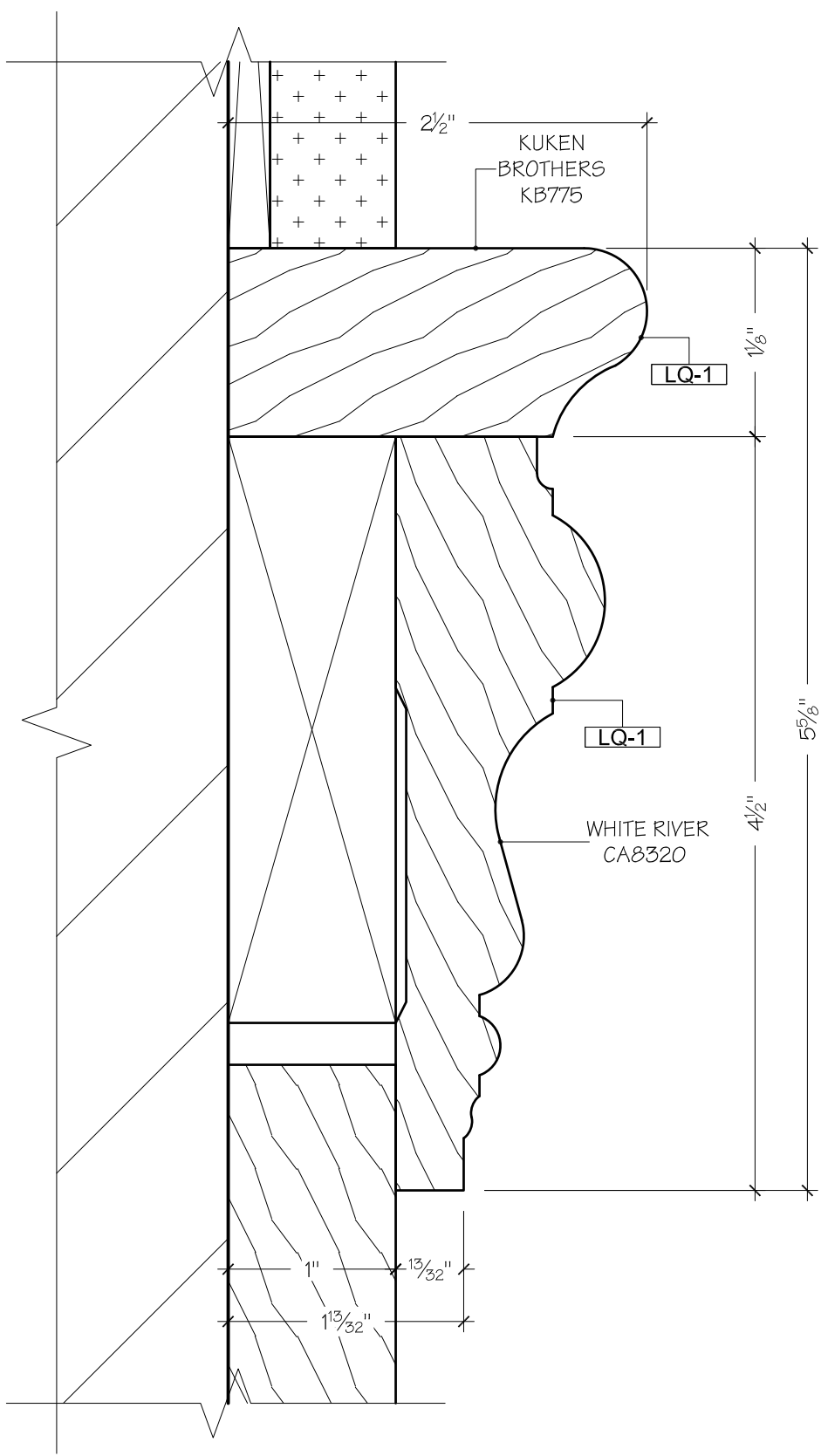
**TITLE:** BAR

**ARCHITECT:**  
SHARP POINT ARCHITECTURE, NY  
125 Main Street, Ocean Side, NY 01000

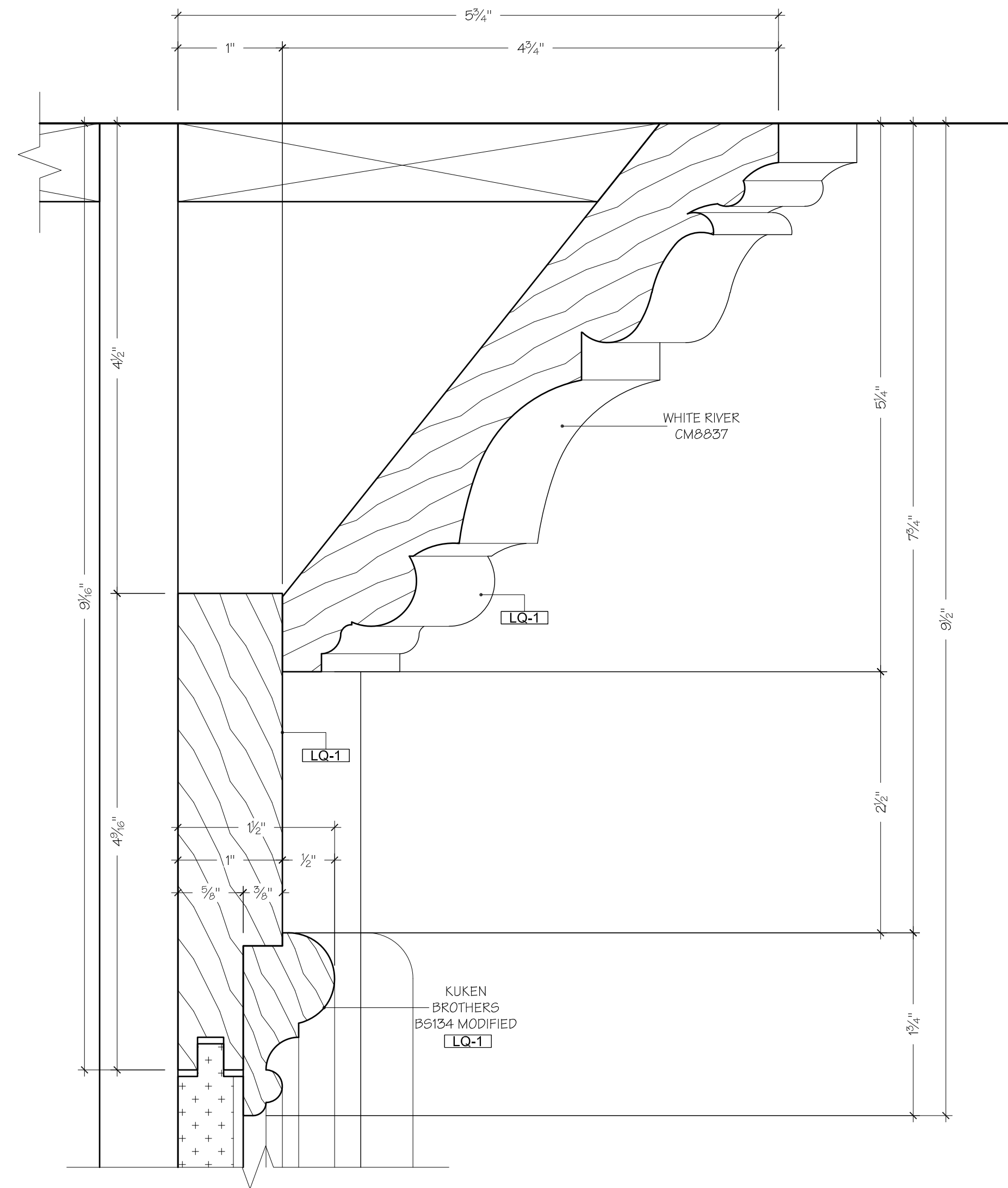
**DESIGNER:**

DRAWN BY:	LB	DATE:	01/12/17	PAGE:	
SCALE:	AS NOTED	JOB NO:	ED-0127-123		<b>1.10</b>

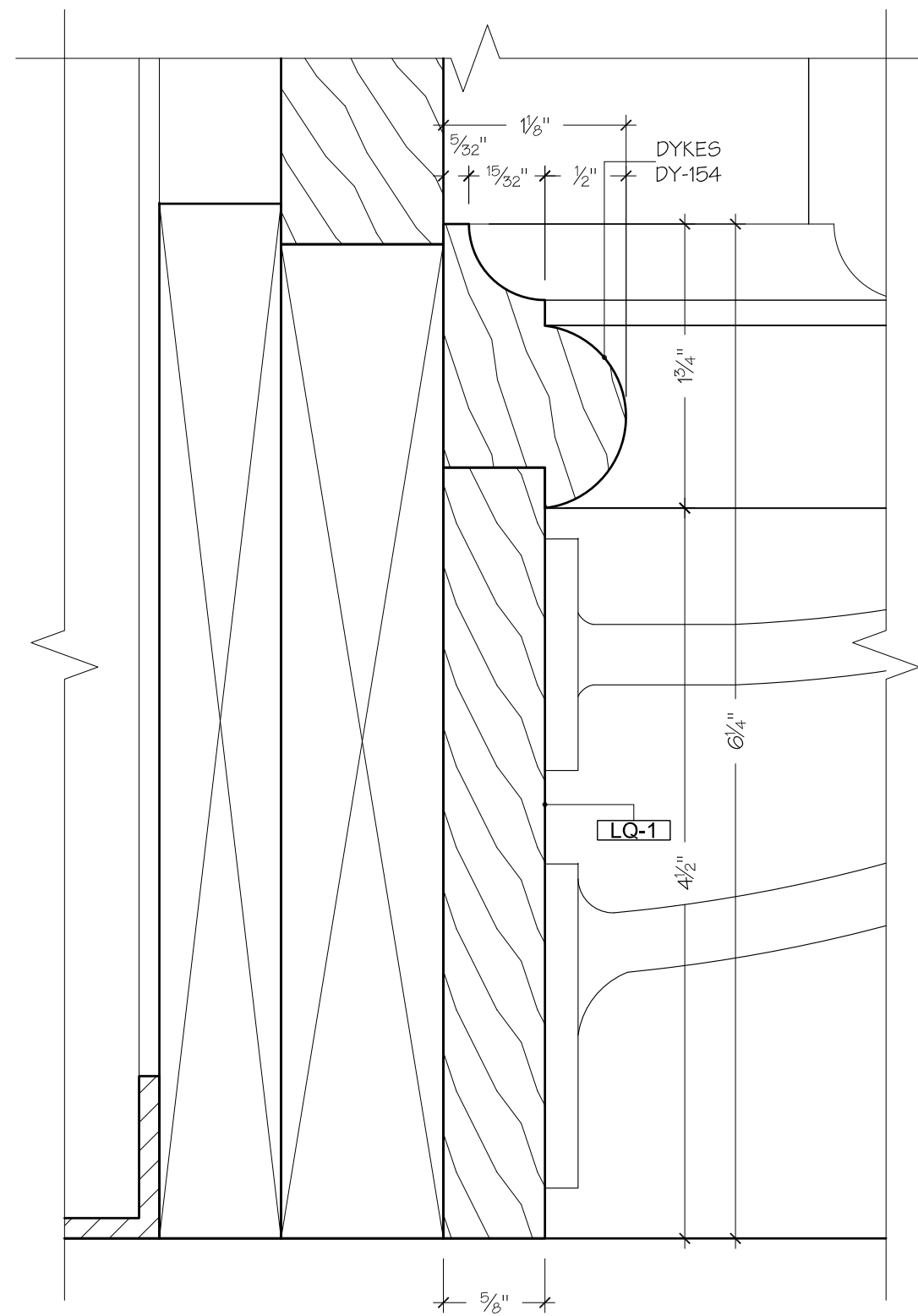
**D7 DETAIL**  
SCALE: FULL BAR 133



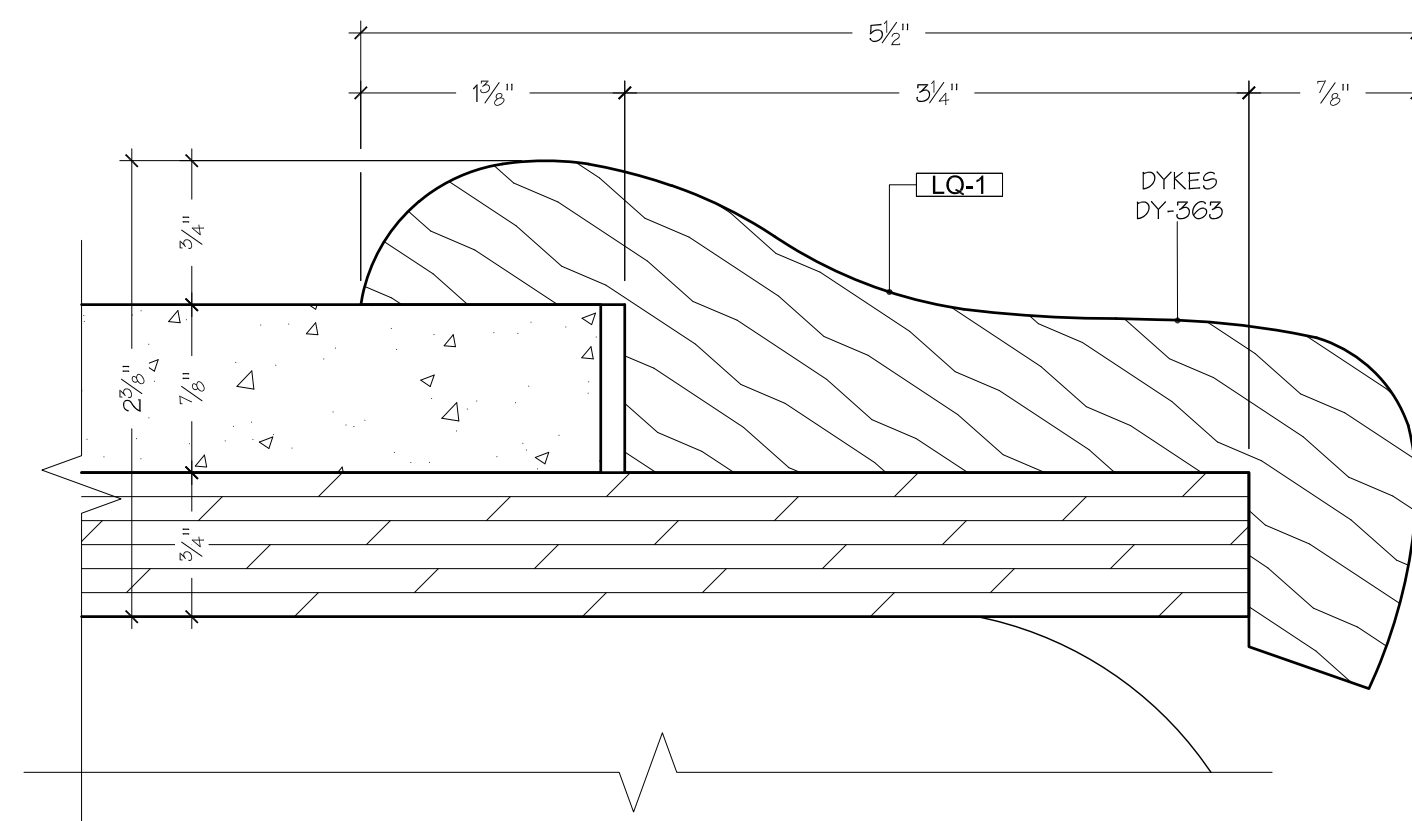
**D8** DETAIL  
SCALE: FULL BAR 133



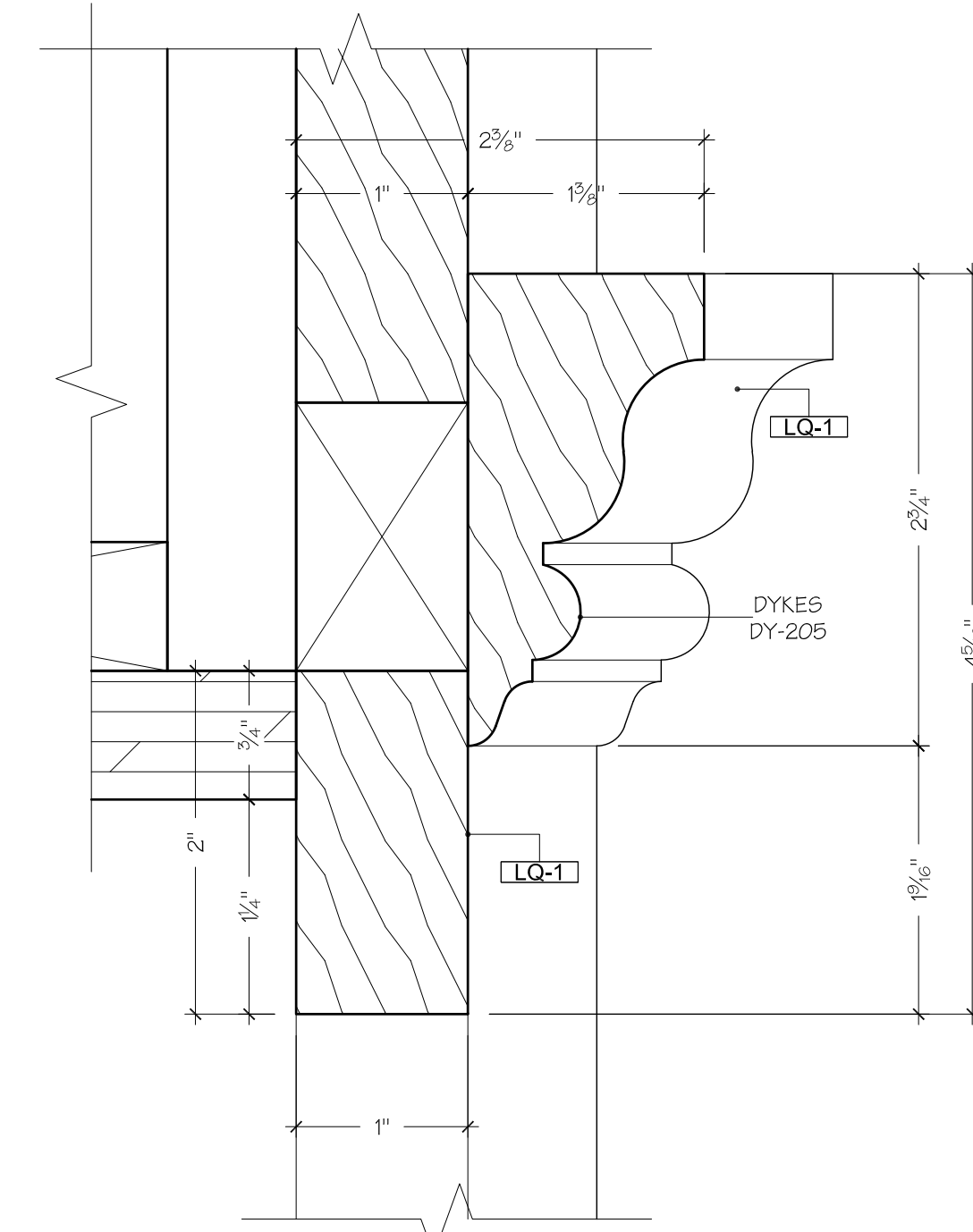
**D9** DETAIL  
SCALE: FULL BAR 133



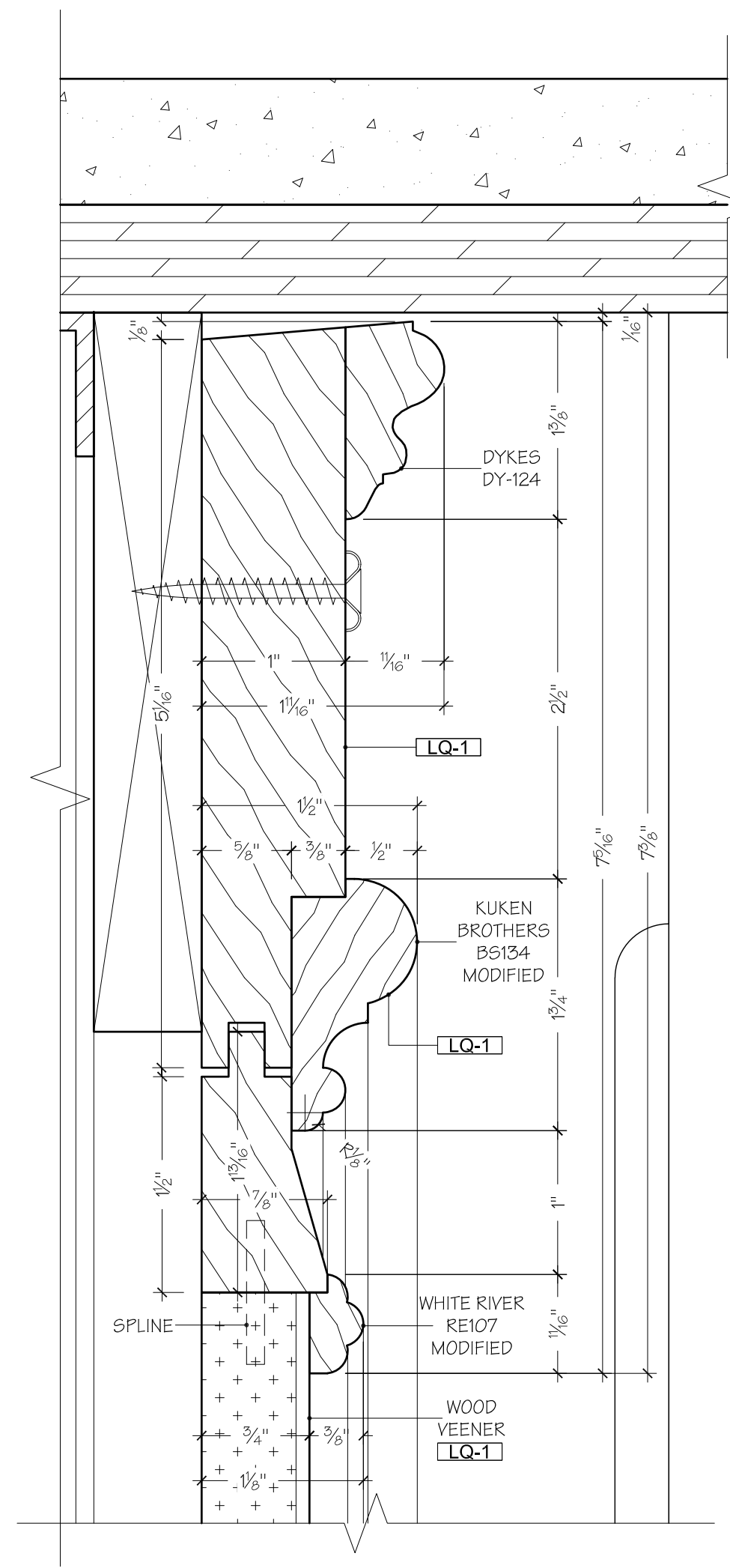
**D11** DETAIL  
SCALE: FULL BAR 133



**D12** DETAIL  
SCALE: FULL BAR 133



**D10** DETAIL  
SCALE: FULL BAR 133



**D13** DETAIL  
SCALE: FULL BAR 133

MATERIALS

LQ-1	LACQUER FINISH, COLOR TO MATCH EXISTING BAR.
SS-1	SOLID SURFACE, TO MATCH EXISTING BAR.
WD-3	
WD-4	
WD-5	
WD-6	
WD-7	

HARDWARE

H-1	KEGWORKS, 2" BAR FOOT RAIL (920-2P), RAIL BRACKET (76913-2), DECORATIVE EXTERNAL END CAP (76909-2), POLISHED BRASS
H-2	HAFELE GLASS SHELF SUPPORT, 292.24.731
H-3	
H-4	
H-5	
H-6	
H-7	

FINISHES

F-1	
F-2	
F-3	

SPECIAL NOTES


SUBMITTAL

DATE:	BY:	FOR:
01/12/17	LB	FOR APPROVAL

REVISIONS

DATE:	BY:	FOR:

PROJECT:

LION WOODS GOLF & COUNTRY CLUB  
123 Lion Drive  
BLOOMINGDALE, NEW JERSEY 07001

TITLE:

BAR  
ARCHITECT:  
SHARP POINT ARCHITECTURE, NY  
125 Main Street, Ocean Side, NY 01000

DESIGNER: