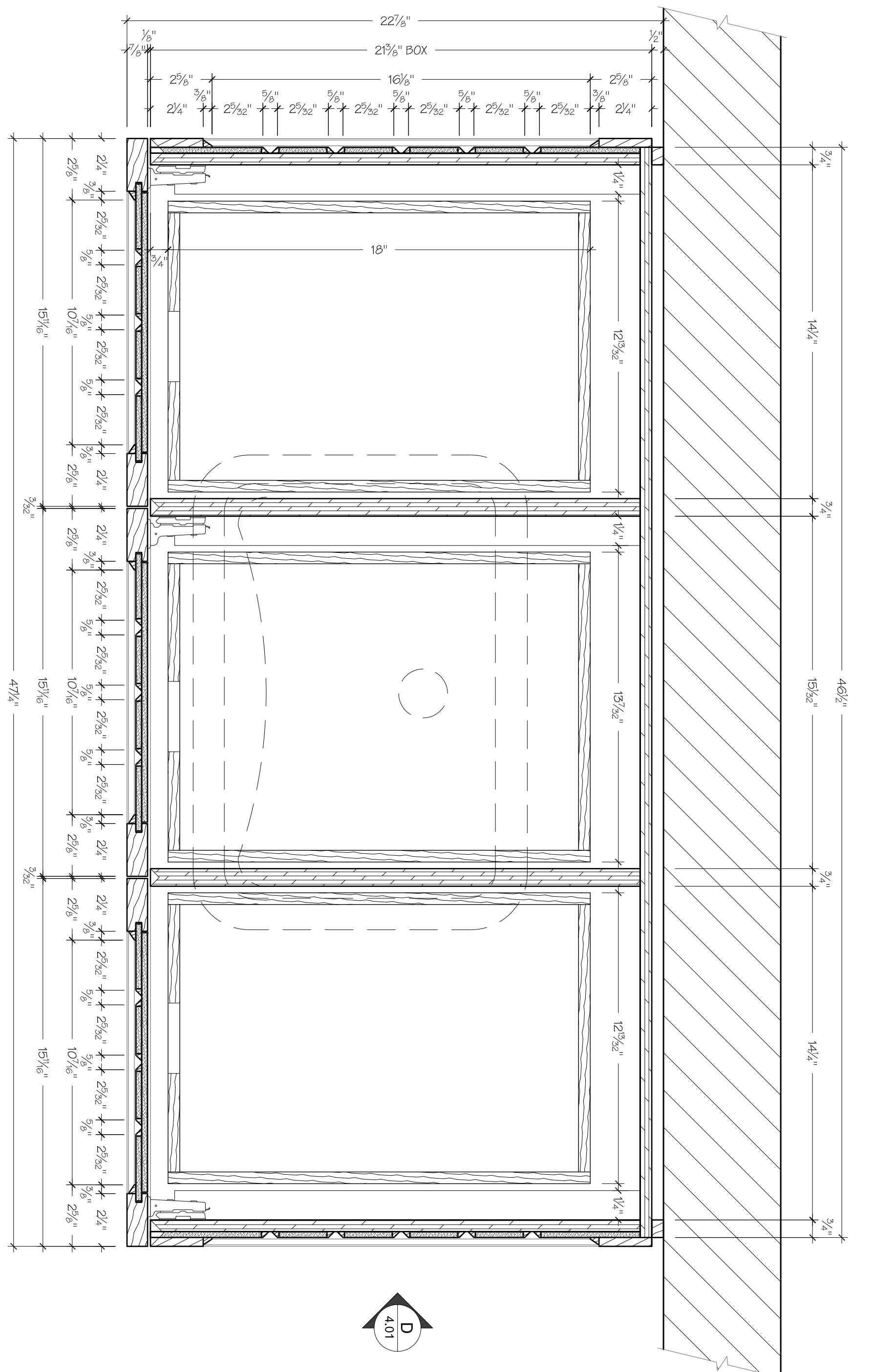
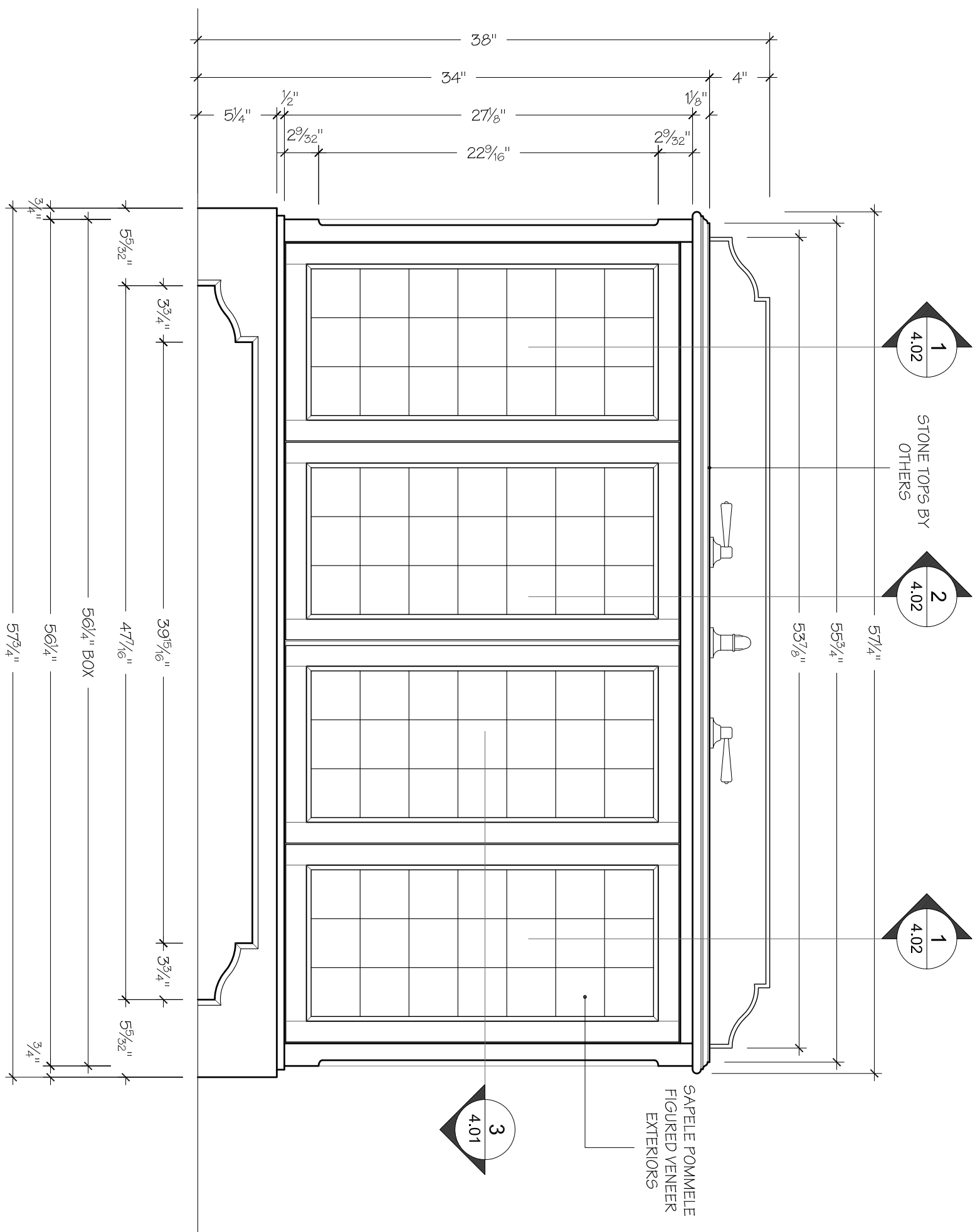


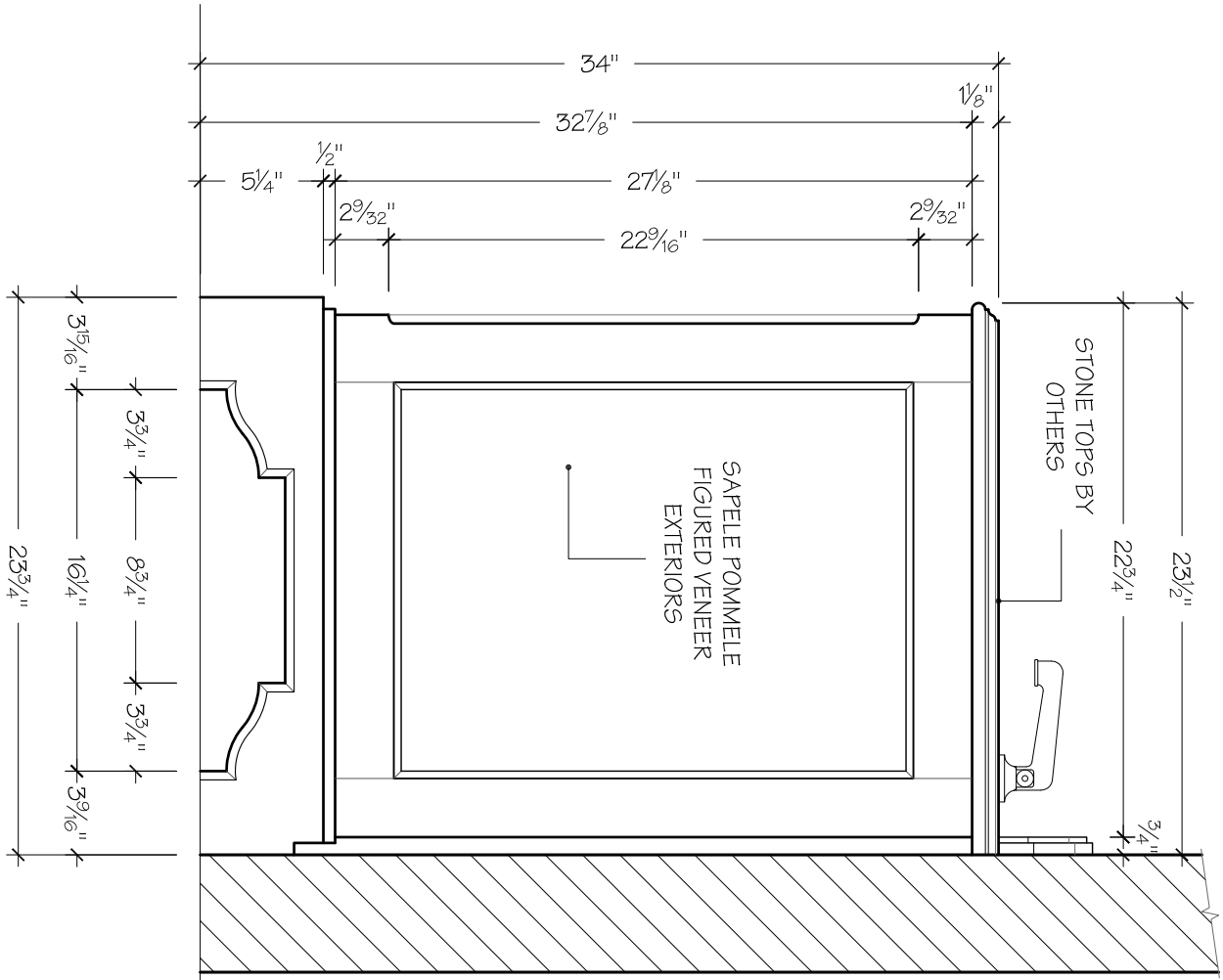
SECTION PLAN
A
SCALE: 3" = 1'-0"
VANITY
GUEST BATH



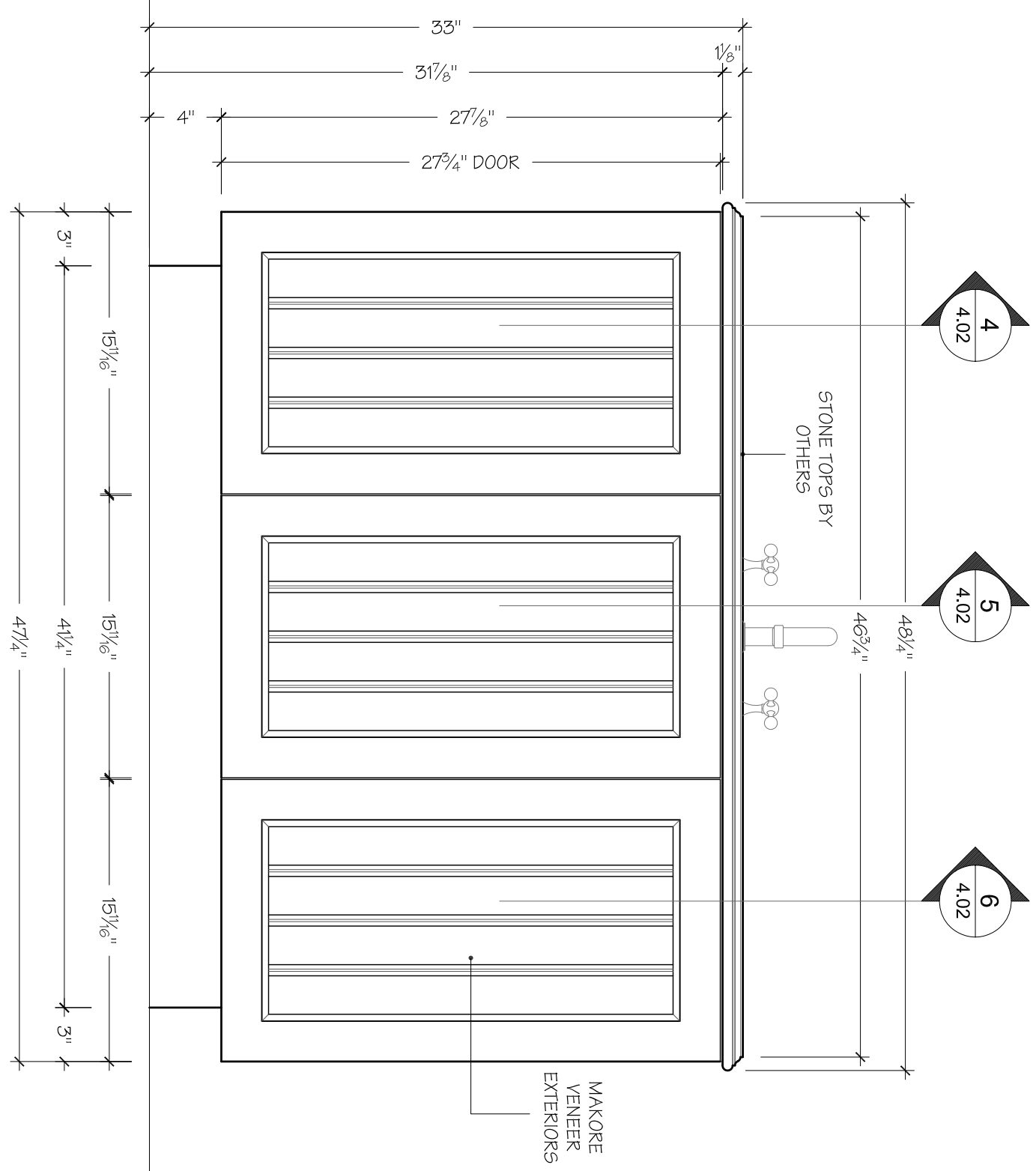
SECTION PLAN
C
SCALE: 3" = 1'-0"
VANITY
GYM BATH



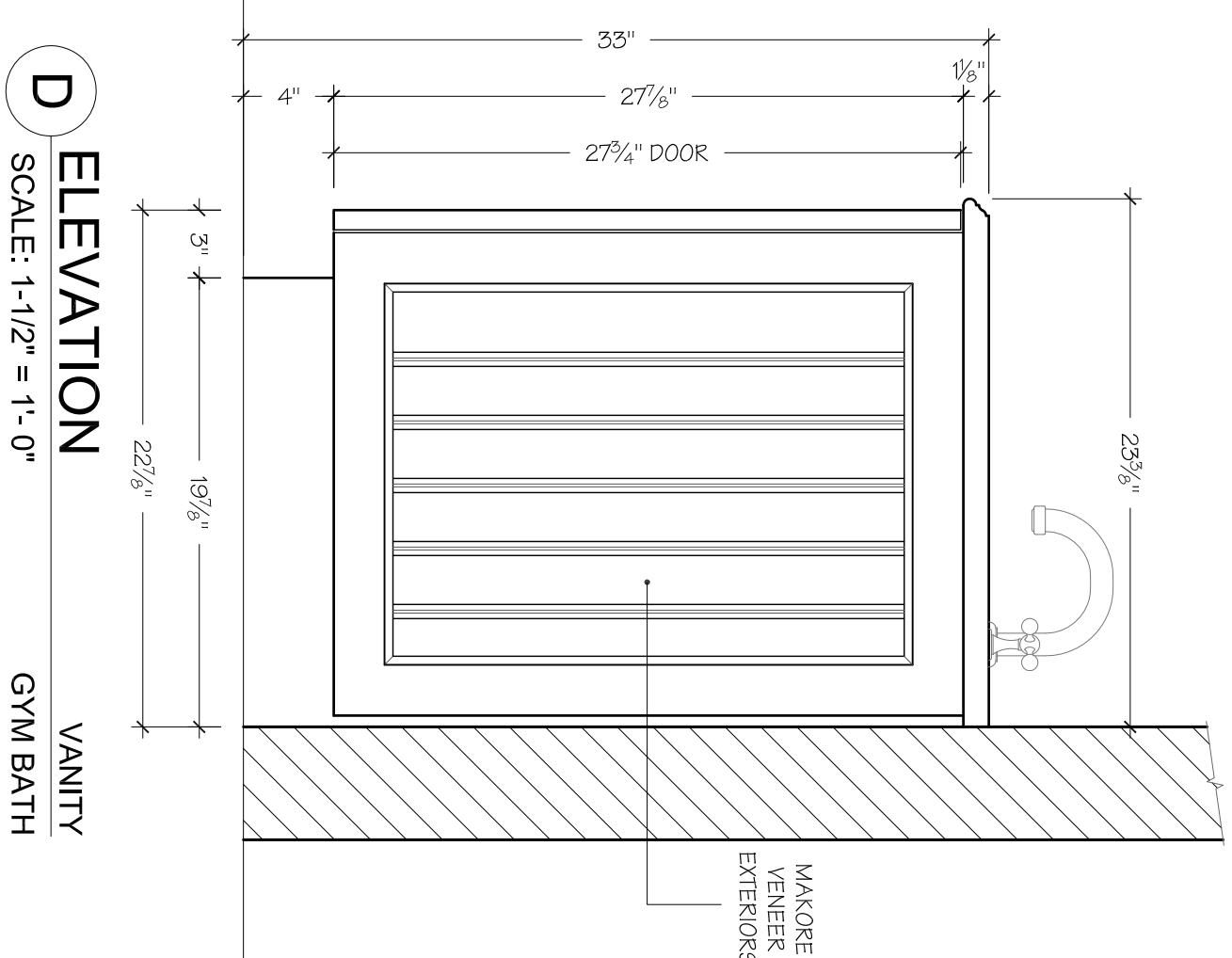
ELEVATION
A
SCALE: 1-1/2" = 1'-0"
VANITY
GUEST BATH



ELEVATION
B
SCALE: 1-1/2" = 1'-0"
VANITY
GUEST BATH



ELEVATION
C
SCALE: 1-1/2" = 1'-0"
VANITY
GYM BATH



ELEVATION
D
SCALE: 1-1/2" = 1'-0"
VANITY
GYM BATH

FOR: CUSTOMER RESIDENCE 1234 OAKSIDE ROAD, OAKWOOD, NJ, 07000		JOB NO. 1234	DATE: 03/13/2006	FINISHES: Exterior: TO MATCH APPROVED SAMPLE Interior: STAINED TO MATCH EXTERIOR	HARDWARE: Hinges: GRASS THICK DOORBUTT HINGES Slides: SALICE THICK DOOR HINGES	SPECIAL NOTES: Thank you for visiting cadcabins.com
TITLE: VANITIES		DWG. NO. 4.01	SCALE: AS NOTED	MATERIALS: Exterior: SAPPELE POMMELE, MAKORE Interior: MAHOAGANY PLYWOOD	Slides: BLUM UNDERMOUNTED SLIDES 18" Pulls: BLUM UNDERMOUNTED SLIDES 21"	<input type="checkbox"/> PRELIMINARY DRAWING <input checked="" type="checkbox"/> FINAL DRAWING APPROVED FOR CONSTRUCTION
ARCH: DRAFTING & DESIGN BY MIKHAIL	CONTRACTOR:		DWG. BY: M.T.	Other:		DRAFTING & DESIGN by Mikhail www.cadcabins.com Bloomfield, NJ 07003 (973)748-5083